

# Dry Bilge Pump



**PUMPS DOWN TO 1/8" (3 MM)**

**RULE OFFERS THE SOLUTION SO YOU CAN HAVE A DRY BILGE**

**Our new Rule  
bilge pump gets  
the last of the  
water out.**



**A Dry Bilge is a clean, odorless bilge.**

Rule now offers the best, most effective method of removing almost all of the water in your bilge, leaving 1/8" or less, keeping your bilge fresh, clean, and dry.

**Features**

- Drains the bilge almost dry
- Filter-free design
- Self-priming to 9.5' (3 m)
- Able to run dry without damaging the pump
- Up to 4.0 GPM (15 LPM) flow
- Back flow prevention
- Connections for 3/4" (19 mm) hose barsbs
- Rotating pump head and ports
- Compact and simple design
- 3/4" (19 mm), plastic, 90° thru-hull fitting included

**The Rule Brand builds on over 50 years of excellence with a broad range of solutions for the marine industry.**

# Rule DB Dry Bilge Pump

The 360° rotation of this pump head gives this pump true installation flexibility.



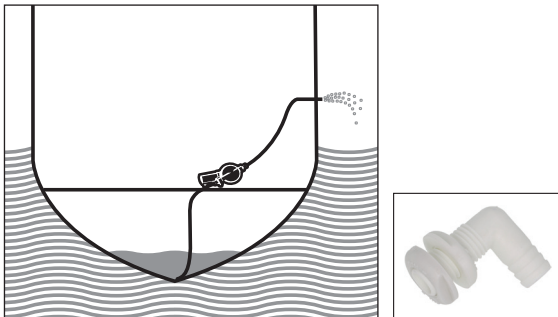
## Specifications

Model	Description	Voltage	Fuse Size	Max Amp Draw	Ports	Flow	Head	Suction Lift	Control Panel Switch
DB412	Bilge Pump	12VDC	10A	8 Amps	3/4" (19 mm)	4.0 GPM (15 LPM)	10' (3 m)	9.5' (3 m)	Included

## Relevant Standards

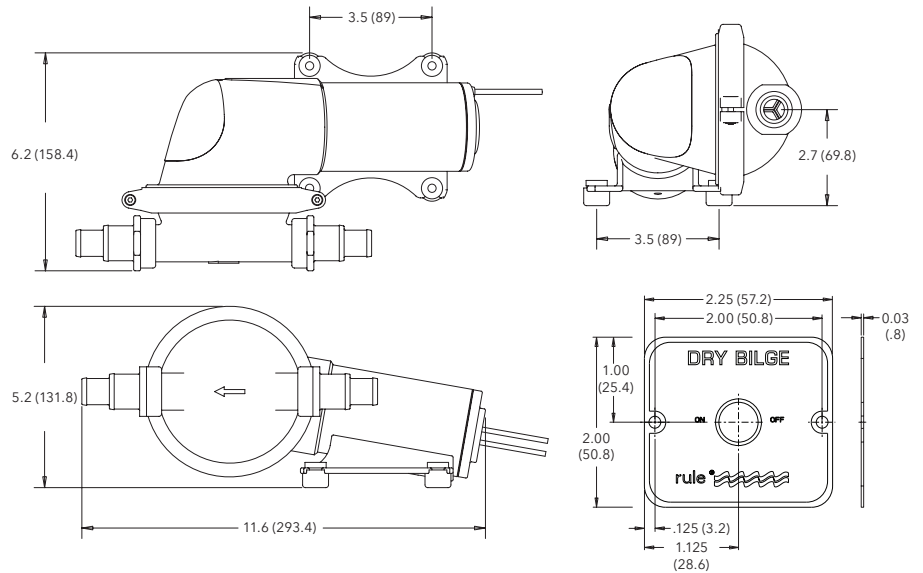
- ISO 8846 MARINE Ignition Protection
- ISO 8849 MARINE Bilge Pump Standard
- Built to ISO 15083 Specification
- ISO 10133

## Typical Application



Thru-hull fitting

## Dimensional Drawings inches (mm)



Warranty: All products of the company are sold and all services of the company are offered subject to the company's warranty and terms and conditions of sale, copies of which will be furnished upon request. The information provided herein is for guidance only, it does not constitute a guarantee of the performance or specification of any individual product or component.

[www.xylem.com/rule](http://www.xylem.com/rule)

### USA

Xylem Inc.  
100 Cummings Center Dr.  
Suite 535-N  
Beverly MA, 01915  
Tel: +1 978 281 0440  
Fax: +1 978 283 2619

### UK

Xylem Inc.  
Bingley Road, Hoddesdon  
Hertfordshire EN11 0BU  
Tel: +44 (0) 1992 450145  
Fax: +44 (0) 1992 467132

### CHINA

Xylem Inc.  
30/F Tower A  
100 Zunyi Road  
Shanghai, China 200051  
Tel: +86 21 2208 2888  
Fax: +86 21 2208 2999

### GERMANY

Xylem Inc.  
Oststrasse 28  
22844 Norderstedt  
Tel: +49 40 53 53 73 0  
Fax: +49 40 53 53 73 11

### ITALY

Xylem Inc.  
Via Tommaseo, 6  
20059 Vimercate, Milano  
Tel: +39 039 685 2323  
Fax: +39 039 666 307