



samlexsolar®

100-150W



Solar Panel Kits

Model
SSP-100-KIT
100 Watts
SSP-150-KIT
150 Watts

Design Features

Use the Samlex Solar Panel Kit with a Samlex Solar Charge controller for a flexible installation, configured the way you want it or as an expansion panel for an existing solar system.

- High efficiency crystalline solar cells
- Low profile panel design
- All weather Anodized aluminum and Tempered Glass construction
- 25 year Power Warranty
- Top quality cable & mounting hardware

Kit Includes:

1. High Efficiency Solar Panel
2. Connecting Wires
3. Mounting Brackets & Hardware

SOLAR PANEL SPECIFICATIONS: PARAMETER	SSP-150-KIT	SSP-100-KIT
NOMINAL MAXIMUM POWER AT STC, Pmax	150W ± 3%	100W ± 3%
MAXIMUM POWER VOLTAGE, Vmp	18.38V	17.8V
MAXIMUM POWER CURRENT, Imp	8.16A	5.62A
OPEN CIRCUIT VOLTAGE, Voc	22.68V	21.3V
SHORT CIRCUIT CURRENT, Isc	8.82A	6.07A
MODULE EFFICIENCY	15.42%	15.97%
TYPE OF CELLS	Polycrystalline	Monocrystalline
NO OF CELLS	36	36
MAXIMUM SYSTEM VOLTAGE	UL-1703: 600VDC; IEC-61215 / 61730: 1000VDC	
SERIES FUSE RATING	15A	10A
TERMINAL BOX	IP-65 with 2 Bypass Diodes; Cable 4mm ² with MC4 Compatible Connectors	
OPERATING TEMPERATURE	- 40°C to + 85°C / - 40°F to +185°F	
DIMENSIONS	660 x 1474 x 35.2 mm / 26 x 58.03 x 1.39 in	552 x 1200 x 35 mm / 21.73 x 47.25 x 1.39 in
WEIGHT	12 Kg / 26.4 lb	8 Kg / 17.63 lb
STC	Irradiance Level: 1000 W/M ² ; Spectrum: AM 1.5 Cell Temperature: 25°C / 77°F	
TEMPERATURE COEFFICIENT OF CURRENT, Isc	+ 0.08% / °C	+ 0.05% / °C
TEMPERATURE COEFFICIENT OF VOLTAGE, Voc	- 0.34% / °C	- 0.33% / °C
TEMPERATURE COEFFICIENT OF POWER, Pmax	-0.43% / °C	-0.23% / °C

NOTE: Specifications are subject to change without notice

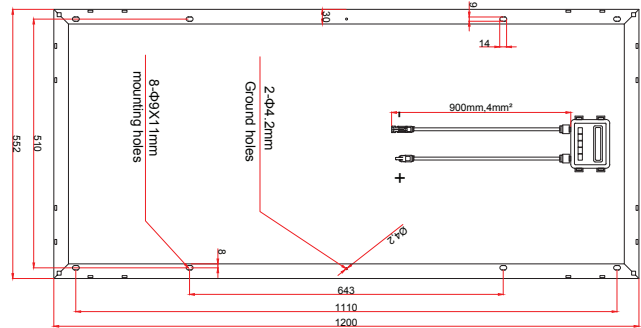
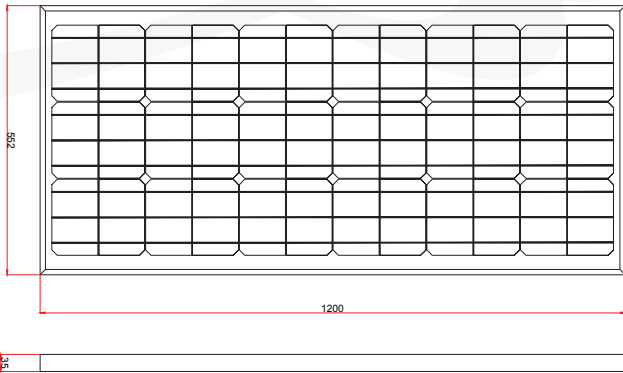
Over ▶



samlexsolar® 100-150W

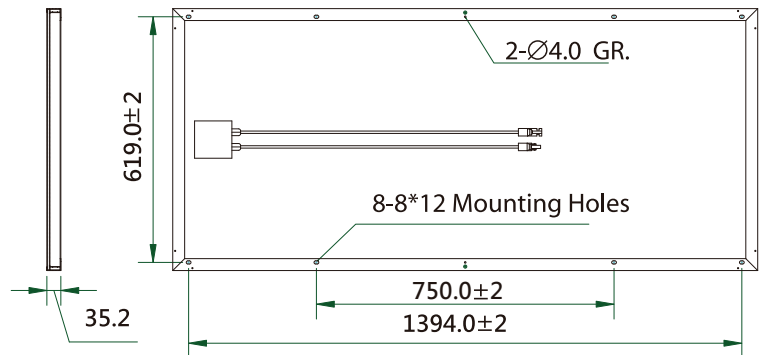
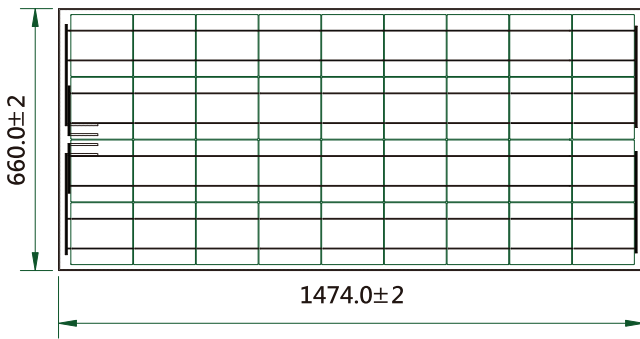
Solar Panel Kits

Model
 SSP-100-KIT
 100 Watts
 SSP-150-KIT
 150 Watts



(All dimensions are in mm)

SSP-100-KIT Solar Panel Dimensions



(All dimensions are in mm)

SSP-150-KIT Solar Panel Dimensions

NOTE: Specifications are subject to change without notice

12020-SSP-100-150-KIT-0319