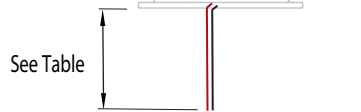
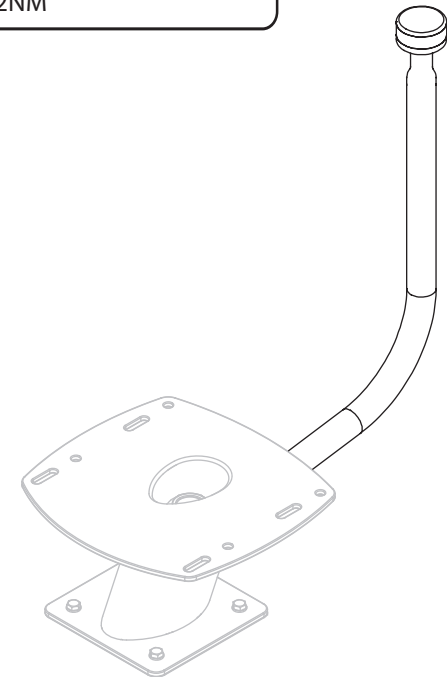
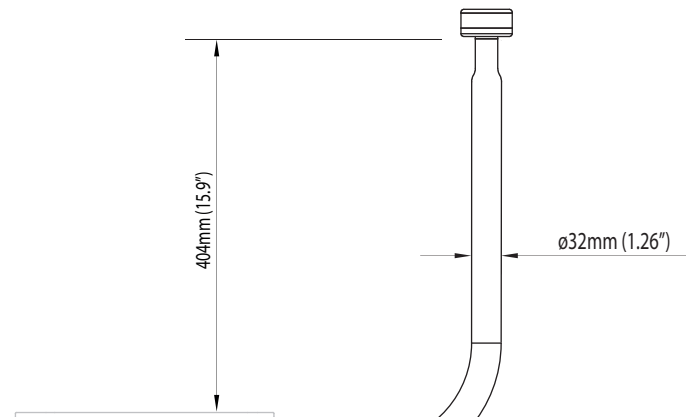
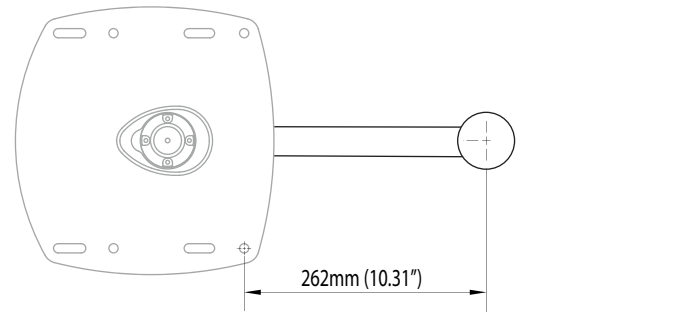


Light Bar with Light (APT-LB-L1)

Email: sales@scanstrut.com Email: usasales@scanstrut.com

All Round White LED Light
 Input Voltage: 12V
 Visibility: 2 miles
 IP Protection: IP 56 - IP67
 COLREG 1972 Approved
 USCG 2NM

COMPATIBLE WITH
APT-150-01
APT-250-01
APT-150-02
APT-250-02



Spare Cable Length	
From End of APT-LB-L1	500mm/17.7"
Below APT-150 Baseplate	420mm/16.5"
Below APT-250 Baseplate	300mm/11.8"

