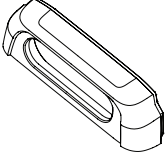
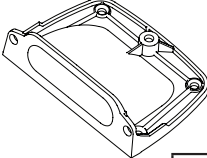
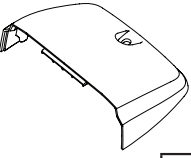
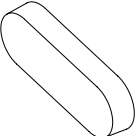
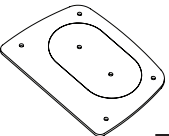

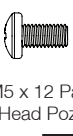
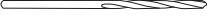



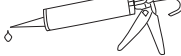



Parts List

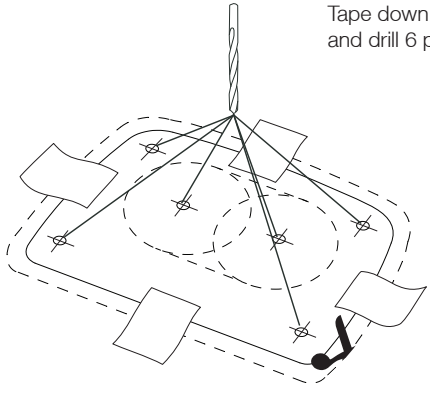
		
Front x1	Base x1	Cover x1
		
Bung x1	Gasket x1	No.6 x 19 Self Tapping x4
		
		M5 x 12 Pan Head Pozi x3

Tools Required

		
Ø2.5mm (3/32") Ø3mm (1/8") Ø4mm (5/32") Drill Bit	Ø44mm (1 1/4") Hole Saw/ Drill Bit	Deburrer (Recommended)
		
Pozi PZ2 Screwdriver	Silicone	Jig Saw

①

Tape down cutting template and drill 6 pilot holes.

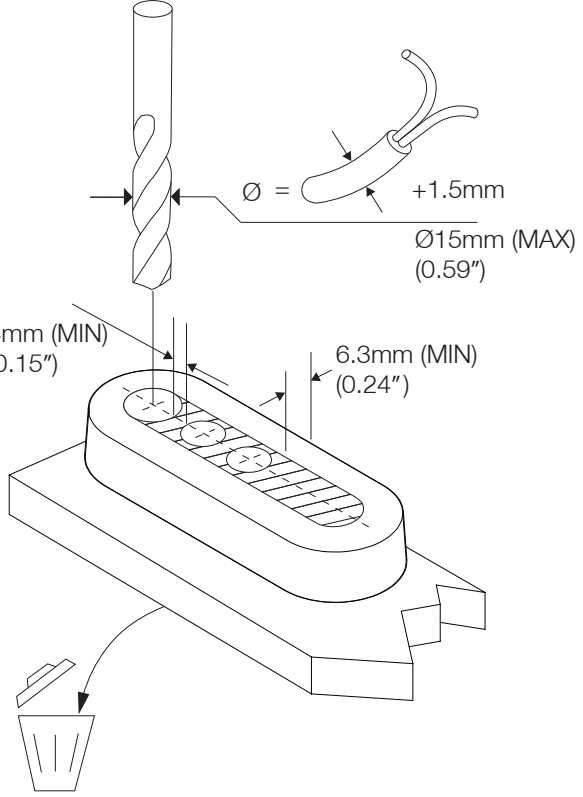


Material	Drill	Fixing
<b>Soft Material</b> e.g. plywood	2.5mm (3/32")	No.6 Screw (included)
<b>Hard Material</b> e.g. fiberglass, hardwoods, acrylics	3mm (1/8")	
<b>Metal</b> e.g. Steel, aluminium	4mm (5/32")	<u>Recommended</u> >12mm x M4 Countersunk Bolt with washer and Nyloc (Not included)

④

Tip : Drill on scrap material. Freeze bung before drilling.

-18°C



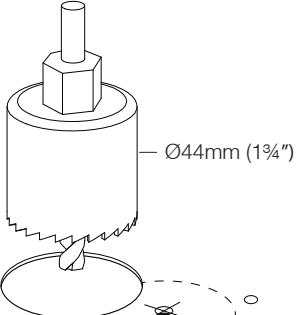
Ø = +1.5mm  
Ø15mm (MAX)  
(0.59")

4mm (MIN)  
(0.15")

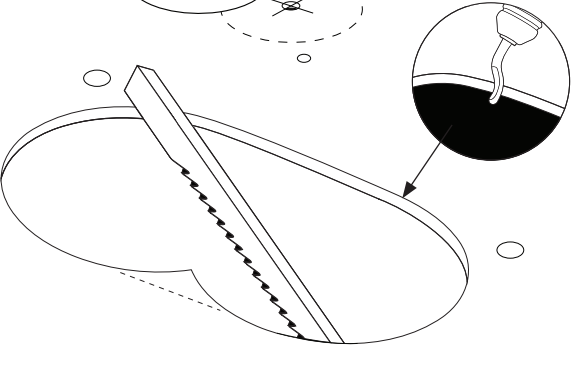
6.3mm (MIN)  
(0.24")

②

Ø44mm (1 1/4")



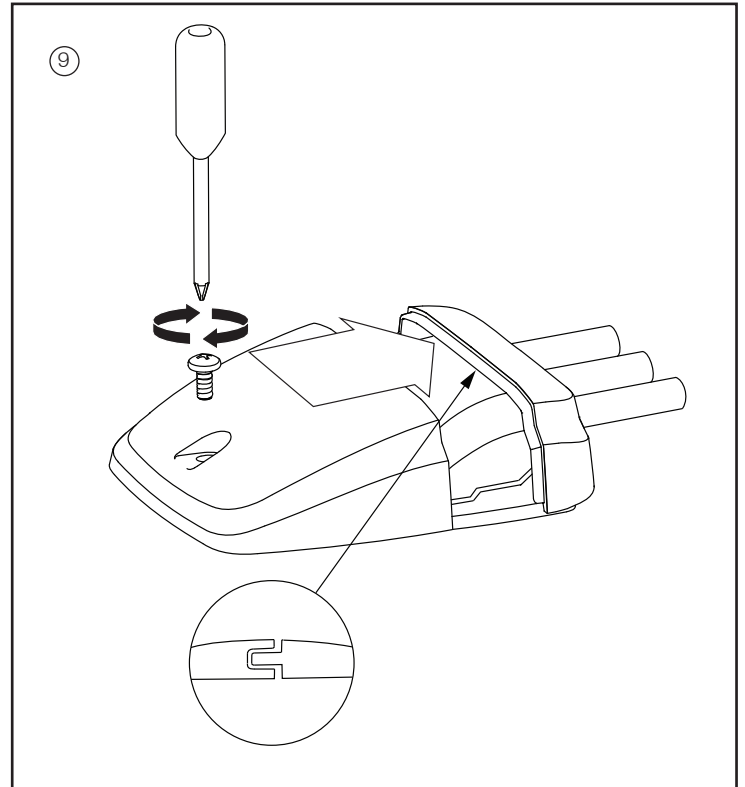
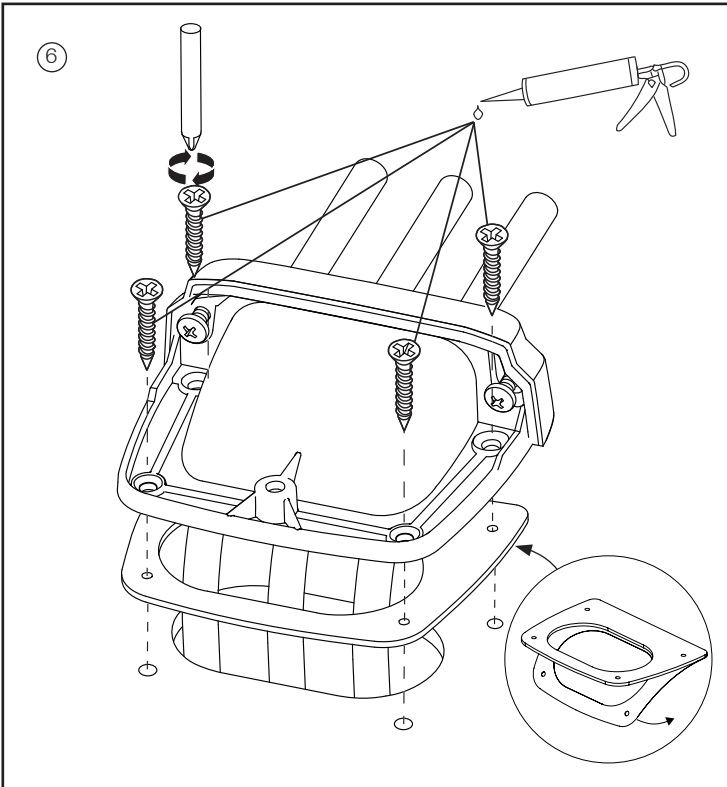
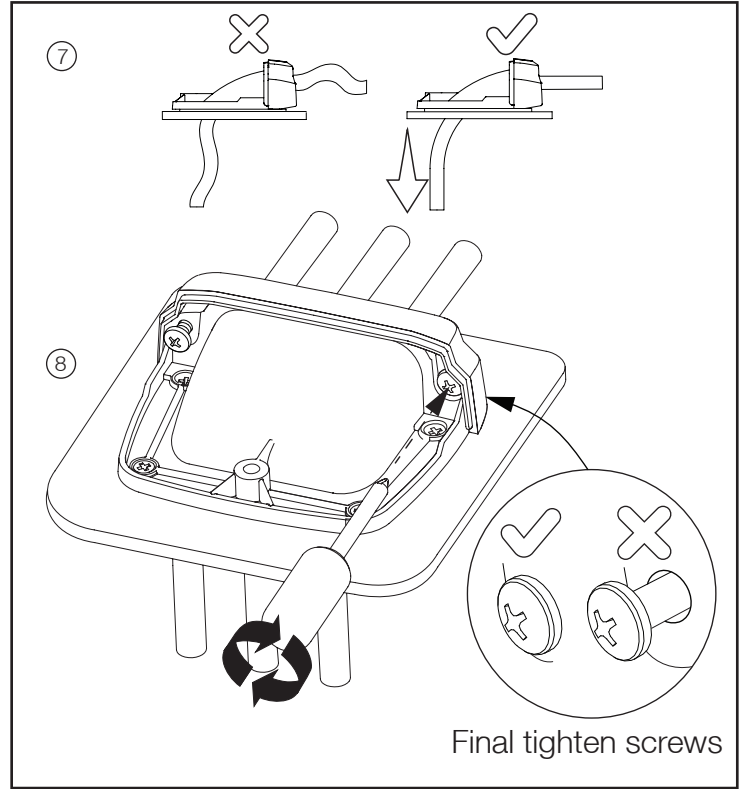
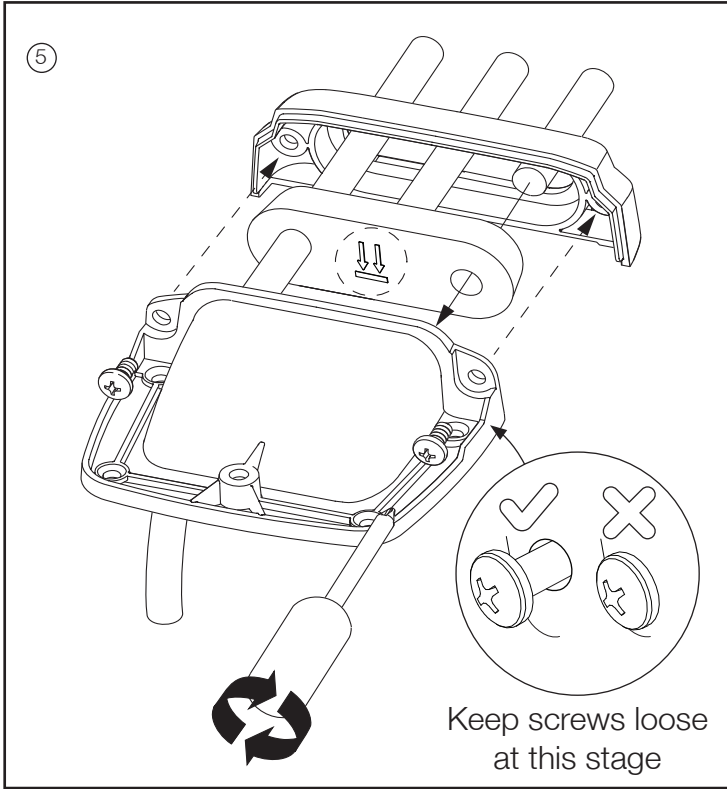
③



UK & International  
+44 (0)1392531280  
sales@scanstrut.com

For further installation  
and warranty information  
please visit:  
www.scanstrut.com

USA  
+1 860 308 1416  
usasales@scanstrut.com



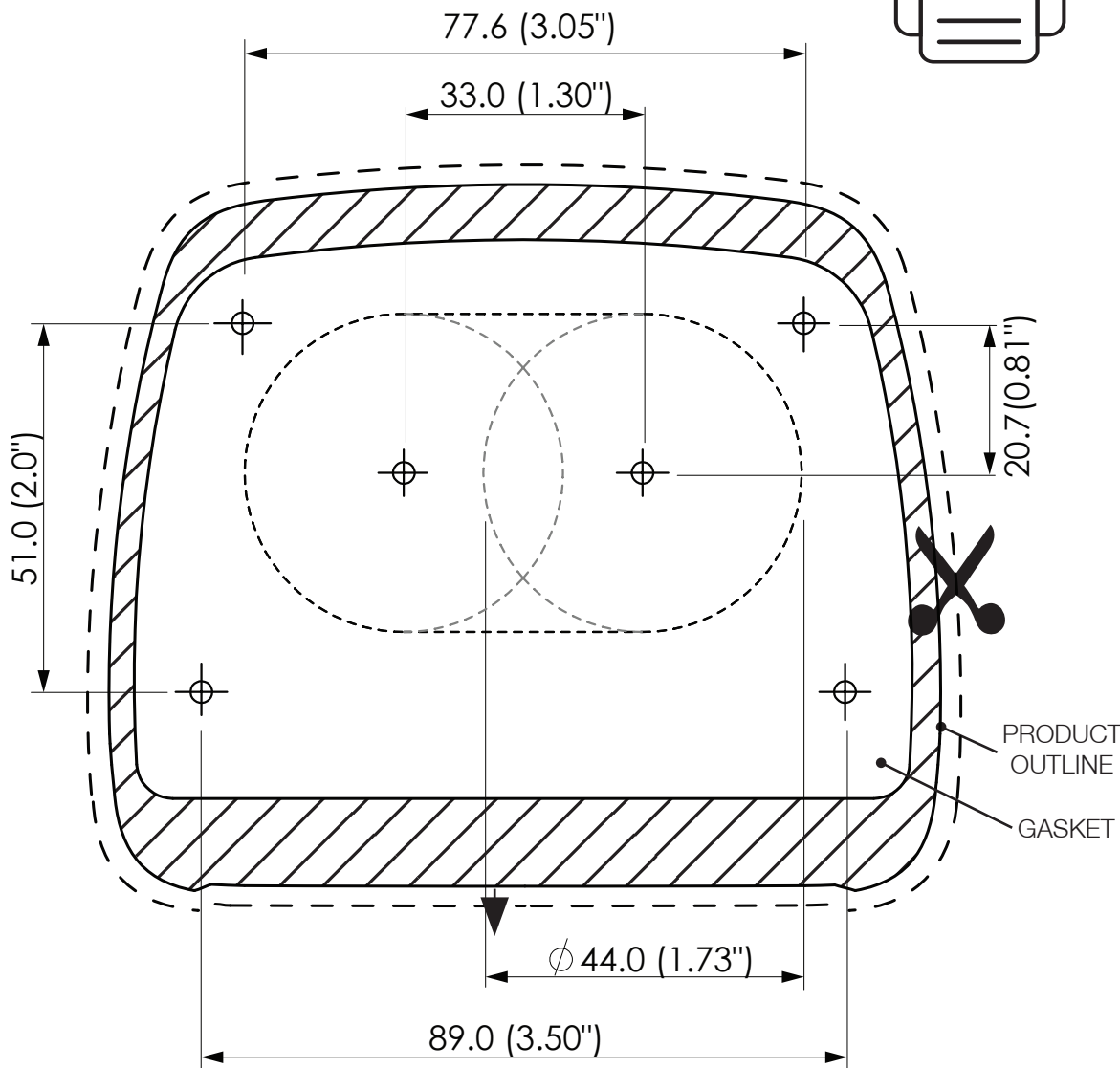
UK & International  
+44 (0)1392531280  
sales@scanstrut.com

For further installation  
and warranty information  
please visit:  
www.scanstrut.com

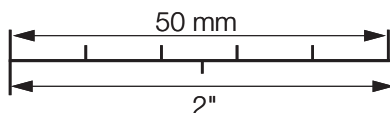
USA  
+1 860 308 1416  
usasales@scanstrut.com

### Cutting Template

Print document 1:1 scale  
for correct cutting template size.



Warning Check Scale



UK & International  
+44 (0)1392531280  
sales@scanstrut.com

For further installation  
and warranty information  
please visit:  
www.scanstrut.com

USA  
+1 860 308 1416  
usasales@scanstrut.com

# SCANSTRUT®