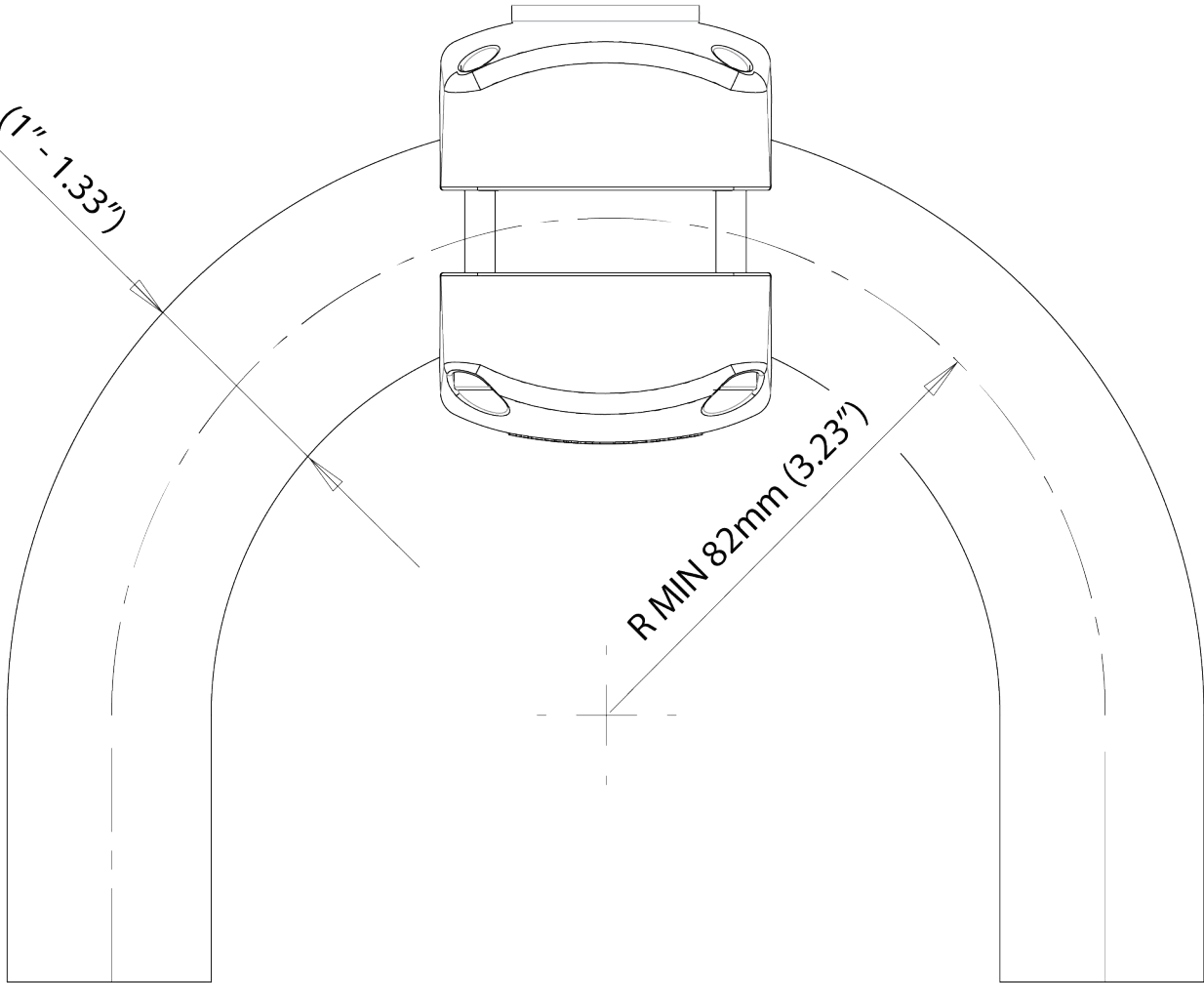


$\varnothing 25 - 33.7\text{mm}$ (1" - 1.33")



R MIN 82mm (3.23")