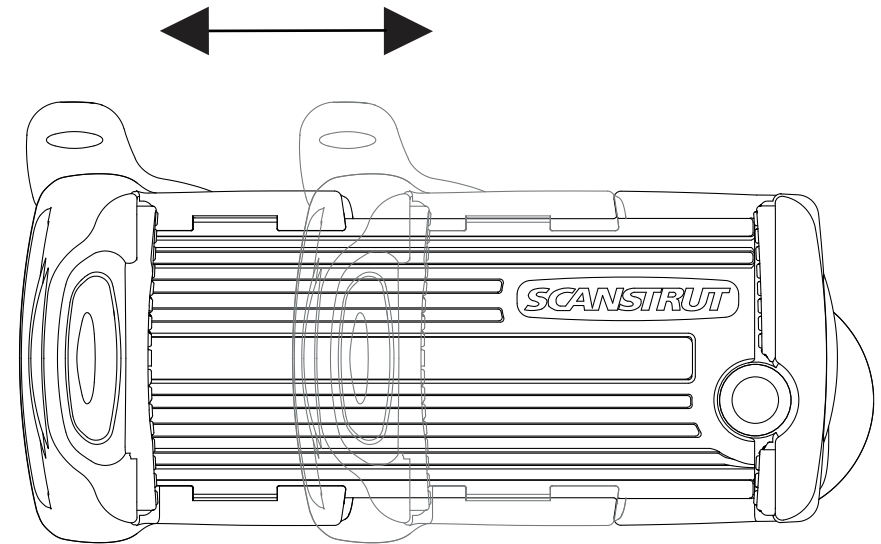
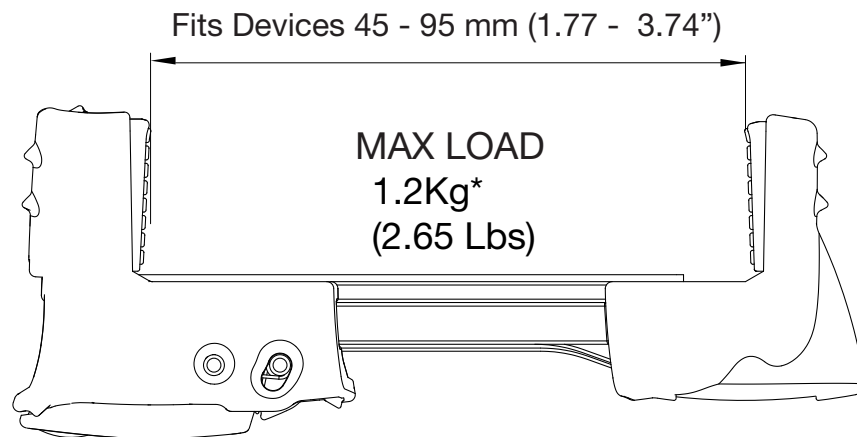


Universal Phone Clamp RL-509

For help & information
email: technical@scanstrut.com
tel: +44 (0) 1803 863800



*assuming product is installed in a dynamic environment where accelerations of up to 6g will be experienced



SCANSTRUT
designed for life at sea