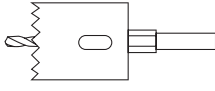







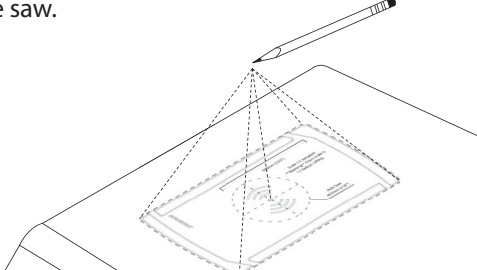
Technical Information	
Scanstrut ROKK Wireless - Catch	
Max phone size: 176mm (6.92") x 94mm (3.70") (Including case)	
Wireless charger (SC-CW-07F)	
Input voltage range :	10-30V DC (12/24V system)
Input current max:	2A
Output power:	10W (9V 1.1A)
Standby current draw:	< 0.2W
Certifications:	Qi, CE, UKCA, FCC, ROHS, UNECE R10 E24, RCM, PSE, IC
Waterproof rating: IPX6 front and back	

Tools Required	
	Hole Saw ø65mm (2.56")
	Powerdrill

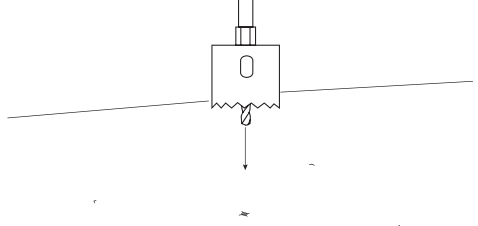
Parts List	
	Phone Charging Mat x1
	SC-CW-07F Sub Wireless Charger x1
	Alcohol Wipe x1

  READ THE IMPORTANT SAFETY INFORMATION LEAFLET BEFORE INSTALLING

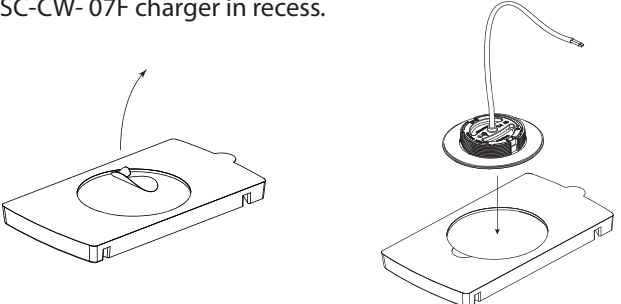
1 Choose a flat mounting location ensuring there is adequate space around and behind the mounting surface. Use the template provided to mark the corners and drill center for hole saw.



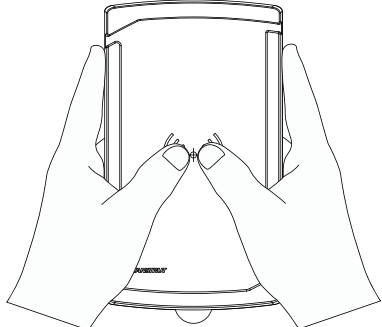
2 Use ø65mm hole saw to cut the hole, deburr and thoroughly clean surface with an alcohol wipe.



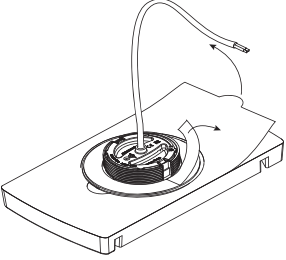
3 Peel off centre piece of self adhesive backing and remove protective film from the SC-CW-07F charger. Place the SC-CW-07F charger in recess.



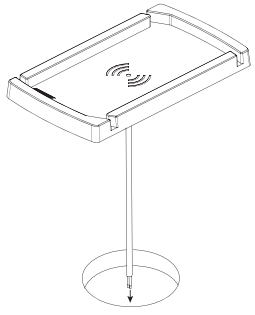
4 Ensure there is no air trapped between charger and self adhesive tape.



5 Peel off the remaining self adhesive backing from the charging mat, as well as the self adhesive backing on the SC-CW-07F charger.



6 Guide the wire of SC-CW-07F through hole and align charging mat. Once aligned firmly press down into place.



7 Connect wires to 12/24V supply, ensuring a waterproof connection. Fuse according to input voltage and current.

