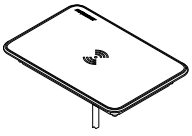


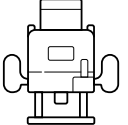

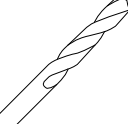



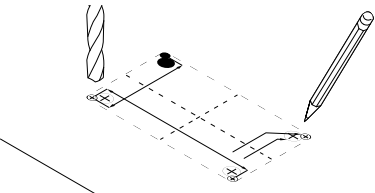
Part List
 Sub 3 Coil x1

Tools Required		
 Jig Saw	 File	 Router
 Ø6mm (0.24")	 Ø10mm (0.39")	 Calipers

Technical	
IP Waterproof Rating	IPX6 Front and back
Input voltage	10-30V DC (12/24V System)
Input current max	2A
Output power max	15W (12V 1.25A)
Standby power max	<1.2W
Certification	CE, UKCA, FCC, ROHS, C-Tick, UN ECE R10, E24, PSE Certified

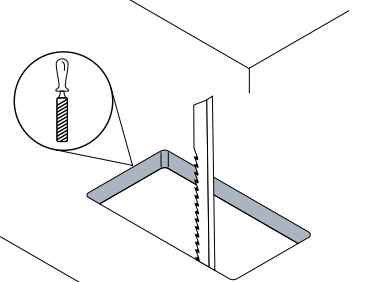


READ THE IMPORTANT SAFETY INFORMATION LEAFLET BEFORE INSTALLING.



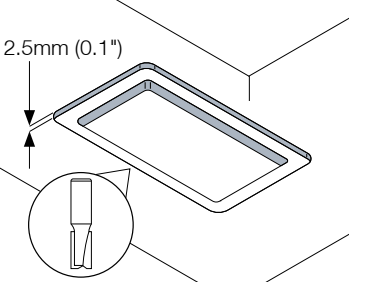
①

- Cut out template
- Mark the cutting boundary
- Use template to
  - Drill 4x Ø6mm (0.24")
  - Drill 4x Ø10mm (0.39")



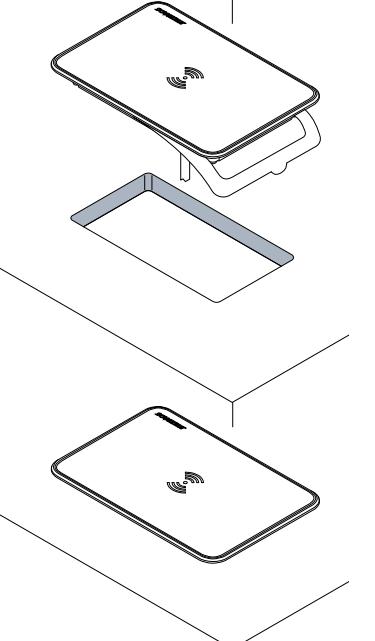
②

- Jig saw inside of the cutting boundary. DO NOT exceed the boundary area.
- File the cut out area to the boundary profile until the product fits.



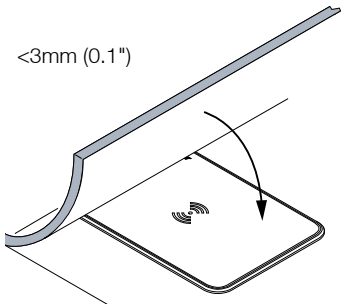
③ (Optional)

- Rout out or CNC the flange profile to a depth of 2.5 (0.1") for a flush installation.
- Use recess template as a guide.



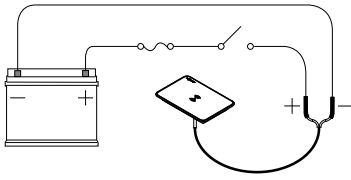
④

- Clean mounting surface.
- Remove self-adhesive backing.
- Feed cable through hole.
- Apply pressure on top of charger to secure.



⑤ (Optional)

- Overlay your choice of non-metallic surface, including wood fabric or marine traction surface (Not Provided).
- Maximum thickness ≤3mm.



⑥

- Connect wires or connectors to 12/24V supply, ensuring a waterproof connection.
- Fuse according to input voltage and current.

○ White LED Constant: ON Charge

● Red LED Constant: Standby (power ON)

☀ Red LED Flashing:

Foreign object detection: metallic object placed on top that is not Qi compatible.

OR

Thermal cutout: The internal temperature is too high/ low. Wait for product to return to operating temperature.

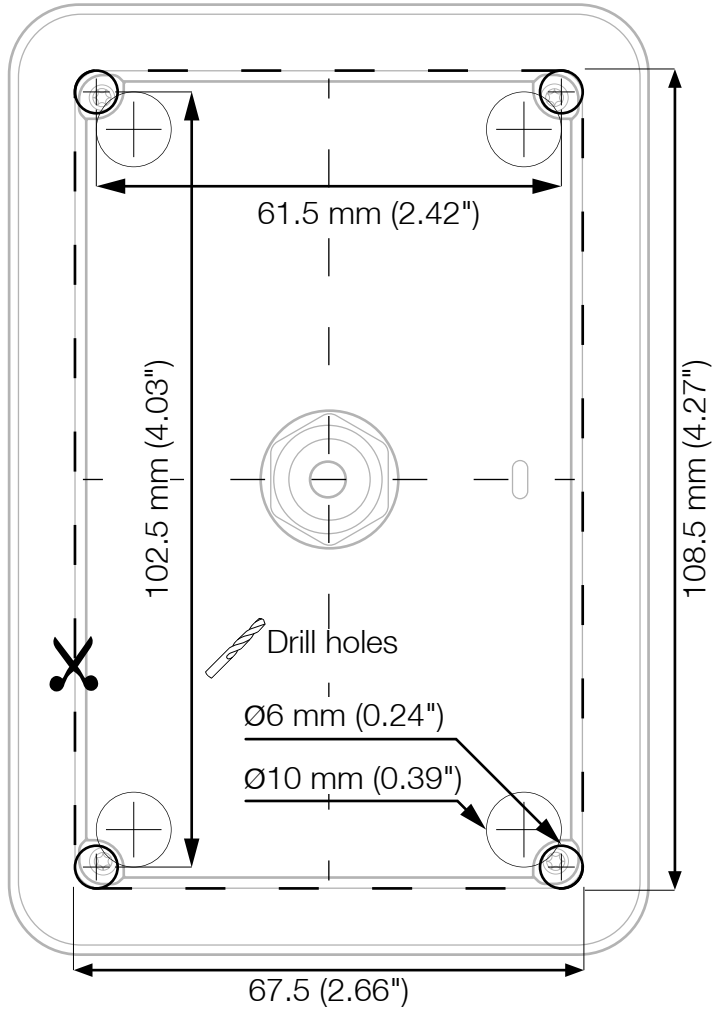
UK & International  
+44 (0)1392531280  
sales@scanstrut.com

For further installation  
and warranty information  
please visit:  
www.scanstrut.com

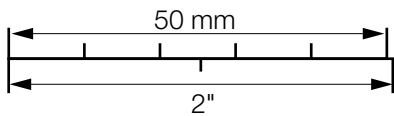
USA  
+1 860 308 1416  
usasales@scanstrut.com

**SCANSTRUT.**

### Cutting Template 1:1 Scale

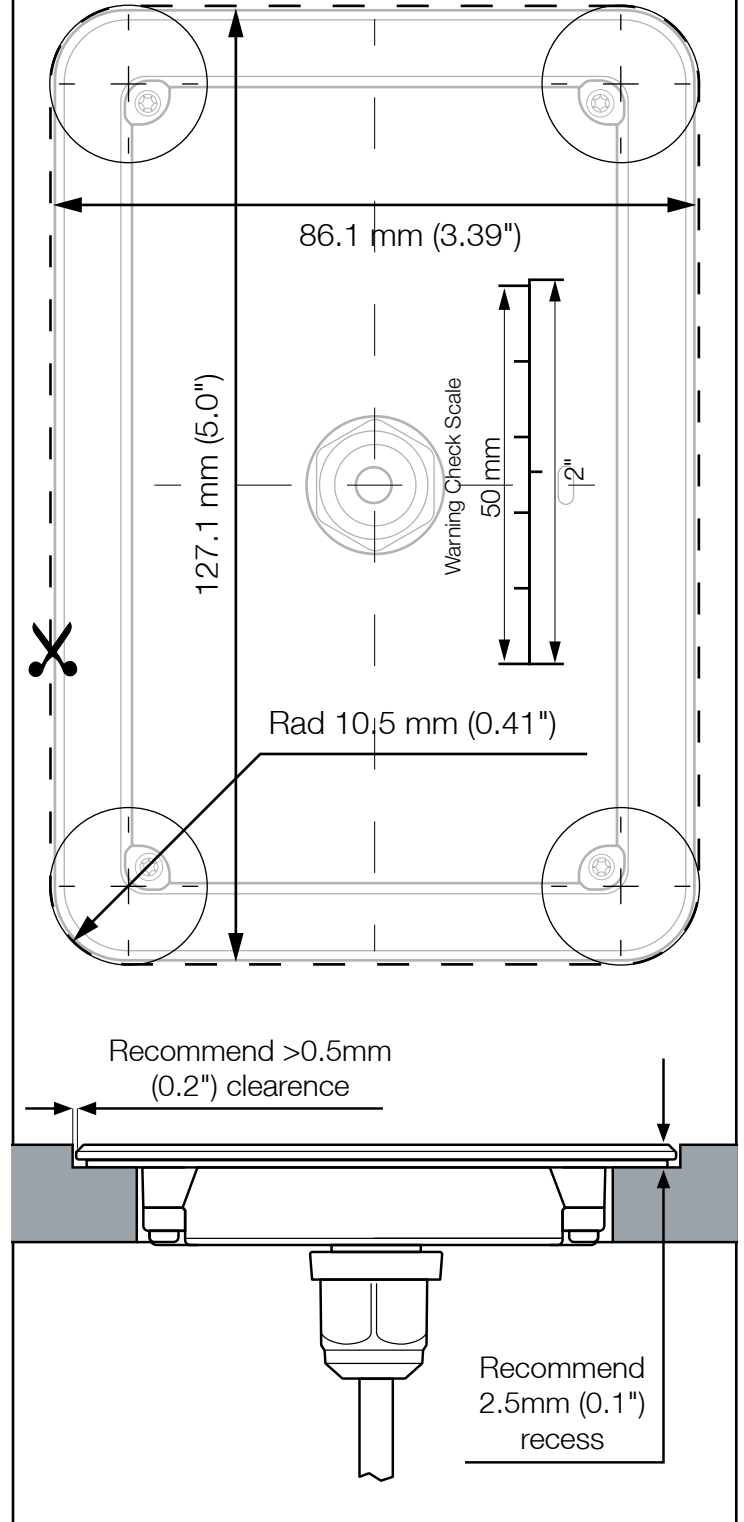


Warning Check Scale



Print document 1:1 scale for correct cutting template size. Paper Size A4

### Recess Template 1:1 Scale



Recommend >0.5mm (0.2") clearance

Recommend 2.5mm (0.1") recess

UK & International  
+44 (0)1392531280  
sales@scanstrut.com

For further installation  
and warranty information  
please visit:  
www.scanstrut.com

USA  
+1 860 308 1416  
usasales@scanstrut.com

# SCANSTRUT.