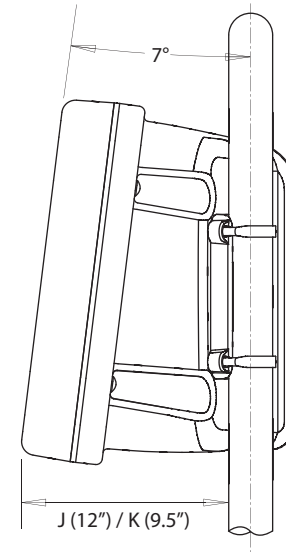
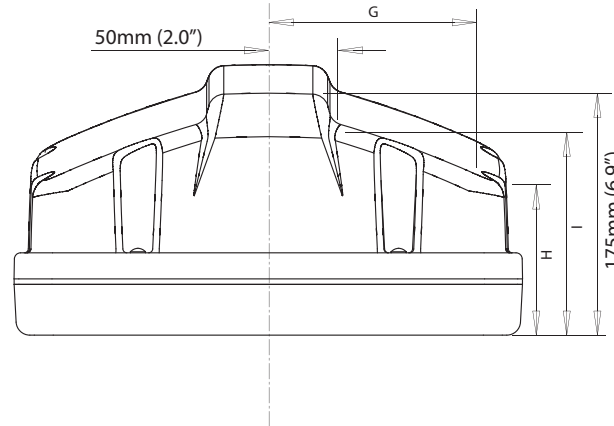
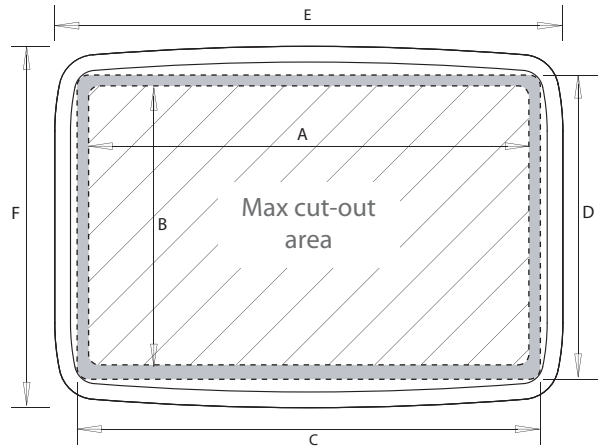


Helm Pod

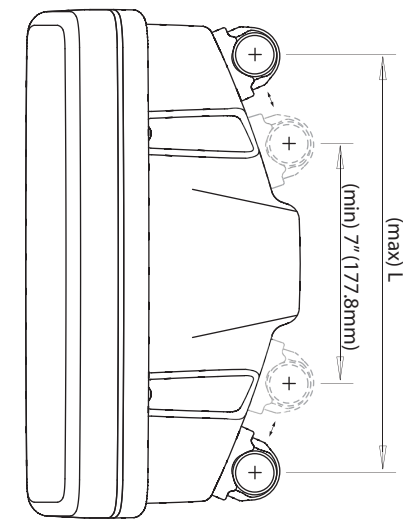
For help & information
 email: technical@scanstrut.com
 tel: +44 (0) 1803 863800



Pedestal Guard shown has 12" centres.

	A mm / inches	B mm / inches	C mm / inches	D mm / inches	E mm / inches	F mm / inches
SPH-8	312/12.3	200/7.9	334/13.1	223/8.8	371/14.6	264/10.4
SPH-12	365/14.4	241/9.5	384/15.1	263/10.4	424/16.7	304/12.0
SPH-15	423/16.7	333/13.1	424/16.7	349/13.7	482/19.0	396/15.6
SPH-SYSTEM	541/21.3	274/10.8	545/21.5	289/11.4	600/23.6	336/13.2

	G mm / inches	H mm / inches	I mm / inches	J mm / inches	K mm / inches	L mm / inches
SPH-8	150/5.9	111/4.4	150/5.9	152/6.0	165/6.5	304.8/12
SPH-12	169/6.5	140/5.5	160/6.3	186/7.3	192/7.6	304.8/12
SPH-15	199/7.8	104/4.1	146/5.7	176/6.9	185/7.3	381/15
SPH-SYSTEM	252/9.9	143/5.6	163/6.4	205/8.1	207/8.1	381/15*



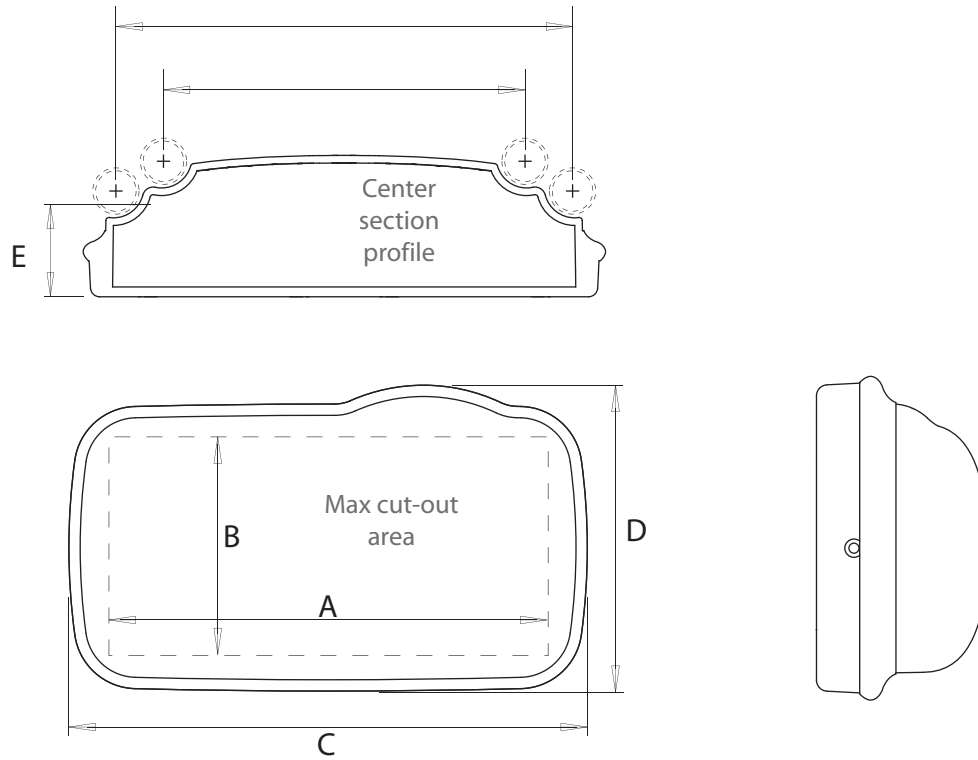
* Will fit Pedestal Guards with up to 466mm (18.35") centre to centre spacing but no drilling guides provided.



SCANSTRUT
 INSTALLATION SOLUTIONS FOR MARINE ELECTRONICS™

Helm Pod - Instruments

For help & information
 email: technical@scanstrut.com
 tel: +44 (0) 1803 863800



	A mm / inches	B mm / inches	C mm / inches	D mm / inches	E mm / inches	F mm / inches	H mm / inches
SPH-2i	295/11.6	121/4.8	295/11.6	121/4.8	350/13.8	185/7.3	72/2.8
SPH-4i	515/20.3	121/4.8	515/20.3	121/4.8	563/22.2	185/7.3	72/2.8

