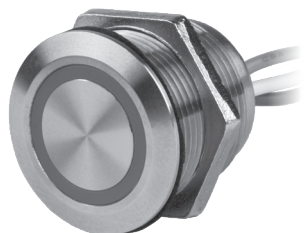


**LED Touch Dimmer  
(No On/Off Feature)**



403061-1

**Motion Sensor Switch**



403066-1

**LED Pop-Out Navigation  
Light**



400054-3

**LED On/Off Switch**



403063-1

See our website for a full  
range of lights and lighting  
accessories at:

**SEA-DOG.COM**

## AURORA LED POP-UP LIGHT

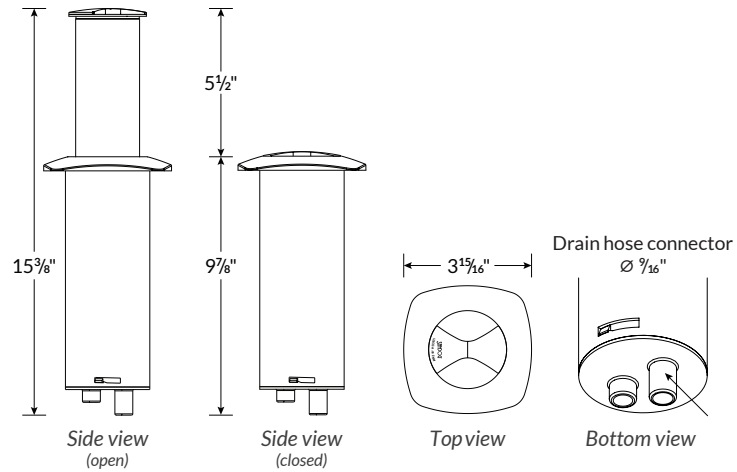
INSTRUCTIONS



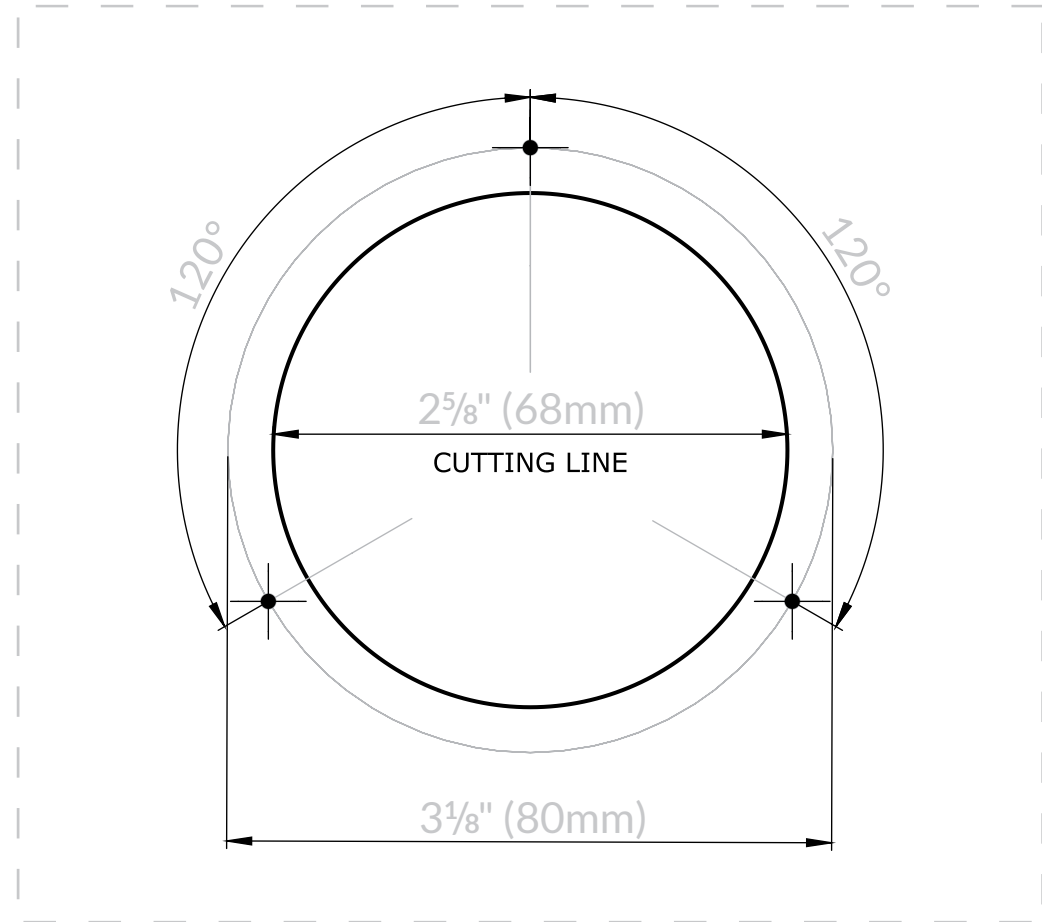
404610-3

## TECHNICAL DATA

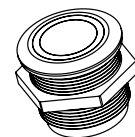
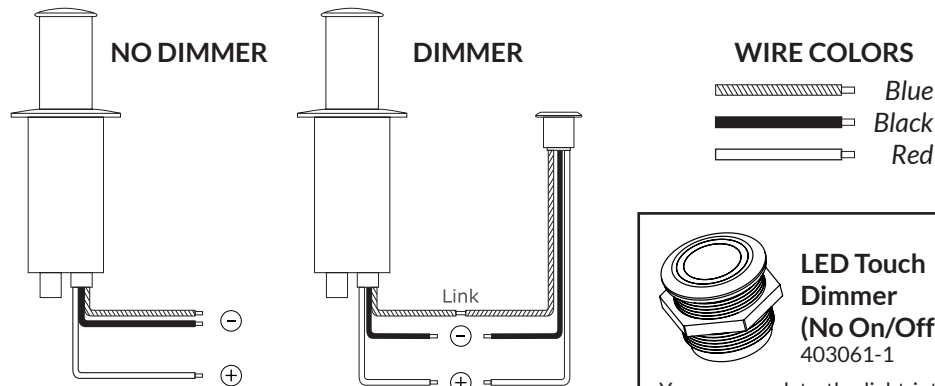
Voltage System.....	12V - 24V
Power Consumption.....	7W
Equivalent Power.....	40W
Amp Consumption.....	700mA @ 12V 310mA @ 24V
LED Protection (up to).....	38V
Polarity Sensitive.....	Yes
LED Color Temperature.....	3000°K
Light Output.....	500 lumens



## INSTALLATION TEMPLATE



## WIRING DIAGRAM



**LED Touch Dimmer (No On/Off)**  
403061-1

You can regulate the light intensity of your Aurora Pop-up Light using the 403061-1 dimmer.



Some minor water infiltrations can occur. If the built-in part of the lamp is installed onto a compartment that must be kept dry please connect a drain to the connector.