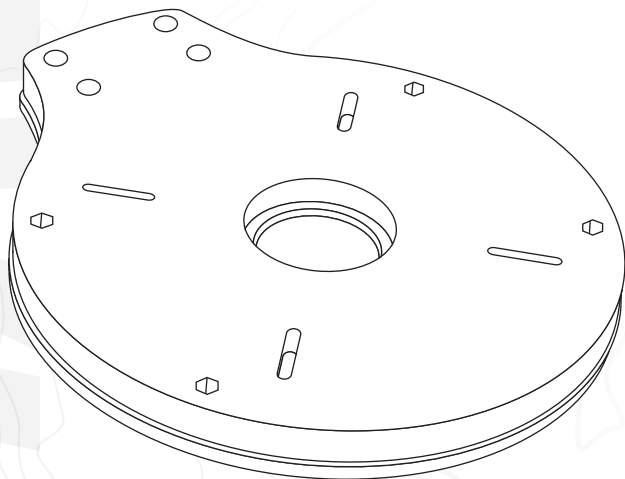


SEAVIEW

ELEVATE YOUR ELECTRONICS



INSTALLATION INSTRUCTIONS

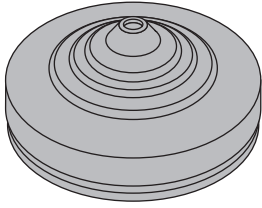
For Seaview Modular Top Plate:

ADA-S3

Refer to website for most up to
date instructions and videos.

WWW.SEAVIEWGLOBAL.COM

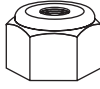
PARTS INCLUDED



X1

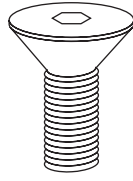


X4



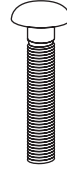
X4

1/4 - 20



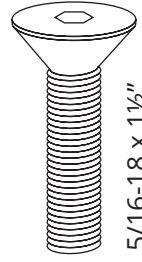
X8

5/16-18 x 1"



X4

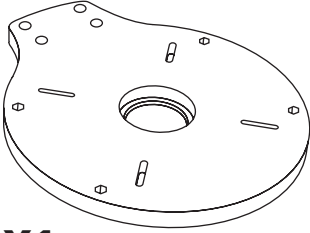
1/4 - 20 x 1"



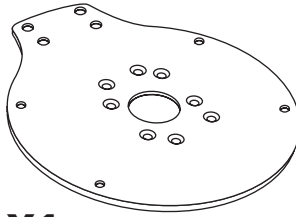
X4

5/16-18 x 1 1/2"

(If using a Light Bar)



X1

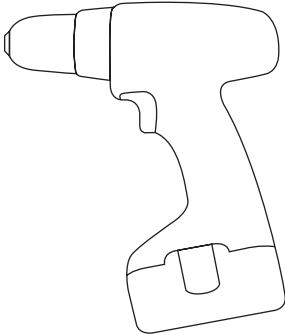


X1

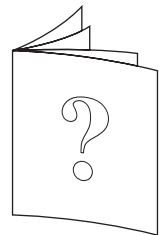
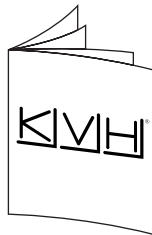


X8

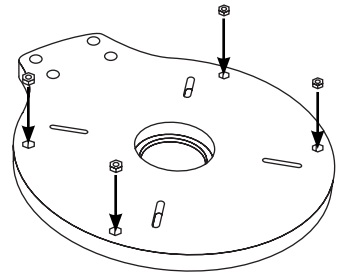
TOOLS NEEDED



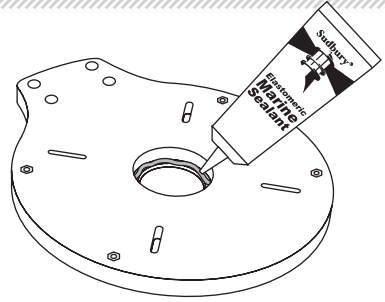
Sudbury Elastomeric Marine Sealant is recommended. To purchase call 800-655-7922 or visit www.seaviewglobal.com



1 Insert the four nuts into the adapter plate.



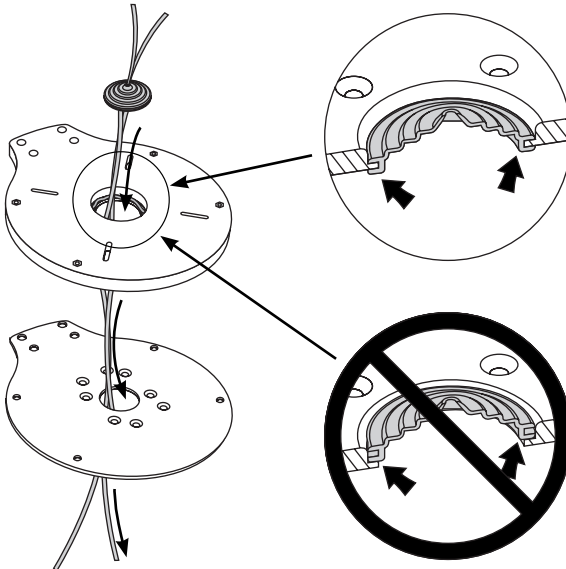
2 Apply marine adhesive sealant along the lip in the center hole on the adapter plate.



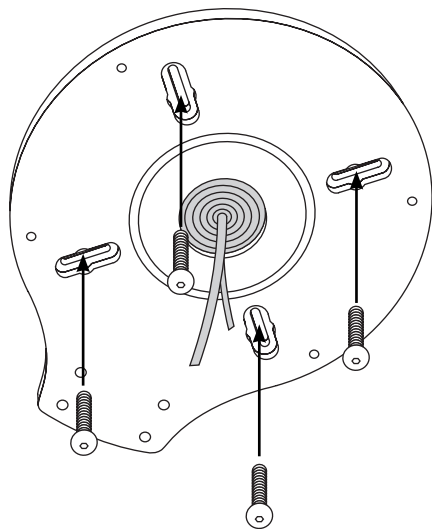
3 Route the cabling through the black rubber grommet. Be sure that the lip of the adapter plate sits into the groove on the grommet.

TIP

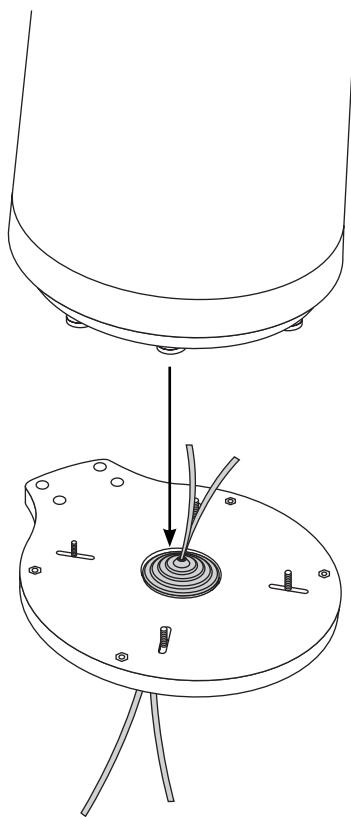
Place the connector of the cable into a plastic bag. Apply Vasoline to the exterior of the plastic bag. Then try routing the connector/cable through the black rubber grommet.



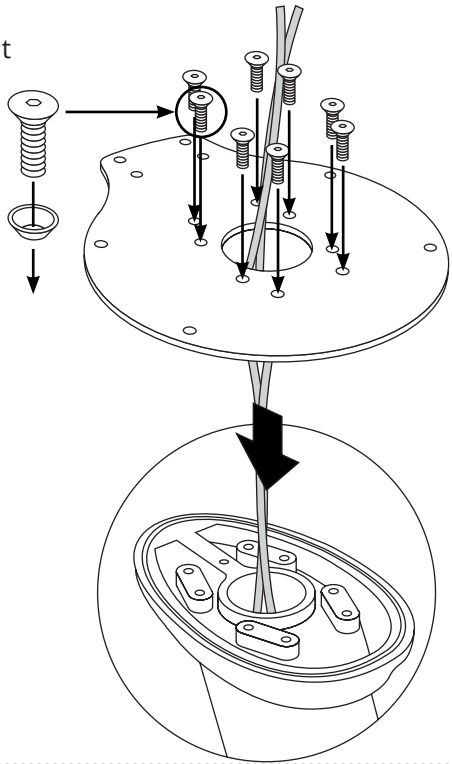
4 Insert the bolts into the adapter plate as shown for your electronics.



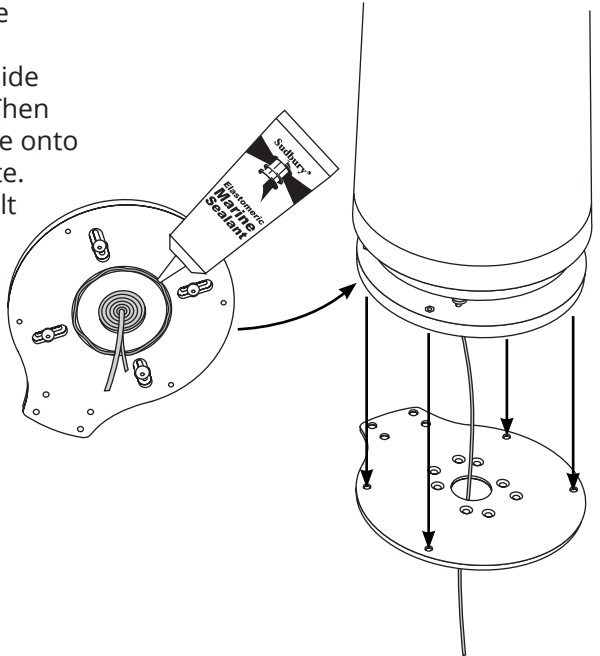
5 Attach the satellite dome to the adapter plate, and secure with the hardware for your electronics.



6 Attach the lower adapter plate to the Seaview mount with the eight 5/16-18 x 1" bolts and nylon washers.

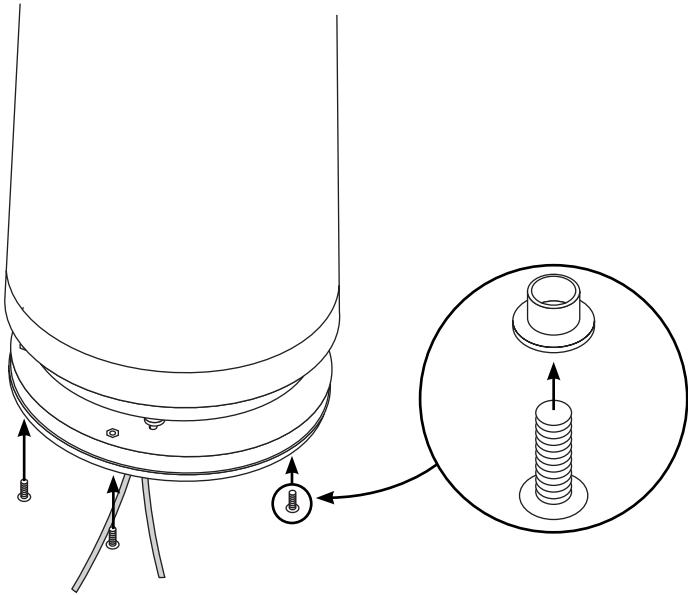


7 Apply marine adhesive sealant to the circular groove on the under side of the adapter plate. Then place the adapter plate onto the lower adapter plate. Make sure that the bolt holes line up.



8

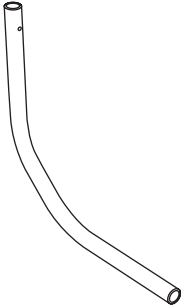
Secure the two adapter plates to gether with the four 1/4-20x1" bolts and nylon shoulder washers.



OPTIONAL ACCESSORIES

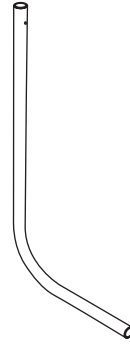
Call 800-655-7922 or visit www.seaviewglobal.com for available accessories.

LIGHT BARS



LTB-R

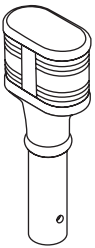
Fits closed dome radars.



LTB-S

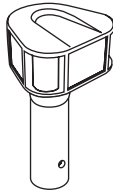
Fits 20" or smaller satdomes.

LIGHT BAR TOPS



LTBP-1197

Perko 1197 Light.



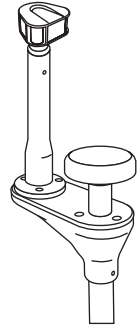
LTBA-7800

Attwood LED Light.



LTBU1A1197

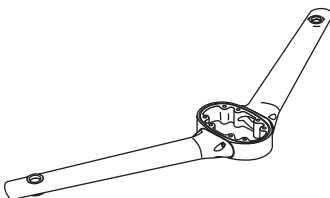
Light Bar Top with Perko 1197 Light, can fit GPS.



LTBU1A800

Light Bar Top with Attwood LED Light, can fit GPS.

SPREADER KIT



SP1-MOD

Allows user to mount GPS units or antennas onto a Seaview Modular Mount.

The background of the entire page is a light gray topographic map with white contour lines. The lines are irregular and wavy, typical of a terrain map. The map covers the entire page, with the text elements overlaid on it.

SEAVIEW///
ELEVATE YOUR ELECTRONICS

SEAVIEW///

Tel: 800-655-7922
www.seaviewglobal.com

EUROPEAN OFFICE

Tel: +33 4 94 53 27 70
www.seaviewprogress.com

3-011419