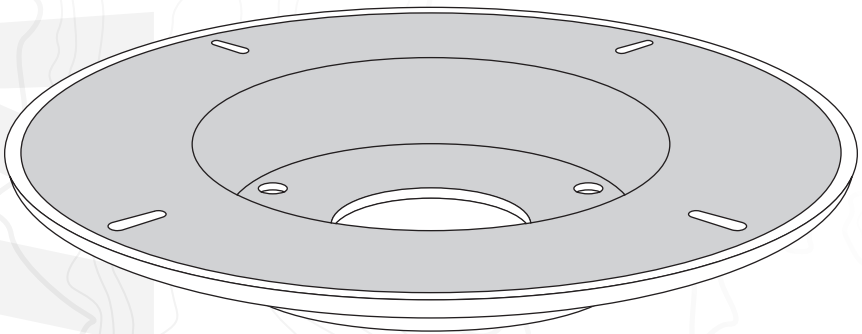


SEAVIEW///



INSTALLATION INSTRUCTIONS

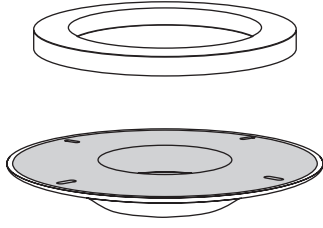
For Low Profile Satdome Adapter:

AMA-18, AMA-24

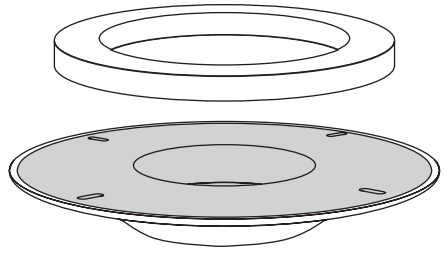
Refer to website for most up to
date instructions and videos.

WWW.SEAVIEWGLOBAL.COM

PARTS INCLUDED

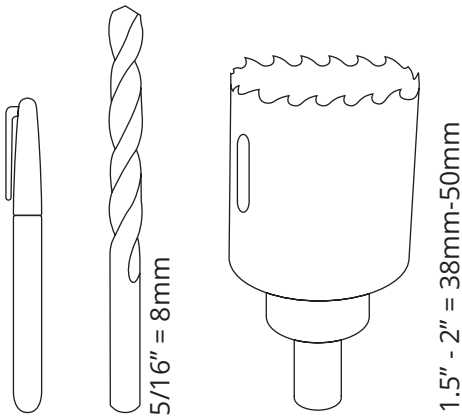


AMA-18

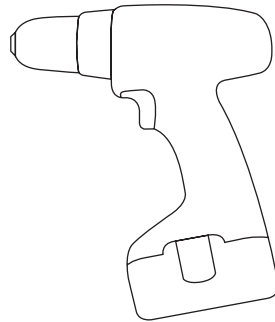


AMA-24

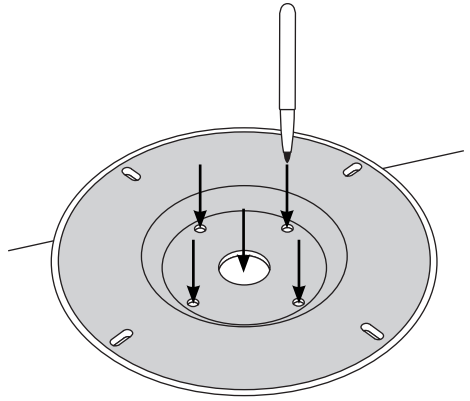
TOOLS NEEDED



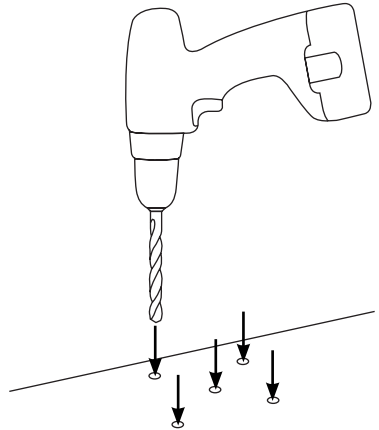
Sudbury Elastomeric Marine Sealant is recommended. To purchase call 800-655-7922 or visit www.seaviewglobal.com



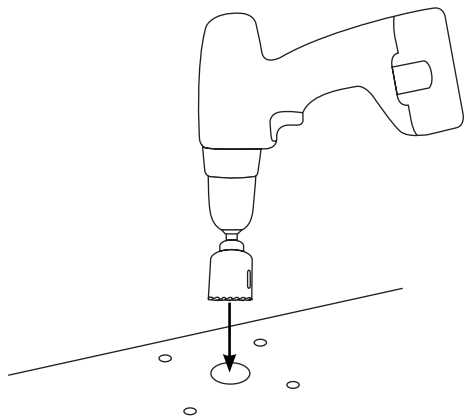
1 Mark the four holes and center cable hole for drilling.



2 Using a 5/16" (8mm) drill bit, drill the four base bolt holes and center cable hole.

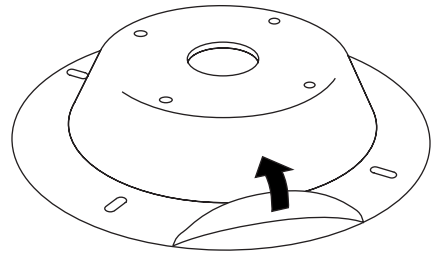


3 Use a 1½" to 2" (38mm to 50mm) hole saw for the center cable hole.



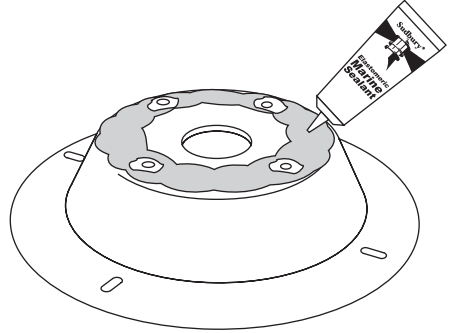
4

Peel off the clear protective cover on the mount. This may have already been done for you.



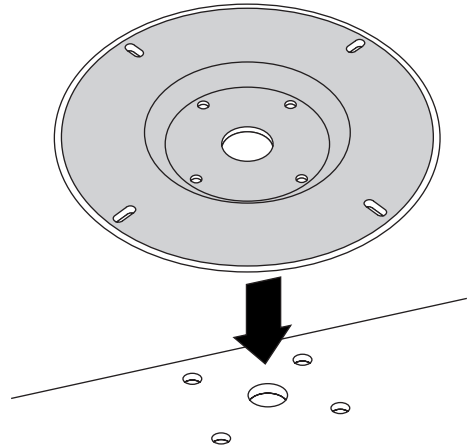
5

Apply marine adhesive sealant to the base of the mount. Be sure to go around the base holes.



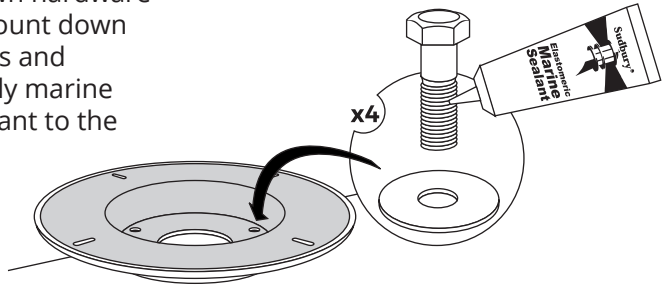
6

Align the four mounting holes.



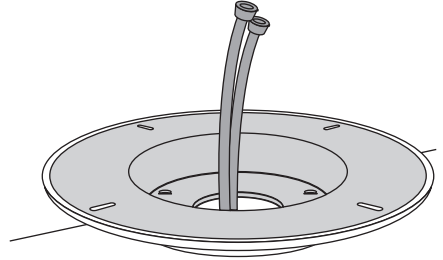
7

Using your own hardware secure the mount down with four bolts and washers. Apply marine adhesive sealant to the threads.



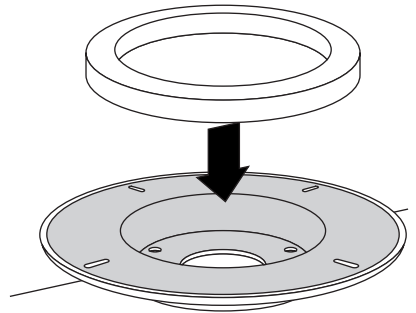
8

Route cables through the Low Profile Adapter.

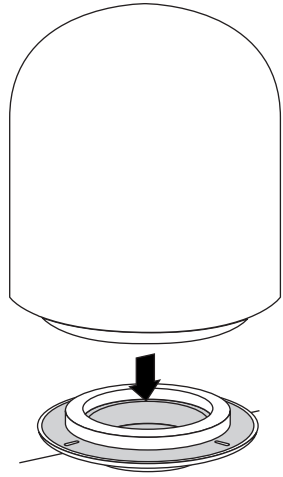


9

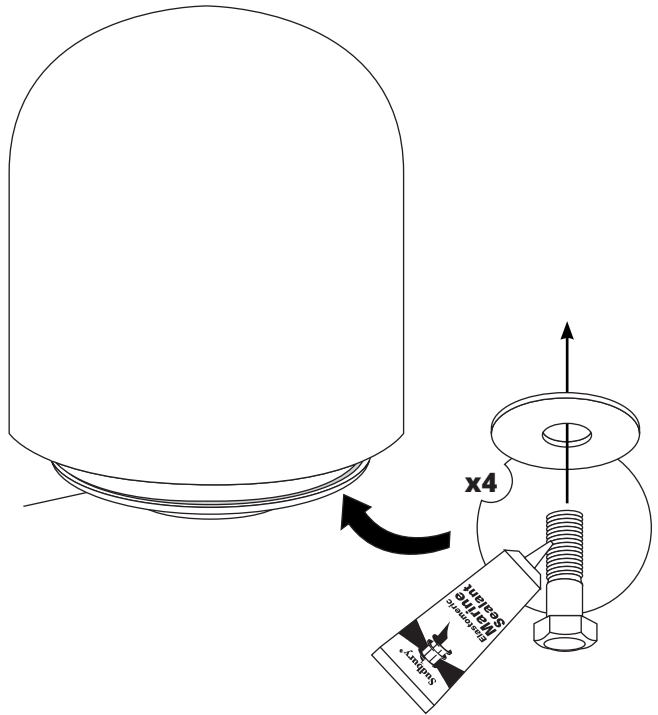
Apply the foam gasket to the top of the mount.



- 10** Mount the satellite dome to the mount, make sure that the four mounting holes line up.



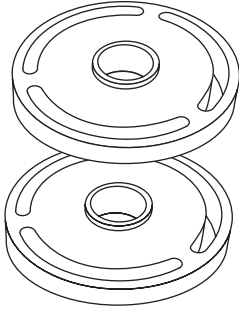
-
- 11** Using your own hardware secure the satellite dome to the mount using four bolts and washers. Apply marine adhesive sealant to the threads of the bolts.



OPTIONAL ACCESSORIES

Call 800-655-7922 or visit www.seaviewglobal.com for available accessories.

WEDGE



AMA-W

Fits all Low Profile Satdome Adapters. Allows for 0 - 12 degrees of adjustment.

The background of the entire page is a light gray topographic map with white contour lines. The lines are irregular and wavy, representing terrain elevation. The map covers the entire page, with the text elements overlaid on it.

SEAVIEW///
ELEVATE YOUR ELECTRONICS

SEAVIEW///

Tel: 800-655-7922
www.seaviewglobal.com

EUROPEAN OFFICE

Tel: +33 4 94 53 27 70
www.seaviewprogress.com

2-072618