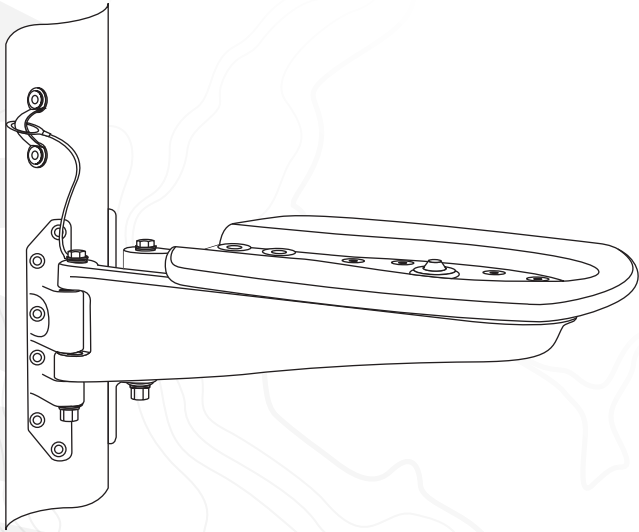


# ***SEAVIEW***///



## ***INSTALLATION INSTRUCTIONS***

For Seaview Mast Mount:

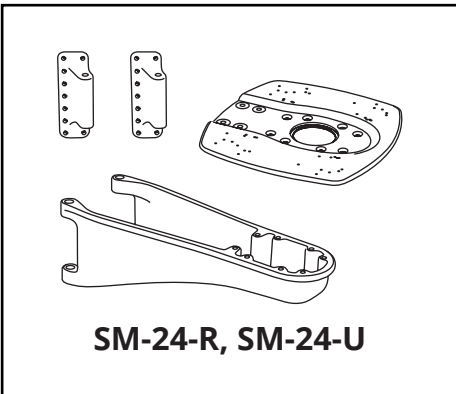
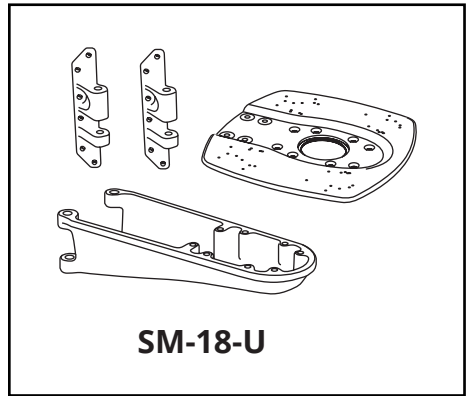
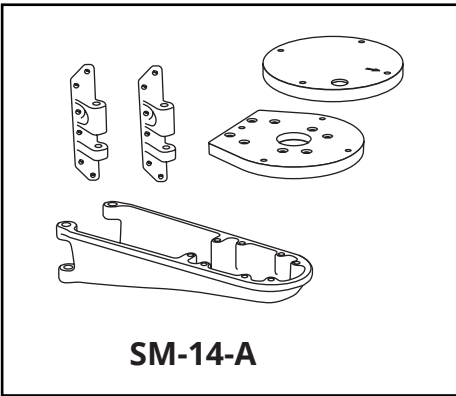
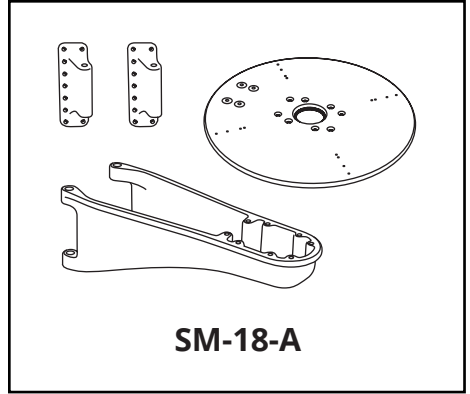
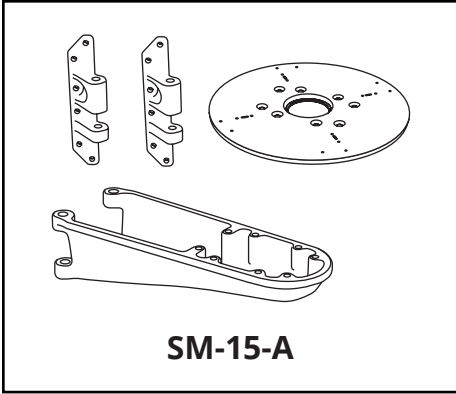
***SM-14-A, SM-15-A, SM-18-U, SM-18-A,  
SM-24-R, SM-24-U***

Refer to website for most up to  
date instructions and videos.

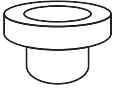
***WWW.SEAVIEWGLOBAL.COM***

# ***PARTS INCLUDED***

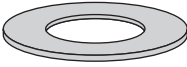
*IN ONE OF THE KITS BELOW*



# PARTS INCLUDED



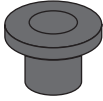
X8



X4

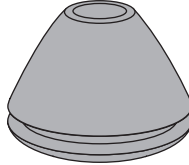


X2



X14

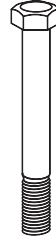
(For SM-14-A, SM-15-A  
and SM-18-U)



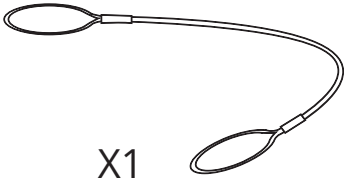
X1



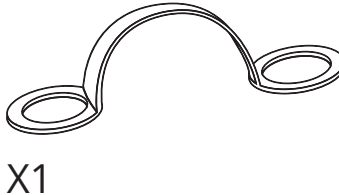
X18



X2



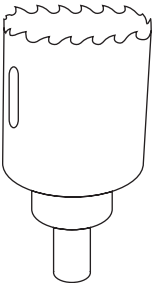
X1



X1

---

# TOOLS NEEDED



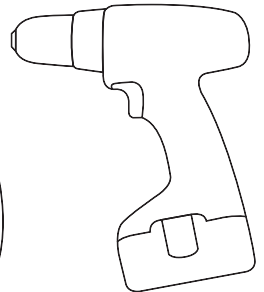
15/16" = 25mm



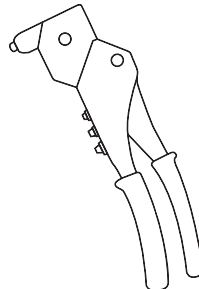
5/16" = 8mm



3/16" = 4.7mm

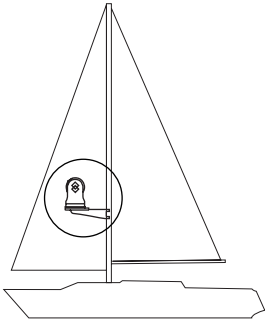


Sudbury Elastomeric Marine Sealant is recommended. To purchase call 800-655-7922 or visit [www.seaviewglobal.com](http://www.seaviewglobal.com)

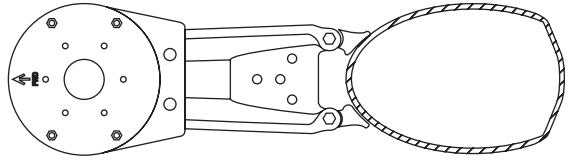


# 1A

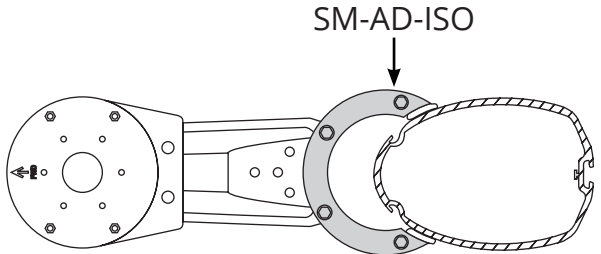
If you do not need the ISOMAT Adapter follow these instructions.



## 1A



## 1B

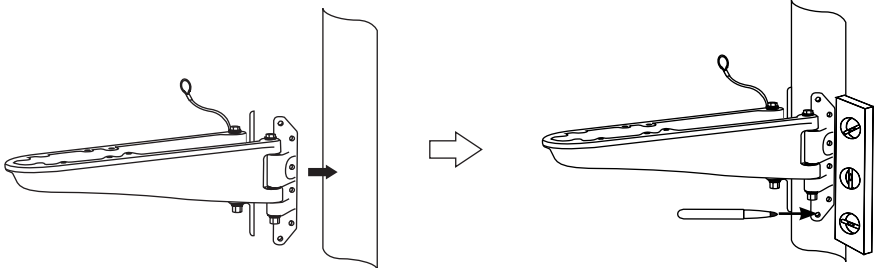


# 1B

If you do need the ISOMAT Adapter please call Seaview at 800-655-7922. If you already have the Seaview ISOMAT Adapter please follow the ISOMAT Adapter instructions.

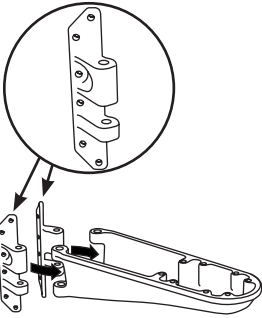
# 2

Place the Mast Mount onto the mast and mark all the holes of each mounting feet. Be sure that the mast mount is level. If the mast mount feet are not assembled refer to the diagram step 16.

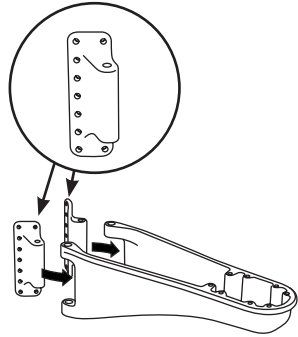


# 3

The Seaview Mast Mount has two different mounting feet depending on the model. Please note which one you have.



SM-14-A / SM-15-A /  
SM-18-U



SM-18-A / SM-24-U /  
SM-24-R

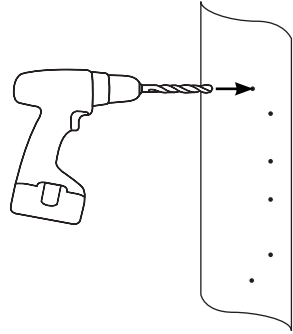
# 4

**SM-14-A, SM-15-A,  
SM-18-U Only:**

Use a 3/16" drill bit, drill all the marked holes.

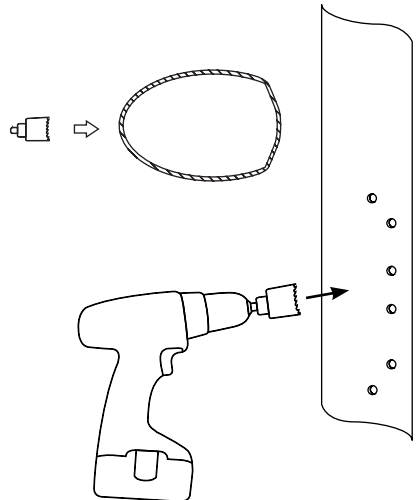
**SM-18-A, SM-24-U,  
SM-24-R Only:**

Use a 1/4" drill bit, drill all the marked holes.

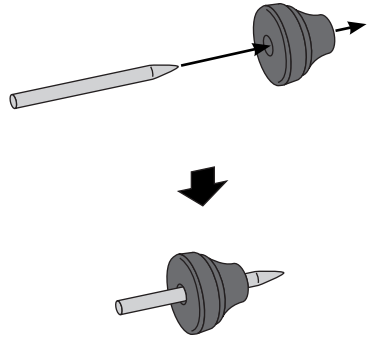


# 5

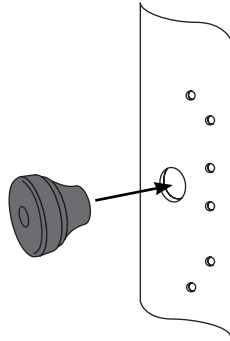
Use a hole saw to drill a hole for the cables. Be sure to drill in the center of the mast.



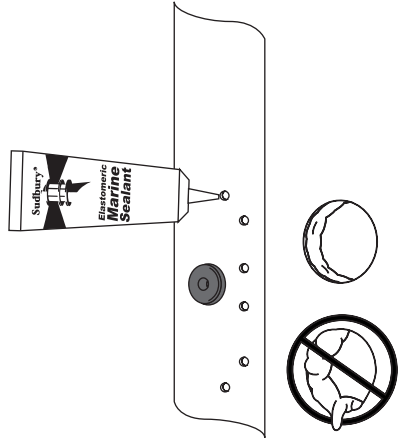
**6** Punch a hole through the rubber grommet using a sharp dowel.



**7** Insert the rubber grommet into the hole you drilled for the cables.

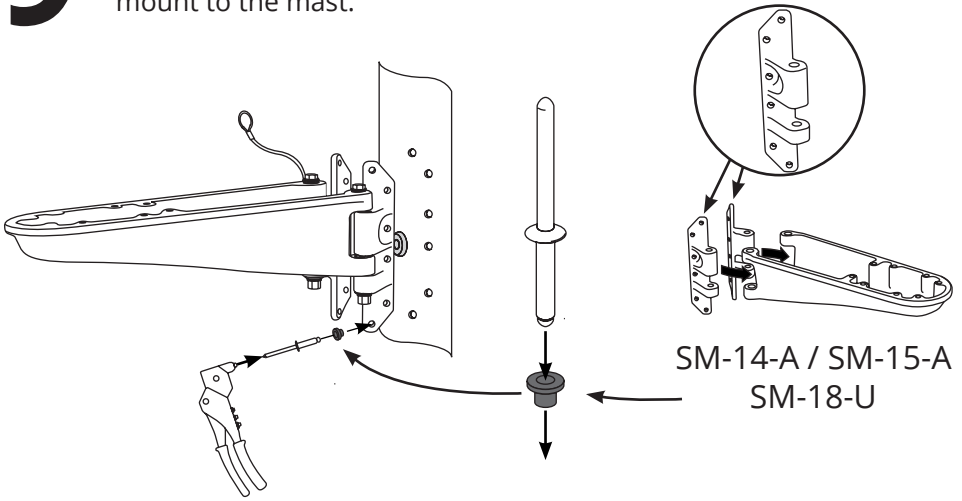


**8** Put some marine adhesive sealant into the holes. Do not apply too much sealant.



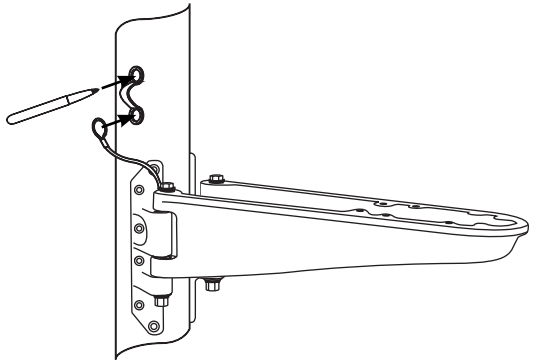
# 9

Insert the black nylon shoulder washers into the correct holes on the mast mount feet. Use the supplied rivets to secure the mast mount to the mast.



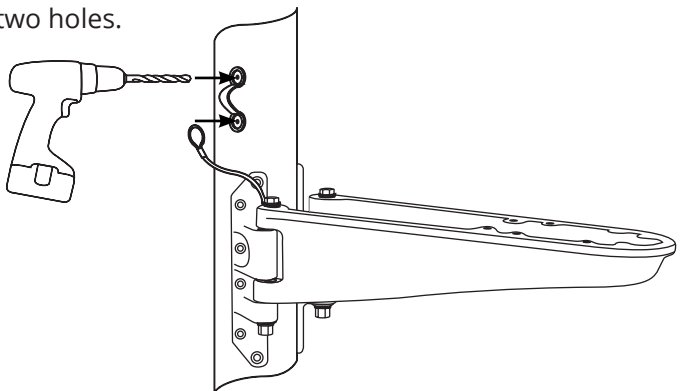
# 10

Mark two holes to fasten the anchor.



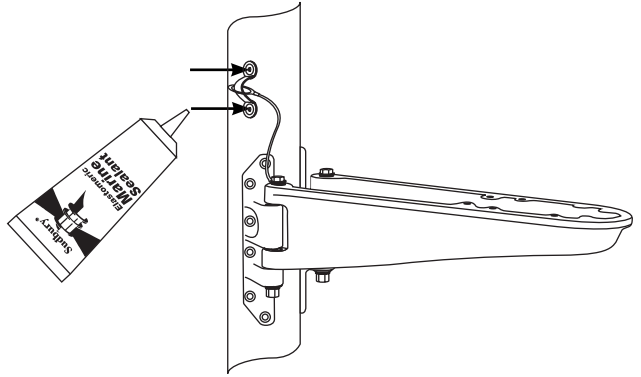
# 11

Drill the two holes.



# 12

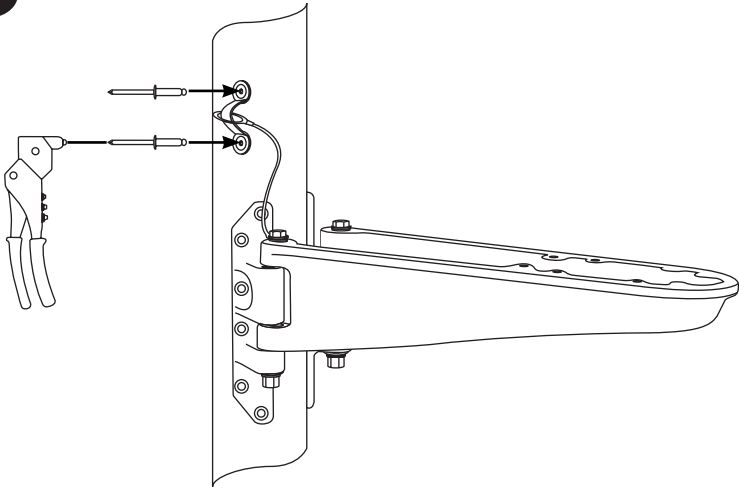
Apply marine adhesive sealant to the two holes.



---

# 13

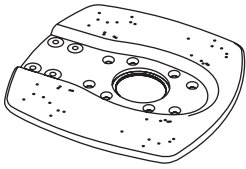
Secure the anchor to the mast using two rivets. Make sure the lanyard is on the anchor prior to securing rivets.



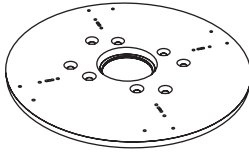
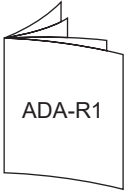


# 14

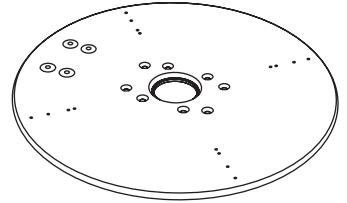
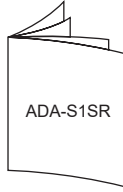
Refer to your Seaview Modular Top Plate instructions to install.



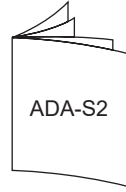
ADA-R1



ADA-S1SR

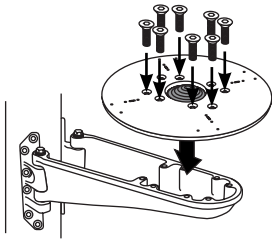


ADA-S2

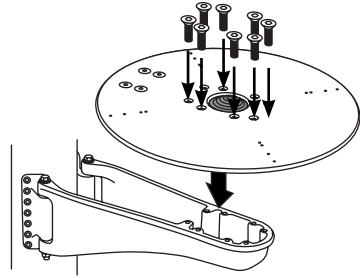


# 15

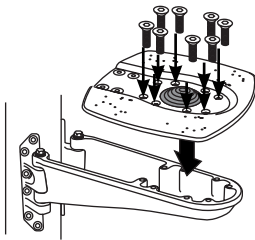
Mount the Seaview Modular Top Plate to the Mast Mount.



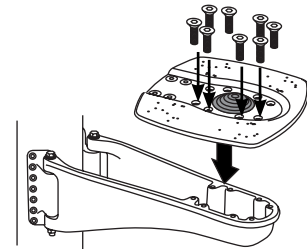
SM-15-A



SM-18-A



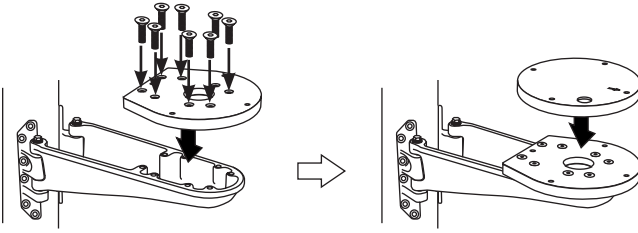
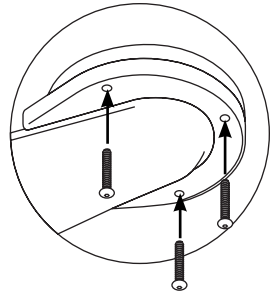
SM-18-U



SM-24-R / SM-24-U

# 15....

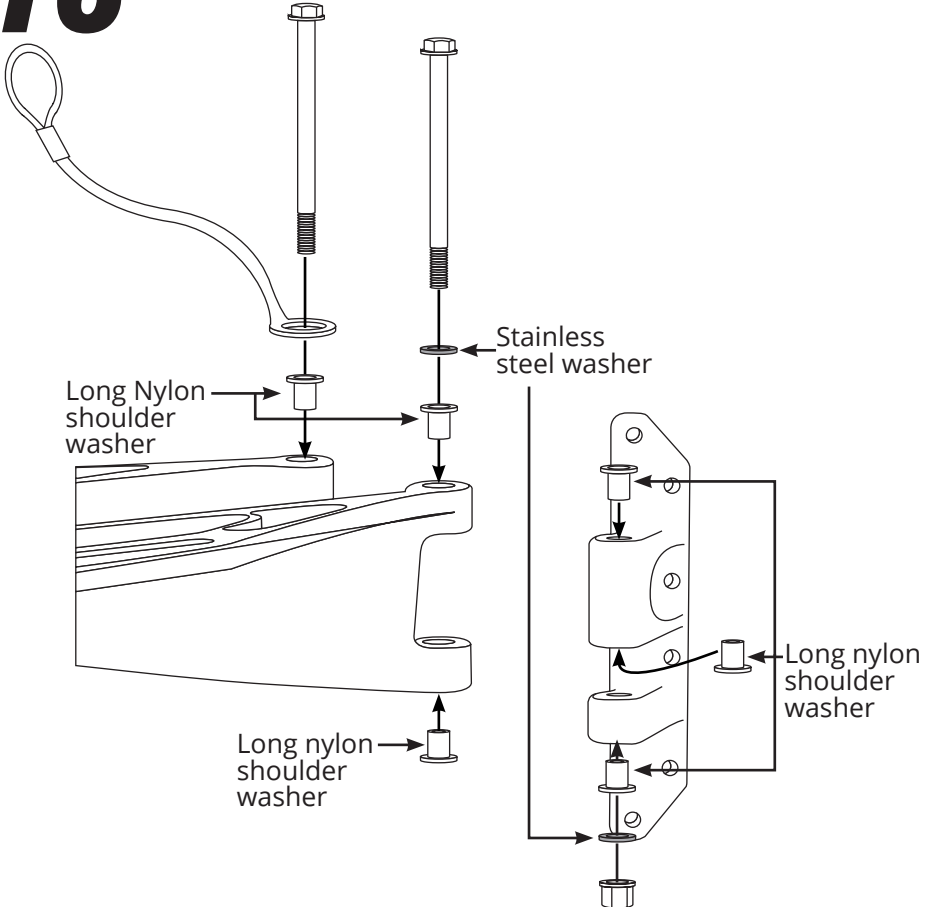
Note: Hardware is not provided for the electronics.



SM-14-A

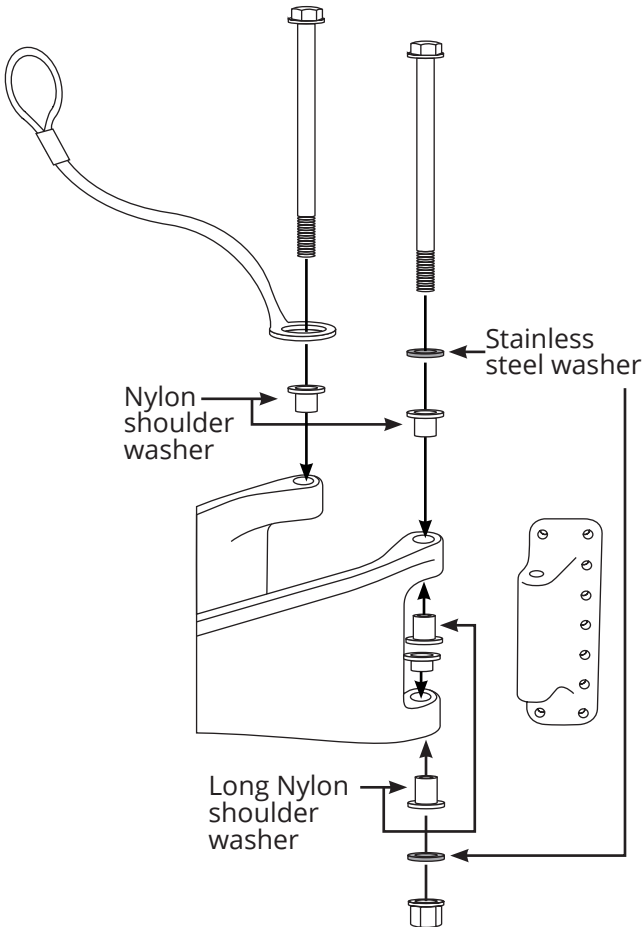
# 16

SM-15-A, SM-18-U, SM14-A Mast Mount foot assembly.



---

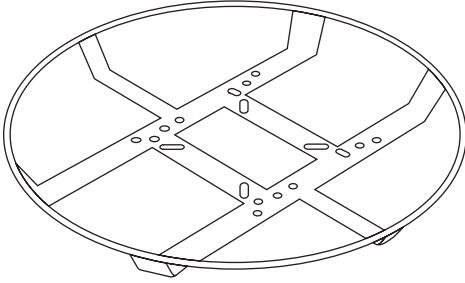
SM-18-A, SM-24-R, SM-24-U Mast Mount foot assembly.



# OPTIONAL ACCESSORIES

Call 800-655-7922 or visit [www.seaviewglobal.com](http://www.seaviewglobal.com) for available accessories.

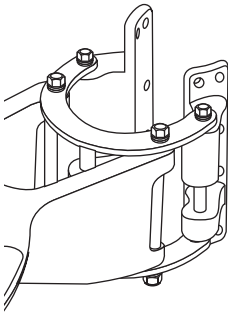
## SS MAST MOUNT GUARDS



Protect your radome from damage and reduce wear and tear on the sails with Seaview Mast Mount Guards. Available for 18" - 24" closed dome radars.

For SM-14-A, SM-15-A, SM-18-U only below.

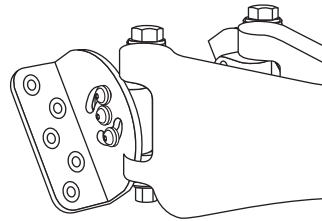
## ISOMAT ADAPTER



### SM-AD-ISO

For masts with an integral track at the front which makes it difficult to fit a Seaview mast mount. Made from marine grade aluminum and powder coated brilliant white.

## FLYBRIDGE ADAPTER



### SM-AD-FB

Adjustable flybridge adapter kit with 35° of adjustment.

***THIS PAGE INTENTIONALLY LEFT BLANK.***

***THIS PAGE INTENTIONALLY LEFT BLANK.***

***THIS PAGE INTENTIONALLY LEFT BLANK.***

The background of the entire page is a light gray topographic map with white contour lines. The lines are irregular and wavy, representing elevation changes across a landscape. The map is centered and covers the entire area.

***SEAVIEW//***  
***ELEVATE YOUR ELECTRONICS***

***SEAVIEW//***

Tel: 800-655-7922  
[www.seaviewglobal.com](http://www.seaviewglobal.com)

***EUROPEAN OFFICE***

Tel: +33 4 94 53 27 70  
[www.seaviewprogress.com](http://www.seaviewprogress.com)

5-120418