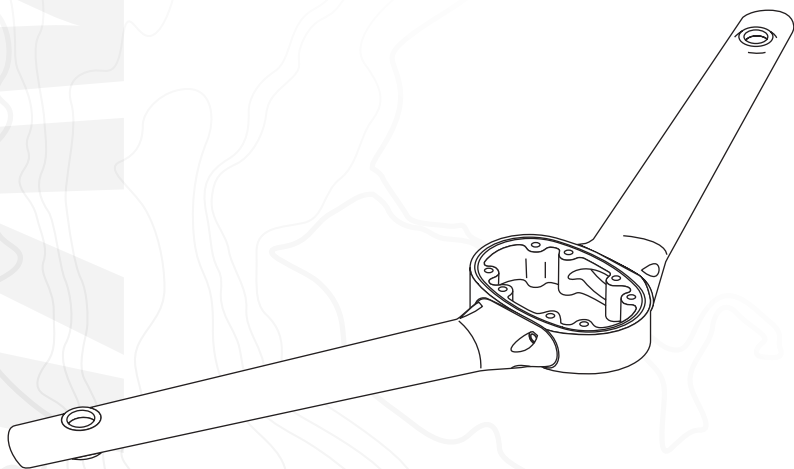


SEAVIEW

ELEVATE YOUR ELECTRONICS



INSTALLATION INSTRUCTIONS

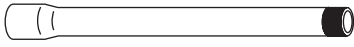
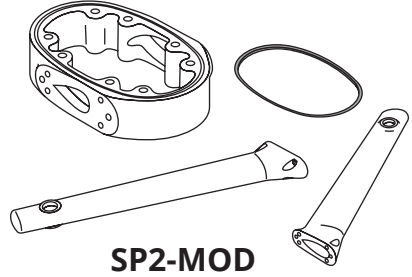
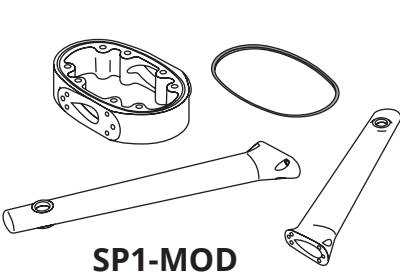
For Seaview Spreader Kits:

SP1-MOD, SP2-MOD

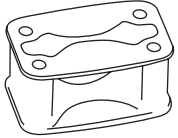
Refer to website for most up to
date instructions and videos.

WWW.SEAVIEWGLOBAL.COM

PARTS INCLUDED



x2
SP1 Extention Rod



x1
SP10



x4
SP6



x2
SP3



x8

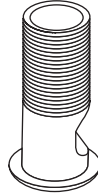
1/4-20 x 1"



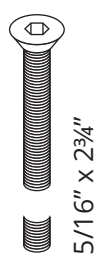
x2
SP7



x8
SP12

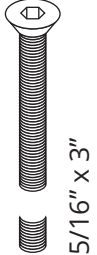


x2
SP8



x12

5/16" x 2 3/4"



x4

5/16" x 3"

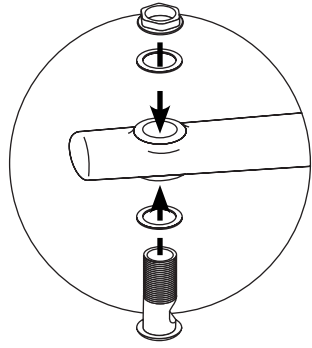
TOOLS NEEDED



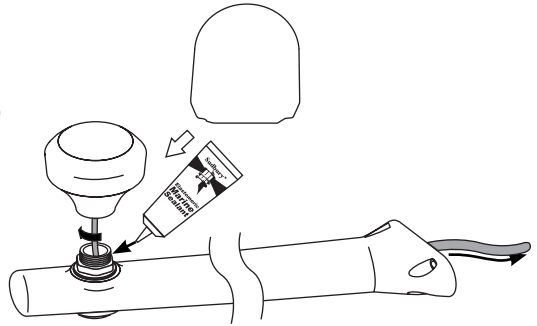
Sudbury Elastomeric Marine Sealant is recommended. To purchase call 800-655-7922 or visit www.seaviewglobal.com

1 Apply the rubber grommet onto the threaded adapter and then insert the spreader.

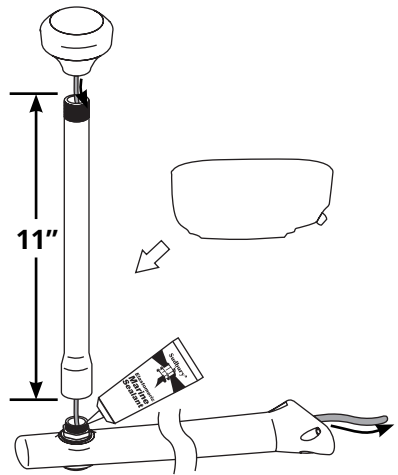
Apply another rubber grommet and plastic nut on the threaded adapter.



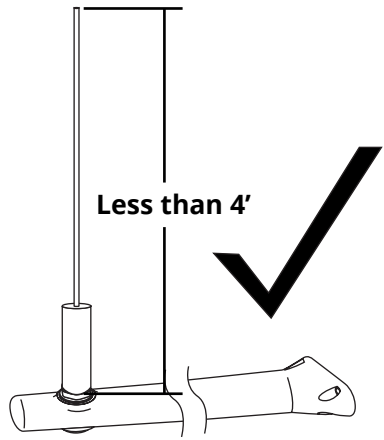
2 If you are using a satellite dome the plastic extension rod is not needed. Apply marine adhesive sealant to the threads of the adapter and screw on the GPS unit. Route the cables through the spreader.



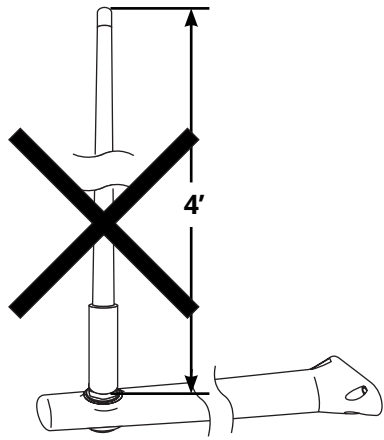
3 If you are using a closed dome radar use the provided plastic extension rods. Apply marine adhesive sealant to the threads of the adapter and screw on the GPS unit. Route the cables through the spreader.



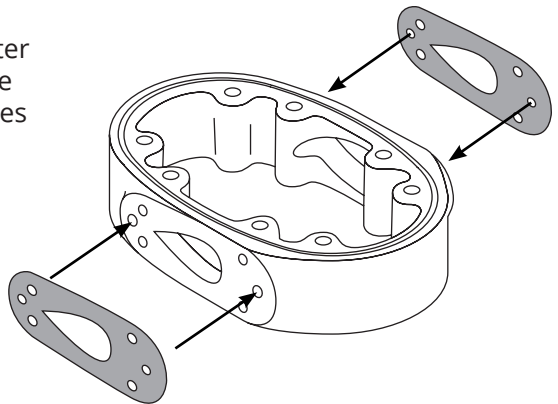
4 If your fiberglass antenna is less than 4' tall then you are ok.



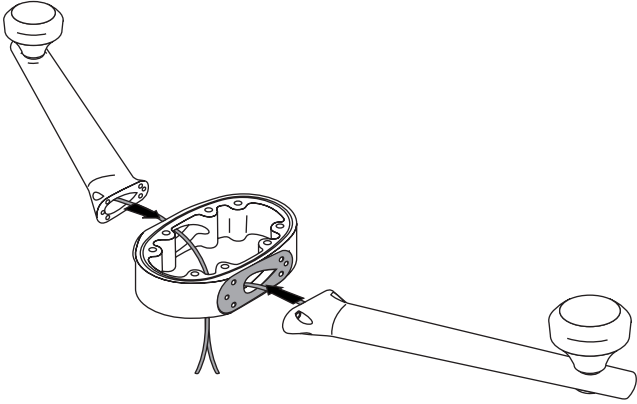
5 Do **NOT** use 4' or taller fiberglass antennas with Seaview Spreader Kits. Please call 800-523-7558.



6 Place the rubber gaskets onto the sides of the center spreader body. Make sure that the six mounting holes line up.

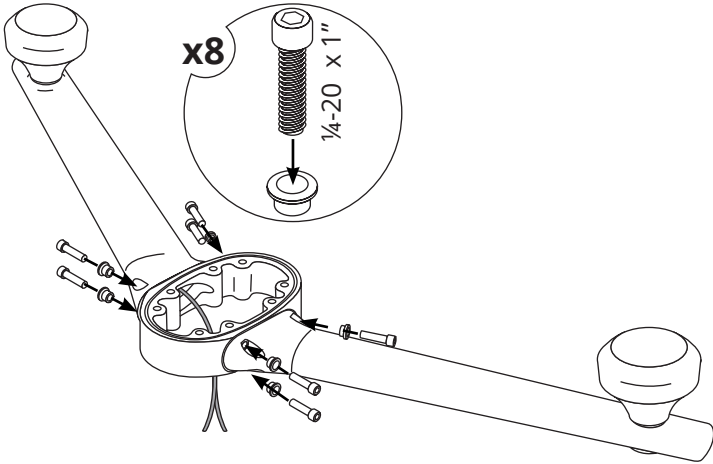


7 Route the cables through the center spreader body.



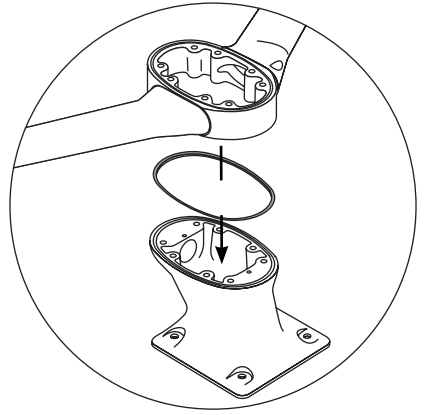
8 Insert the eight black plastic shoulder washers into the spreader bolt holes.

Using the eight 1/4-20 x 1" bolts tighten the spreaders with an allen wrench.



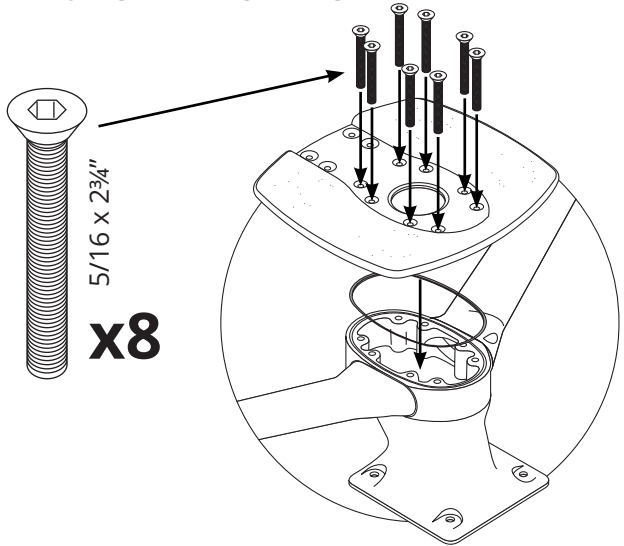
9 Place the rubber gasket in the groove on the top of the Seaview mount.

Then place the Spreader Kit on top of the mount assembly.



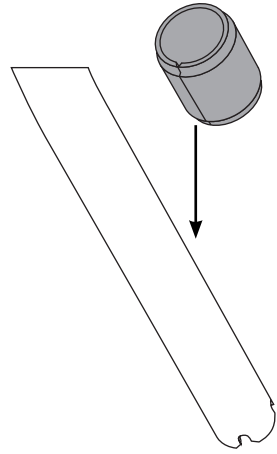
10 Place the rubber gasket that comes with the Seaview Top Plate Kit into the groove on the top of the Spreader Kit center body.

Bolt the assembly together using the eight 5/16 x 2³/₄" bolts.



11

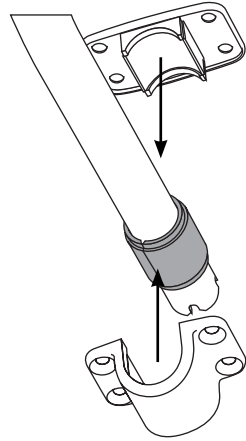
If you are using an optional Seaview Lightbar wrap the rubber bushing around the end of the lightbar.



12

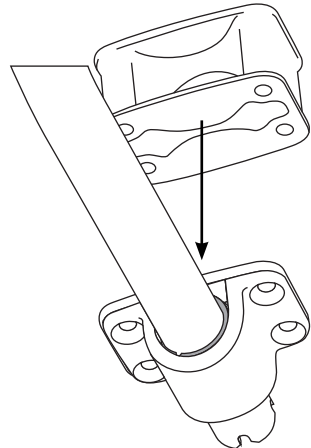
Place the white plastic adapter piece on top of the rubber bushing.

Place the stainless steel bracket onto the bottom of the rubber bushing.

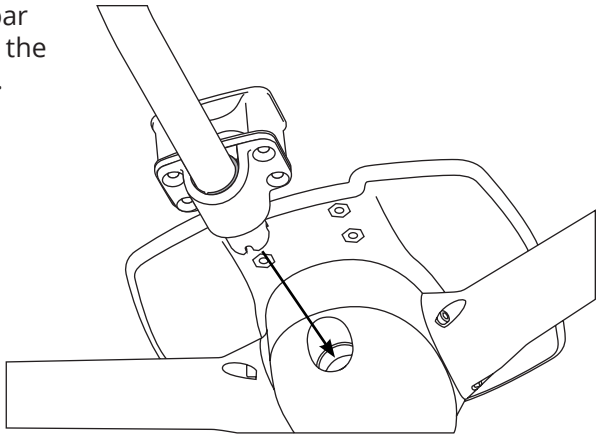


13

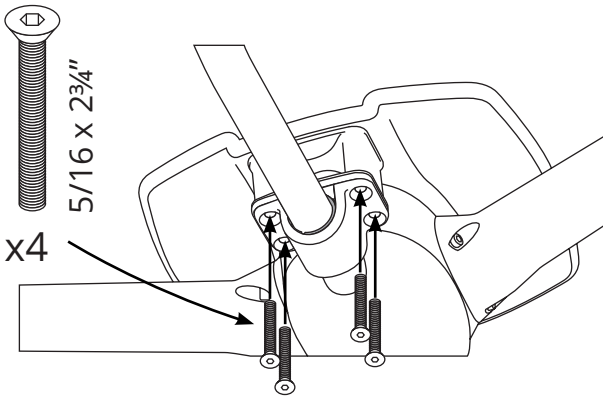
Place the white plastic spacer on top of the adapter.



14 Insert the lightbar into the back of the Seaview mount.



15 Bolt the assembly together with four 5/16 x 2 3/4" bolts.

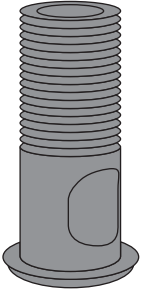


NOTE: Use 4 each of the 5/16" x 3" bolts when installing a light bar if your top plate is 3/4" or thicker.

OPTIONAL ACCESSORIES

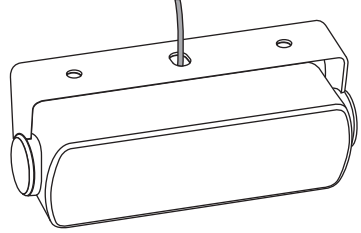
Call 800-655-7922 or visit www.seaviewglobal.com for available accessories.

SP7SS



Stainless steel threaded fitting for Tapered Mast Spreaders.

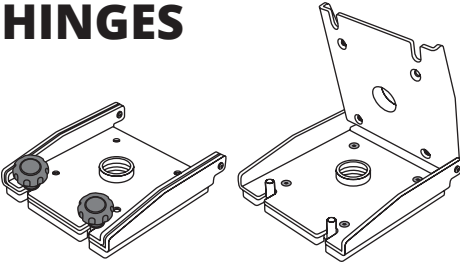
SPREADER FLOOD LIGHT KIT



SP-LT-LED

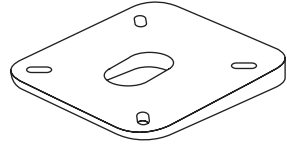
Flood Light Kit for Tapered Mast spreaders.

HINGES



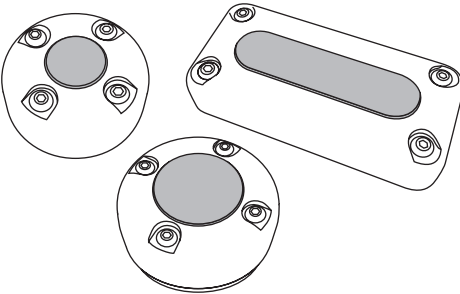
Seaview Hinge Adapters fold in any direction necessary for added height clearance.

WEDGES



Compensates for plane angle. Available in 2, 4 or 6 degree wedges.

CABLE GLANDS

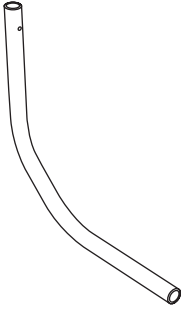


Seaview Cable Glands provide waterproof cable routing.

OPTIONAL ACCESSORIES

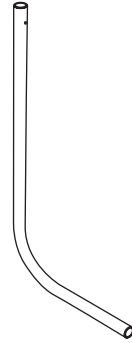
Call 800-655-7922 or visit www.seaviewglobal.com for available accessories.

LIGHT BARS



LTB-R

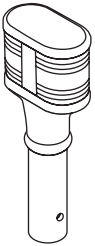
Fits closed dome radars.



LTB-S

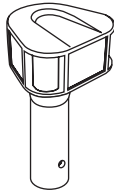
Fits 20" or smaller satdomes.

LIGHT BAR TOPS



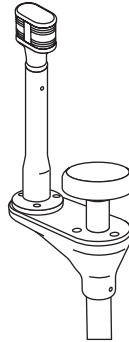
LTBP-1197

Perko 1197
Incandescent
Light.



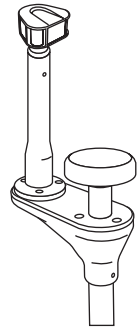
LTBA-7800

Attwood LED
Light.



LTBU1A1197

Light Bar Top
with Perko 1197
Incandescent
Light, can fit GPS.



LTBU1A800

Light Bar Top
with Attwood
LED Light, can fit
GPS.

THIS PAGE INTENTIONALLY LEFT BLANK.

The background of the entire page is a light gray topographic map with white contour lines. The lines are irregular and wavy, representing terrain elevation. The map covers the entire page, with the text elements overlaid on it.

SEAVIEW///
ELEVATE YOUR ELECTRONICS

SEAVIEW///

Tel: 800-655-7922
www.seaviewglobal.com

EUROPEAN OFFICE

Tel: +33 4 94 53 27 70
www.seaviewprogress.com

1-090118