

EAGLE RAY LIGHT BAR

HIGH BRIGHTNESS LIGHTBAR



DESCRIPTION

Introducing the Shadow-Caster Eagle Ray Light bar. Leveraging automotive lighting technology and novel beam shaping optics Shadow-Caster have created the Eagle Ray - a unique light bar with a combination of focused laser beams and a wide 30° LED flood array to efficiently light your way.

The focused laser beams are ideal for long distance viewing, with variable beam angle from 5-50° with no moving parts.

The 30° wide angle LED flood array is great for penetrating the elements, including fog, rain and mist, and can be independently controlled from a push button switch or from Shadow-Caster® NMEA 2000 or Light Commander N2K interfaces.

LASER FEATURES

- Automotive grade laser-driven white lights
- Blue halo illumination around optics indicate power state
- Adjustable 5-50° beam angle control with a switch or MFD interface

FLOOD FEATURES

- 24 bright white LEDs
- Blue accent light strips indicate brightness level
- 30° beam angle
- Adjustable brightness control switch or MFD interface

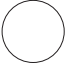
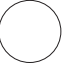
SPECIFICATIONS

- Billet Aluminum housing in white or black finish
- Remote power trigger to provide simpler installation (main current supply is not controlled through switch)
- Borosilicate glass window
- 10-30V input
- 200W max power
- 16.5A current draw at 12V DC
- 2.5" H x 20" W x 5.4" D [65.3 x 506.5 x 136.9mm]

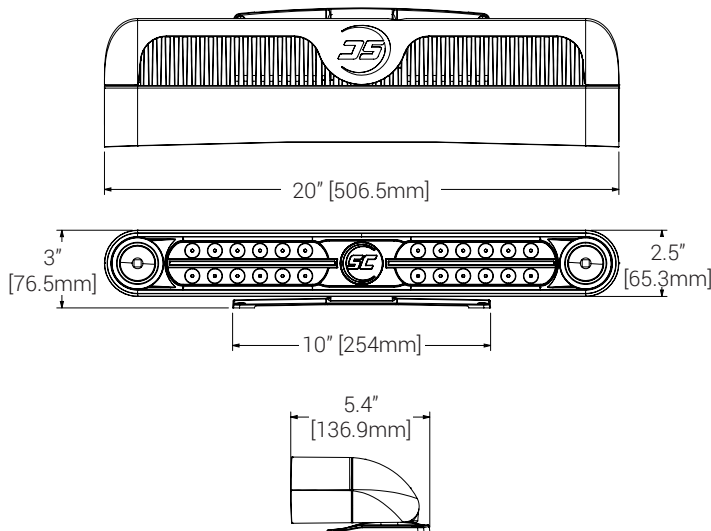
INCLUDES

- 1 Eagle Ray Light Bar
- Adjustable mounting bases and hardware
- 3ft [1m] wiring
- 3 year warranty



LIGHT COLOR	 6,500K Bright White	 6,500K Bright White
HOUSING COLOR	Black	White
MODEL #	SCM-EAGLE RAY-BLK	SCM-EAGLE RAY-WHT

DIMENSIONS



Designed & Manufactured in Clearwater, FL
© 2024 Shadow-Caster® LEDs. All Right Reserved.

Shadow-Caster® LED Lighting | 2060 Calumet Street | Clearwater, FL 33765
p: +1 727.474.2877 e: info@shadow-caster.com w: shadow-caster.com