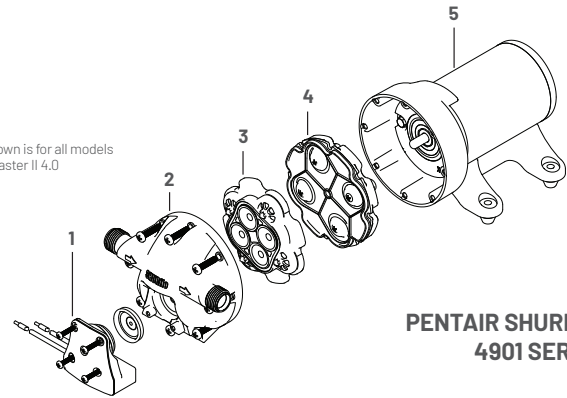
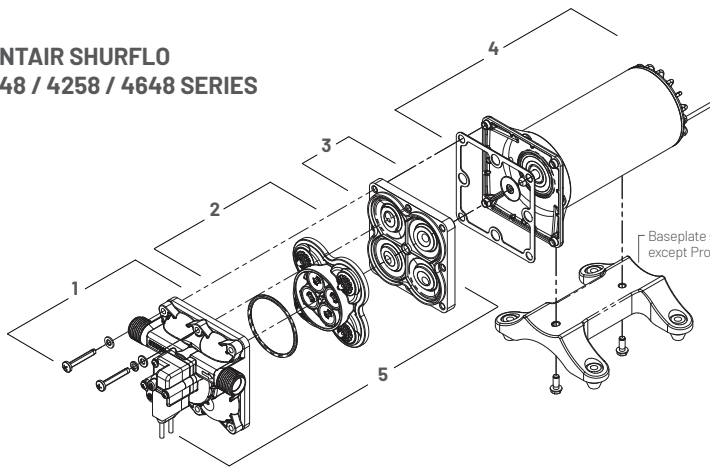


# PUMP REPAIR AND REBUILD KITS

## PENTAIR SHURFLO 4248 / 4258 / 4648 SERIES

Name	OEM Model # (Aftermarket)	Upper Assembly	Valve Assembly	Drive Assembly	Motor & Gasket	Pump Head	Check Valve (Not Shown)
		1	2	3	4	5	6
Shurflo Pro Blaster II Deluxe 4.0	4248-153-A09 [4248-153-E09]	94-804-02	94-800-01	94-801-02	94-71-001-07	94-804-03	94-800-03
Shurflo Pro Blaster II Deluxe 4.0 24 VDC	4248-163-A09 [4248-163-E09]	94-804-02	94-800-01	94-801-02	94-71-001-03	94-804-03	94-800-03
Shurflo Pro Blaster II Ultimate 5.0	4258-153-A09 [4258-153-E09]	94-804-02	94-800-01	94-801-02	94-71-004-17	94-804-03	94-800-03
Shurflo Pro Blaster II Ultimate 5.0 24 VDC	4258-163-A09 [4258-163-E09]	94-804-02	94-800-01	94-801-02	94-71-001-04	94-804-03	94-800-03
Shurflo Pro BaitMaster II 4.0	4648-153-A07 [4648-153-E07]	94-805-01	94-800-01	94-801-02	94-71-001-07	94-805-02	94-800-03
Shurflo Pro BaitMaster II 4.0 24 VDC	4648-163-A07 [4648-163-E07]	94-805-01	94-800-01	94-801-02	94-71-001-03	94-805-02	94-800-03

## PENTAIR SHURFLO 4248 / 4258 / 4648 SERIES



## PENTAIR SHURFLO 4901 SERIES

## PENTAIR SHURFLO 4901 SERIES

Name	OEM Model # (Aftermarket)	Switch	Upper Housing	Valve Assembly	Drive Assembly**	Motor
		1	2	3	4	5
Shurflo Aqua King® Premium	4901-4202 [4901-4212]	94-668-00	94-670-01	94-669-00	94-670-00	94-77-013-17
Shurflo Pro Blaster	4901-5292 [4901-5282]	94-668-00	94-670-01	94-669-00	94-670-00	94-77-013-17
Shurflo Pro Blaster 24 VDC	4901-5292 [4901-5282]	94-668-00	94-670-01	94-669-00	94-670-00	94-77-028-17
Shurflo Pro Baitmaster	4901-6202 [4901-6212]	94-668-00	94-670-01	94-669-00	94-670-00	94-77-025-17
Shurflo Pro Baitmaster 24 VDC	4901-7202 [4901-7212]	94-668-00	94-670-01	94-669-00	94-670-00	94-77-026-17
Shurflo Smart Sensor 4.0	4901-0201 [4901-0211]	—	94-670-01	94-669-00	94-670-00	—
Shurflo Smart Sensor 4.0 24 VDC	4901-1201 [4901-1211]	—	94-670-01	94-669-00	94-670-00	—

\*\* For use on pumps manufactured June 2006 or later.