

SIMRAD

AP70 MK2

Installation Manual

ENGLISH



Preface

Disclaimer

As Navico is continuously improving this product, we retain the right to make changes to the product at any time which may not be reflected in this version of the manual. Please contact your nearest distributor if you require any further assistance.

It is the owner's sole responsibility to install and use the equipment in a manner that will not cause accidents, personal injury or property damage. The user of this product is solely responsible for observing safe boating practices.

NAVICO HOLDING AS AND ITS SUBSIDIARIES, BRANCHES AND AFFILIATES DISCLAIM ALL LIABILITY FOR ANY USE OF THIS PRODUCT IN A WAY THAT MAY CAUSE ACCIDENTS, DAMAGE OR THAT MAY VIOLATE THE LAW.

Governing Language

This statement, any instruction manuals, user guides and other information relating to the product (Documentation) may be translated to, or has been translated from, another language (Translation). In the event of any conflict between any Translation of the Documentation, the English language version of the Documentation will be the official version of the Documentation.

This manual represents the product as at the time of printing. Navico Holding AS and its subsidiaries, branches and affiliates reserve the right to make changes to specifications without notice.

Trademarks

Navico® is a registered trademark of Navico Holding AS.

Simrad® is used by license from Kongsberg.

Copyright

Copyright © 2018 Navico Holding AS.

Warranty

The warranty card is supplied as a separate document.

In case of any queries, refer to our websites:

www.navico.com/commercial and www.simrad-yachting.com.

Compliance

Navico declare under our sole responsibility that the product conforms with the requirements of:

- C - Tick
- CE under EMC Directive 2014/30/EU
- the European Council Directive 2014/90/EU on Marine Equipment modified by Commission Implementing Regulation (EU) 2018/773 (MED) - Wheelmark

→ **Note:** The AP70 MK2 system is Wheelmark approved only when installed according to the relevant AP70 MK2 MED-B certificate.

The relevant declaration of conformity is available in the product's section at the following website: www.navico-commercial.com

About this manual

This manual is a reference guide for installing and commissioning the Simrad AP70 MK2 Autopilot Systems.

The manual will be continuously updated to match new software releases. The latest available manual version can be downloaded from our websites.

Intended audience

This manual is written for professional installation and service engineers.

The manual assumes that the reader has basic knowledge about this type of equipment in regards to:

- installation work to be carried out
- nautical terminology and practices

Important text conventions

Important text that requires special attention from the reader is emphasized as follows:

→ **Note:** Used to draw the reader's attention to a comment or some important information.

⚠ Warning: Used when it is necessary to warn personnel that they should proceed carefully to prevent risk of injury and/or damage to equipment/personnel.

Change log

Part no	Date and description
988-12374-001	2019 January 11
	First version

Contents

7 Introduction

- [7](#) Wheelmark approval
- [7](#) System overview
- [11](#) Autopilot Control unit
- [13](#) Autopilot computers
- [14](#) Computer boards

17 Mounting

- [17](#) General
- [17](#) Mounting location
- [17](#) AP70 MK2 control unit
- [20](#) Autopilot computers

21 Wiring

- [21](#) Wiring guidelines
- [21](#) Autopilot system, basic wiring principles
- [22](#) CAN bus
- [23](#) Power supply
- [25](#) FU80, NF80 and QS80 Remote control units
- [25](#) Steering levers
- [26](#) NMEA 2000 and SimNet devices
- [26](#) IEC61162-1/2 (NMEA 0183) devices
- [27](#) Autopilot computers
- [28](#) Drive units
- [33](#) Rudder feedback
- [35](#) Alarm interface
- [36](#) External I/O
- [39](#) External system selection
- [39](#) External mode selection - pulse
- [40](#) ECDIS system
- [40](#) Backup navigator alarm

41 System configuration

- [41](#) General
- [41](#) Settings dialog and submenus
- [41](#) Turning on for the first time
- [41](#) Network settings
- [46](#) Installation settings
- [54](#) Sea trials

59 Installation checklist

- [59](#) General
- [59](#) Checklist
- [60](#) Installation settings
- [62](#) Installed units

63	Specifications
63	AP70 MK2 Autopilot system
64	AP70 MK2 control unit
65	Autopilot computers
67	Computer boards
70	AP70 MK2 connector pinouts
71	Supported data
72	Drawings
72	AP70 MK2 control unit
73	AC70 and SI80 computer
73	SD80 and AD80 computers
74	AC80A and AC80S computer
74	AC85 computer

1

Introduction

Wheelmark approval

The AP70 MK2 systems are produced and tested in accordance with the European Council Directive 2014/90/EU on Marine Equipment modified by Commission Implementing Regulation (EU) 2018/773 (May 2018) (HCS and HSC). This means that these systems comply with the highest level of tests for non-military marine electronic navigation equipment existing today.

While the AP70 MK2 may be installed on vessels not needing to comply with the Marine Equipment Directive, those requiring compliance must have one control unit set-up as a “master unit” in order for the installation to be approved.

Navico has no responsibility for the incorrect installation or use of the autopilots, so it is essential for the person in charge of the installation to be familiar with the relevant requirements as well as with the contents of this manual, which covers correct installation of the autopilot system.

- **Note:** AP70 MK2 systems are not wheelmark approved when used with an AC70 computer. However an AC70 board installed in an AC85 can be used in a Wheelmark approved system.
- **Note:** When a complete system (e.g. an autopilot system) is wheelmark approved, only the main unit(s) in the system identifies the wheelmark approval. This to avoid the misunderstanding that all optional units in a system retain their wheelmark approval even if they are installed in a not approved system. The type examination certificate (MED-B) for the wheelmarked system lists all optional equipment that is part of the wheelmark approval. The EC Declaration of Conformity will also show which units that are part of the approval.

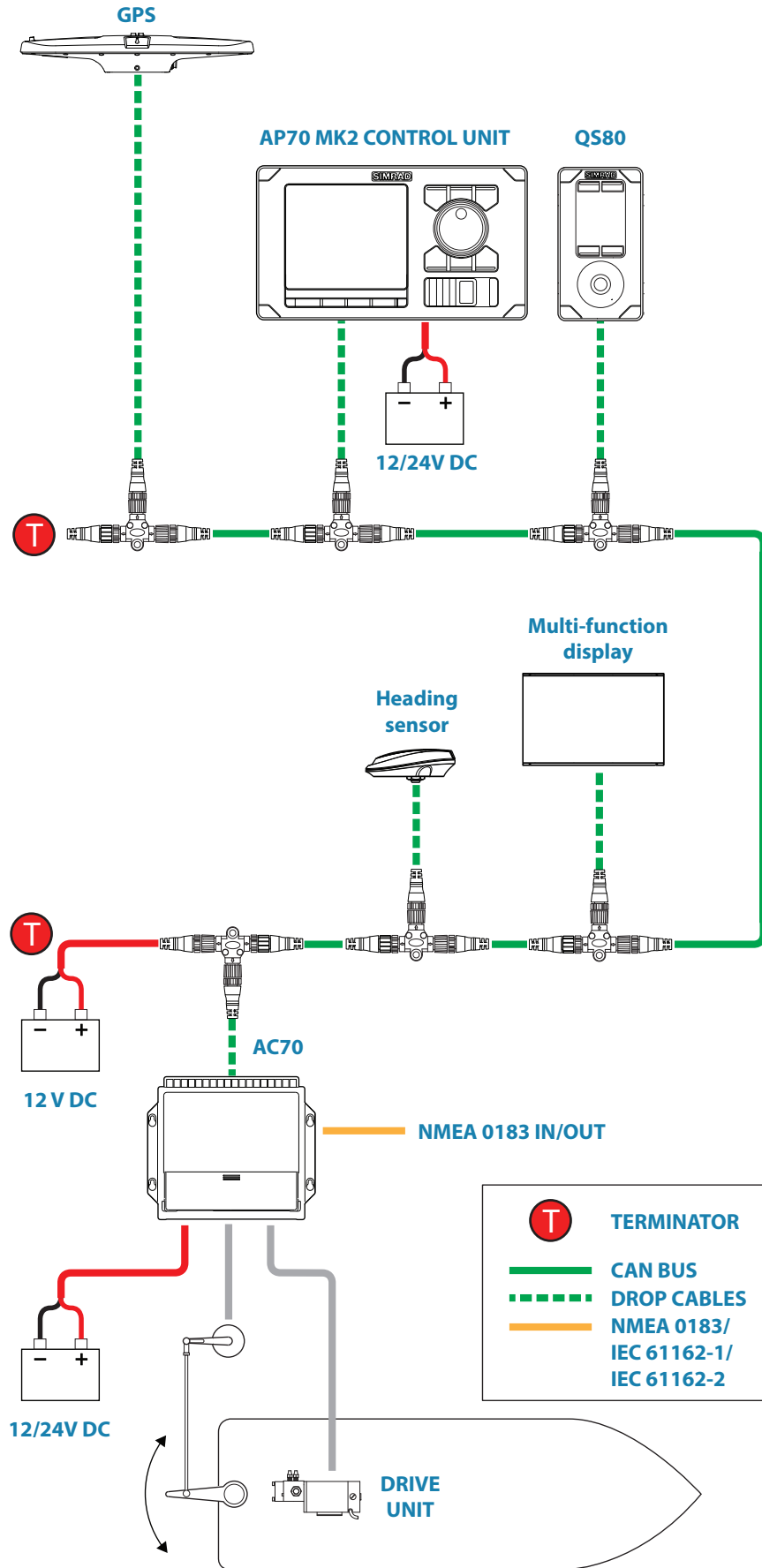
System overview

The AP70 MK2 systems include several modules that need to be mounted in different locations on the vessel and that need to interface with at least three different systems on the boat:

- The boat’s steering system
- The boat’s electrical system (input power)
- Other equipment on board

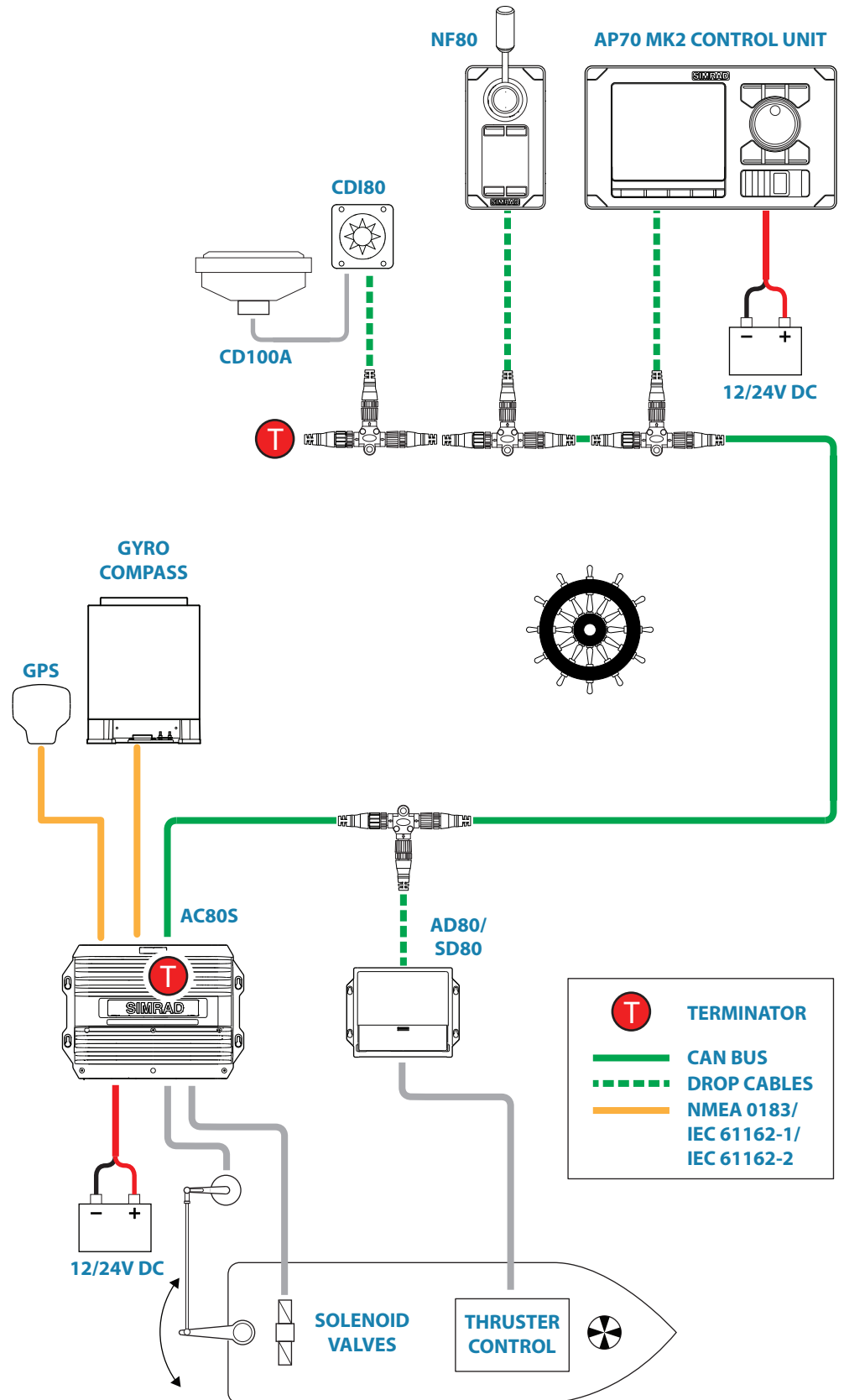
It is important to become familiar with the configuration of the system prior to beginning the installation.

Simple system example (Not Wheelmark-approved)



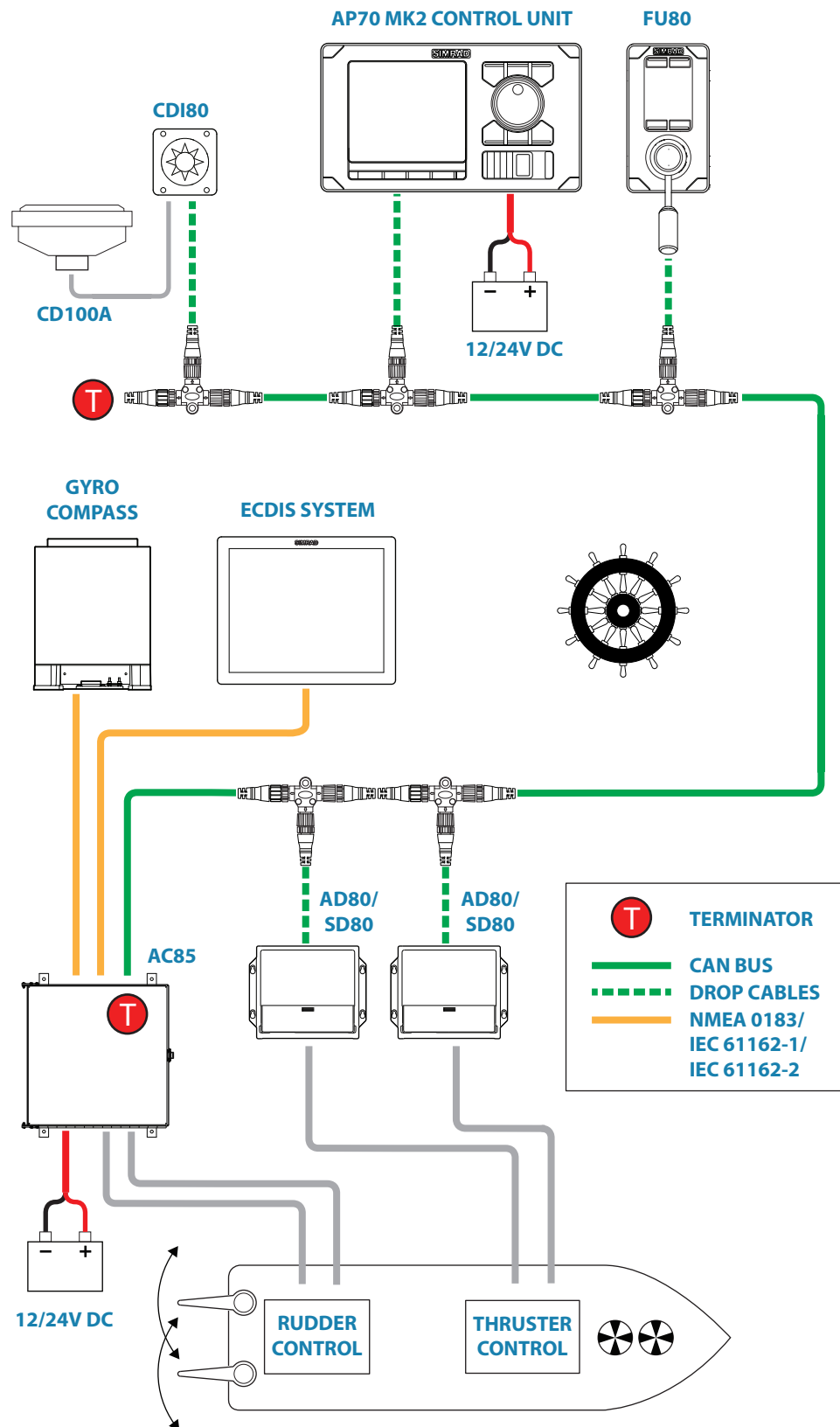
Simple system example (Wheelmark-approved)

→ **Note:** In wheelmark approved installations, the CAN bus network is used for internal communication between autopilot system components. Sensors must be connected via an SI80 board located in an SI80, AC80A, AC80S or AC85 computer.



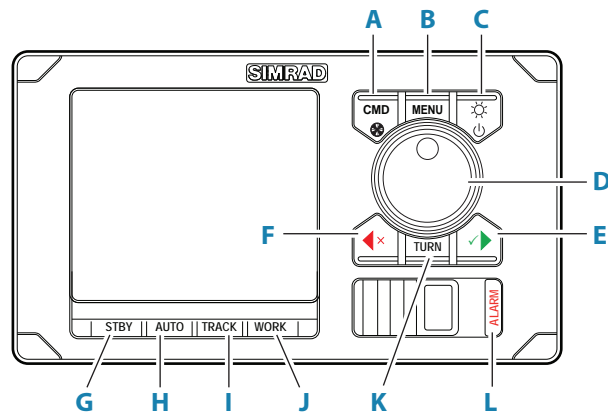
Advanced system example (Wheelmark-approved)

→ **Note:** In wheelmark approved installations, the CAN bus network is used for internal communication between autopilot system components. Sensors must be connected via an SI80 board located in an SI80, AC80A, AC80S or AC85 computer.



Autopilot Control unit

Front - controls



A Command/Thruster key

- press to take/request command
- press and hold to activate/deactivate available thrusters

B Menu key

- press once to display the Quick menu
- press twice to show the Settings menu

C Power/Brilliance key

- press to display the Display setup dialog
- press and hold to turn the unit to sleep mode

D Rotary knob

Menu and dialog operation:

- turn to move up and down in menus and dialogs
- turn to adjust a value
- press to select a menu option and to enter the next menu level

In Standby and NFU mode:

- press and hold to activate Follow up (FU) mode

In FU mode:

- turn to set the rudder angle

In automatic modes:

- turn to change the set heading/set course, press to re-activate automatic mode with current heading/course as reference

E Starboard (confirm) key

Menu and dialog operation:

- press to confirm/enter next menu level

In Standby mode:

- press to activate NFU mode

In automatic modes:

- press to change set heading/set course to starboard

F Port (cancel) key

Menu and dialog operation:

- press to cancel and to return previous menu level
- press and hold to close the menu

In Standby mode:

- press to activate NFU mode

In automatic modes:

- press to change set heading/set course to port

G Standby key

- press to turn the autopilot to Standby mode

H Auto key

- press once to activate Auto or NoDrift mode
- re-press to toggle between the Auto and NoDrift mode options

I Track key

- press to activate Nav mode

J Work key

- press to display the Work quick menu

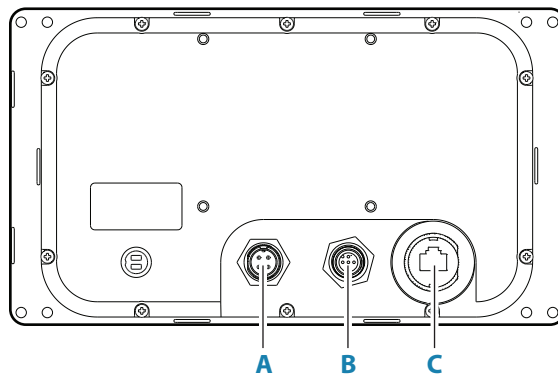
K Turn key

- press to display the Turn quick menu

L Alarm key

- press to display the list of active alerts

Rear - connectors



- A** 4 pin connector for 12/24 V DC local power, External alarm/Active unit OUT
- B** Micro-C connector for CAN bus
- C** Ethernet network port



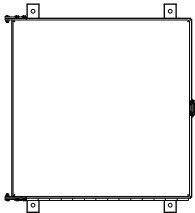
SD80
AD80



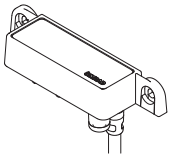
AC70
S180



AC80A
AC80S



AC85



SG05
PRO

Autopilot computers

The AP70 MK2 systems use a combination of 5 different enclosures and 4 boards to form a flexible computer and interface system.

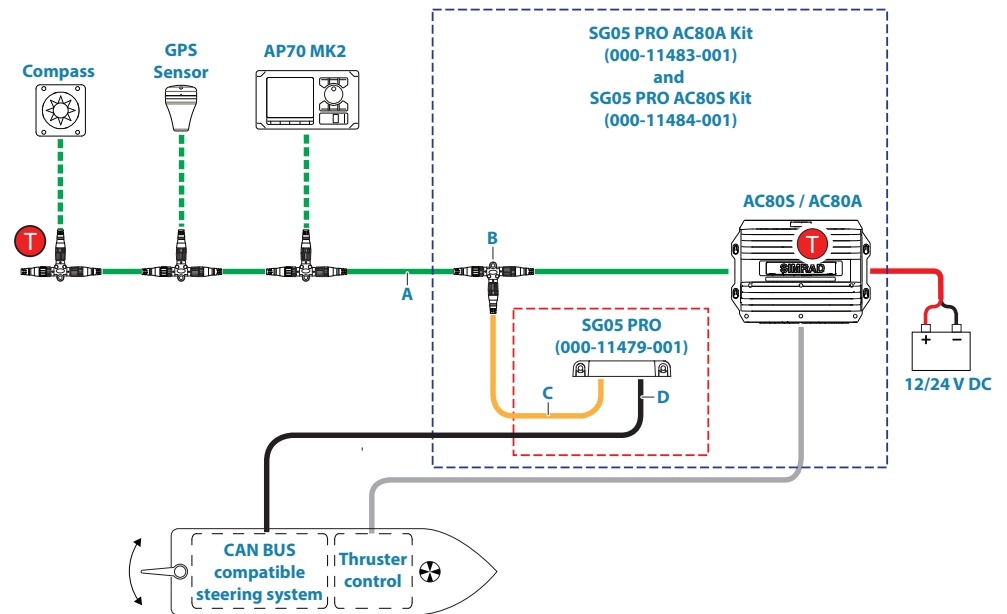
There are 7 standardized and 1 customized computers with built-in and optional boards as shown below.

Refer "Computer boards" on page 67

SG05 PRO

The SG05 PRO Autopilot Computer provides autopilot control from AP70 MK2 control units to CAN bus/EVC steering systems.

The SG05 PRO receives sensor data (drive/rudder angle and boat speed) from the EVC, does steering calculations and sends drive/rudder commands back to the EVC system which brings drive/rudder to commanded angle.



- A** Micro-C backbone
- B** Micro-C-T-joiners
- C** SimNet to Mircor-C (male) drop cable
- D** SD05 cable, female
- T** Terminators

→ Notes:

- For IMO approval, the system must contain an AC80S or AC80A Computer.
- A separate Installation Guide if delivered with the SG05 unit.

Standard computers

The standardized computers have the following built-in boards:

Computer	AC70 board	AD80 board	SD80 board	SI80 board
AC70	x			
SI80				x
AD80		x		
SD80			x	
AC80A		x		x
AC80S			x	x
SG05 PRO	For CAN bus compatible steering system			

Customized computer

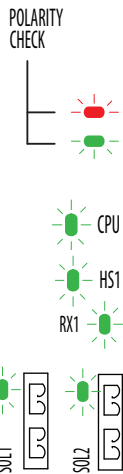
The AC85 computer is supplied with 1 SI80 board, and have space for up to 3 additional boards:

Computer	AC70 board	AD80 board	SD80 board	SI80 board
AC85	Optional	Optional	Optional	x 1 Optional

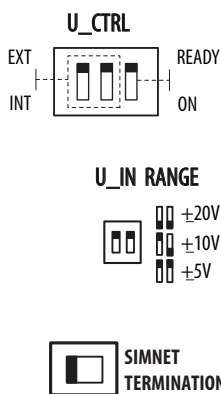
Computer boards

Indicator diodes and switches

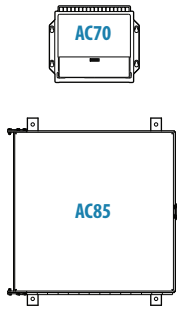
Indicator diodes and switches are available on the boards as shown in the tables below.



LED	Description	AC70	AD80	SD80	SI80
Polarity check	Red: wrong polarity Green: correct polarity	x			x
CPU	1Hz alternating green: CPU is running correctly Rapid flashing: Application program is missing	x	x	x	x
HS	Green: Handshake output is on		x	x	
RX	Living green: Serial data is received	x			x
SOL	Green: Solenoid command is given			x	



Switch	Description	AC70	AD80	SD80	SI80
U_CTRL	Selection of internal $\pm 10V$ or external reference voltage for analog voltage control output. → Note: For 4-20 mA current control, switches must be set to internal ref. voltage		x		
U_IN RANGE	Range setting of analog voltage input signal for rudder feedback, follow up wheel or remote DP control		x	x	
SIMNET TERMINATION	ON (to the left) or off setting of 120 ohm CAN bus termination. → Note: Termination must be set to ON when the board is at one end of the CAN bus backbone, otherwise it must be set to OFF.				x

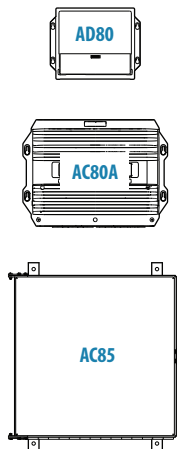
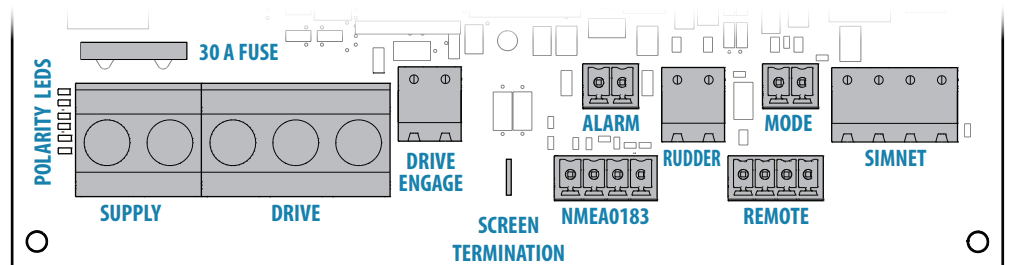


AC70 board

Drive computer board for rudder or other steering gear i.e. Voith Schneider, reversible motor or galvanic non-isolated solenoids.

Includes:

- SUPPLY - power supply 12/24 V in
- DRIVE - output for Motor or solenoid command
- DRIVE ENGAGE - output for clutch/bypass valve or auto mode signal for oil flow valve etc
- ALARM - Output for external alarm buzzer
- NMEA 0183 - in/out for IEC 61162-1, -2 and NMEA 0183
- RUDDER - Input for frequency rudder feedback
- REMOTE - Input for NFU steering lever
- MODE - Input for external mode selector
- SIMNET - connection to CAN network

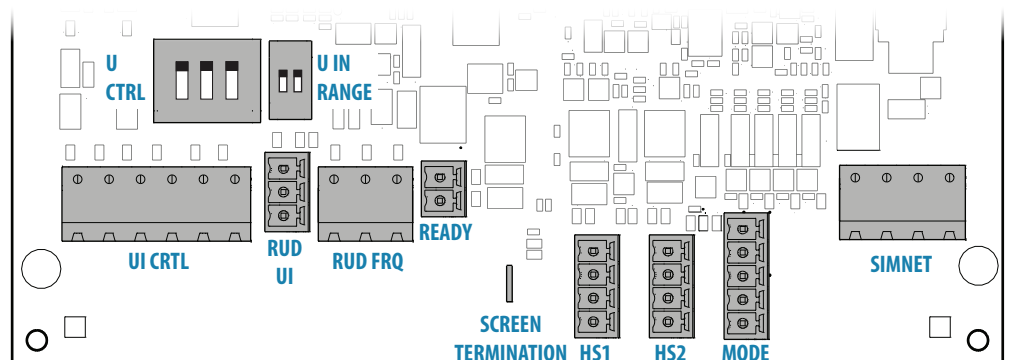


AD80 board

Drive computer board for rudder or thruster, supporting analog voltage or low current signals for angle or proportional control.

Includes:

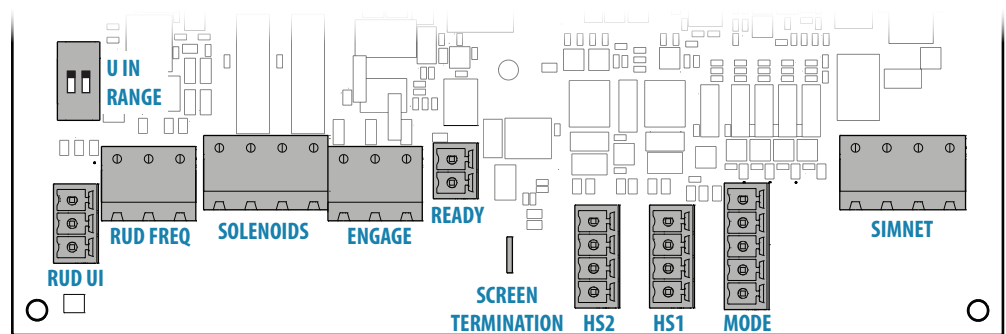
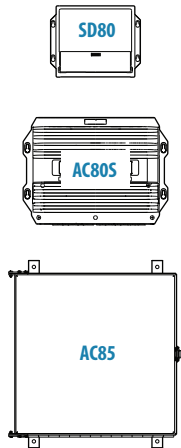
- UI CTRL - output for analog voltage low current command
- RUD UI - Input for analog (voltage or current) rudder feedback
- RUD FRQ - Input for frequency rudder feedback
- READY - output for ready contact when board is up running ready for control
- HS1 - Generic in/out handshake signal port 1
- HS2 - Generic in/out handshake signal port 2
- MODE - Input for external mode selector
- SIMNET - connection to CAN network



SD80 board

Drive computer board for rudder or thruster, supporting galvanic isolated solenoids or high current signals for angle or proportional speed control.

- Includes:
- RUD UI - Input for analog voltage or current rudder feedback
- RUD FRQ - Input for frequency rudder feedback
- SOLENOIDS - Galvanic isolated output for solenoid command
- ENGAGE - For operating bypass or dual speed valve, clutch etc for hydraulic or mechanical drive units
- READY - output for ready contact when board is up running ready for control
- HS1 - Generic in/out handshake signal port 1
- HS2 - Generic in/out handshake signal port 2
- MODE - Input for external mode selector
- SIMNET - connection to CAN network

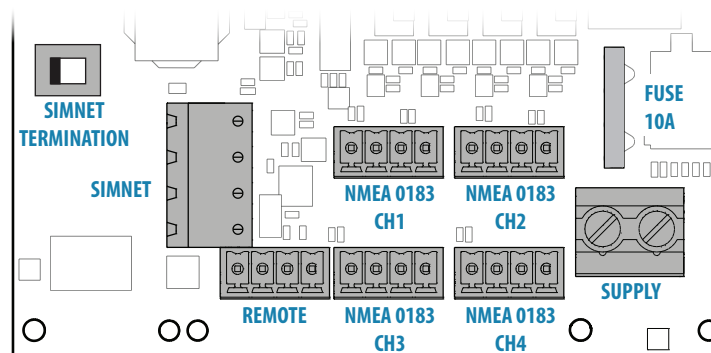
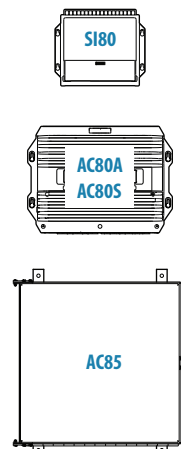


SI80 board

A four channel NMEA 0183 interface computer board and voltage supply for CAN bus.

Includes:

- SIMNET TERMINATION - Switch for CAN bus termination ON/OFF
- SIMNET - SimNet 15 V out
- REMOTE - Input for NFU steering lever
- NMEA 0183 CH.. - 4 i/o NMEA/IEC 61162-1/IEC 61162-2 channels
- SUPPLY - power supply 12/24 V in



2

Mounting

General

Mechanical installation of optional equipment are described in separate manuals following the units. These manuals can also be downloaded from our websites: www.navico.com/commercial.

Mounting location

The units should be mounted with special regard to the units' environmental protection, temperature range and cable length. Poor ventilation may cause the units to overheat. Refer "Specifications" on page 63.

The mounting location must allow for required working area when connecting the cables. Also ensure that the location for the computer units allow viewing the board's LED indicators.

The mounting surface needs to be structurally strong, with as little vibration as possible. If possible, mount the unit close to the edges of a panel to minimize vibration.

Ensure that any holes cut are in a safe position and will not weaken the boat's structure. If in doubt, consult a qualified boat builder. Ensure that there are no hidden electrical wires or other parts behind the panel.

The control unit should be mounted so that the operator can easily use the controls and clearly see the display screen. For best result, install the display away from direct sunlight and in a location with minimal glare from windows or bright objects.

When panel mounting the control unit and the remotes, the mounting surface must be flat and even to within 0.5 mm.

The units conforms to the appropriate Electromagnetic Compatibility (EMC) standards, but proper installation is required to obtain the best use and performance from this product. Ensure you have as much separation as possible between different electrical equipment.

AP70 MK2 control unit

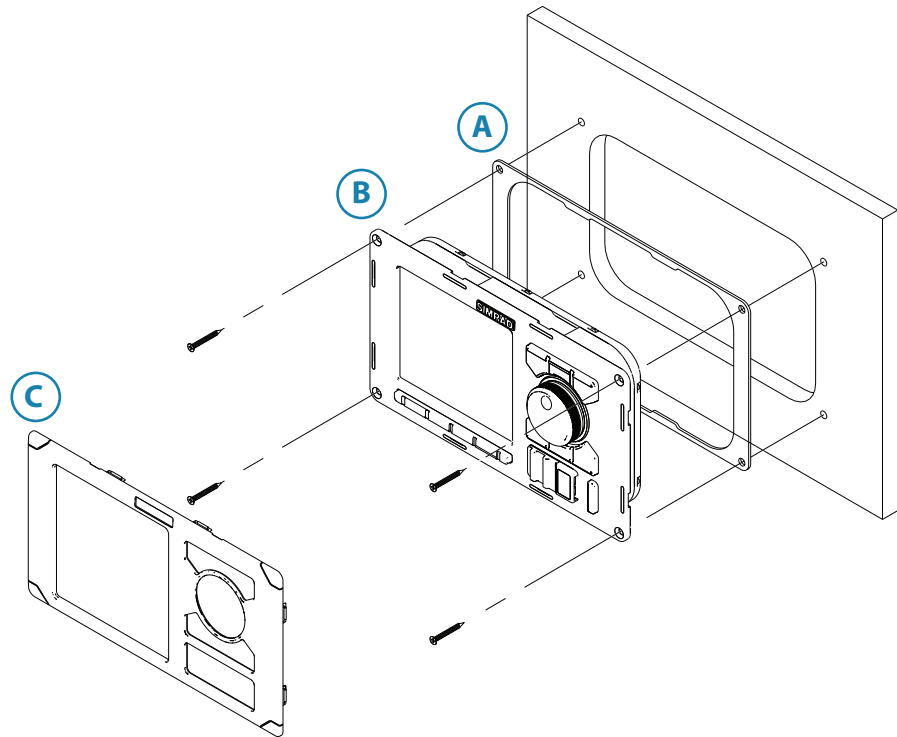
The nominal viewing distance for the AP70 MK2 is 0.85 m (2.79 ft).

Avoid mounting a control unit where it is easily exposed to sunlight, as this will shorten the lifetime of the display. If this is not possible, make sure the unit is always covered with the optional protective cover when not in use.

Panel (flush) mount

1. Attach the mounting template to the selected mounting position
2. Drill pilot holes for the 4 saw cut holes and for the 4 self-tapping screws used to secure the unit. If using M4 machine screws, use a 5 mm (0.20 ") drill bit
3. Use a 25 mm (1 ") hole saw to cut the four corner radius
4. Cut along the dotted line and remove waste material
5. Peel backing off the gasket and apply it to the unit (A)
6. Connect the cables to the rear of the unit before placing the unit into the console
7. Secure the display to the surface with 4 screws (B)
8. Firmly clip the bezel in place (C)

→ **Note:** The bezel may not be used for flush/low profile installations.

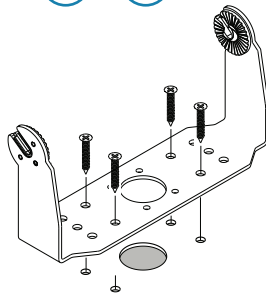


Bracket mount (option)

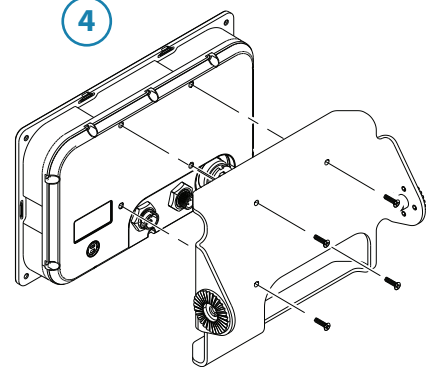
→ **Note:** When the control unit is bracket-mounted, it is not weatherproof from the back due to a breathing hole in the back cabinet. When bracket-mounted, the exposed parts of the plugs should be protected against salt corrosion.

1. Use the bracket base as a template to mark the screw hole location
2. Drill pilot holes and hole for cables if required
3. Secure the bracket base to the surface
4. Secure the bracket's adapter to the rear of the control unit using the 4 screws supplied with the bracket
5. Align the bracket base with the cradle and partially screw in the bracket knobs one at a time
6. Adjust the unit for best viewing angle, and tighten the bracket knobs

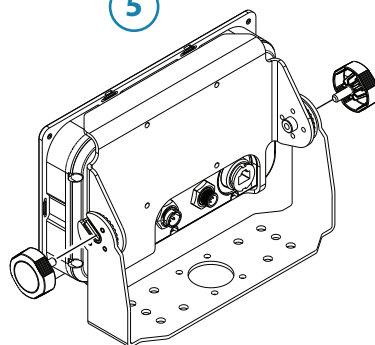
1 - 3



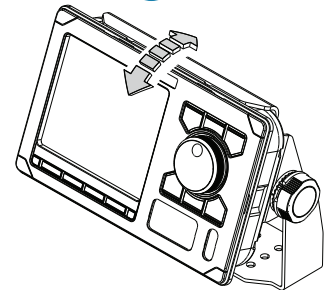
4

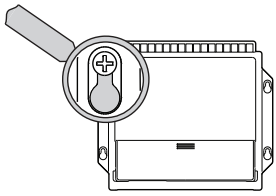


5



6





Autopilot computers

The mounting location must allow for required working area when connecting the cables. Also ensure that the location for the computer units allow viewing the board's LED indicators. The mounting surface needs to be structurally strong, with as little vibration as possible. If possible, mount the unit close to the edges of a panel to minimize vibration.

Ensure that any holes cut are in a safe position and will not weaken the boat's structure. If in doubt, consult a qualified boat builder. Ensure that there are no hidden electrical wires or other parts behind the panel.

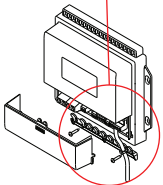
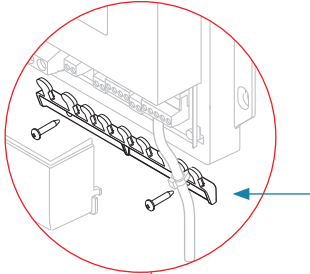
Preferably, mount the computers with the cable entries exiting downwards.

Mount the cable retainer included with the AC70, SI80, SD80 and AD80 on the wall beneath the unit.

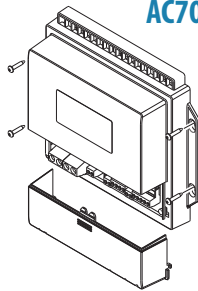
An isolating gasket is included with the AC80A/AC80S computers. This must be used as a galvanic isolator if the unit is mounted on a metal surface.

The SG05 PRO Autopilot Computer has 2 SimNet ports to connect either via a drop cable or inline as part of the network backbone.

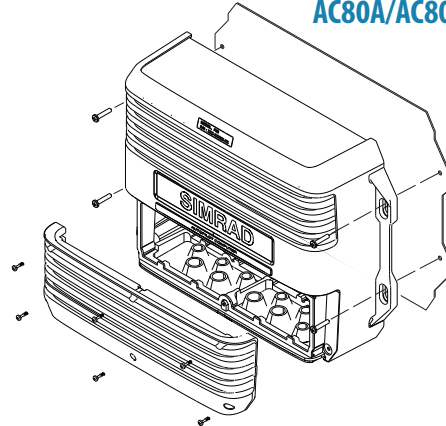
For Micro-C based networks, use the SimNet to Micro-C (male) converter cable.



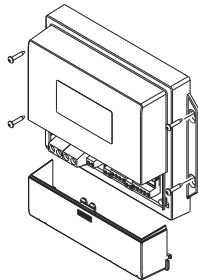
AC70/SI80



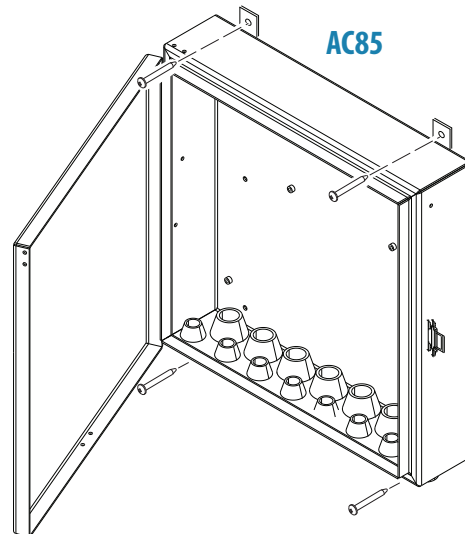
AC80A/AC80S



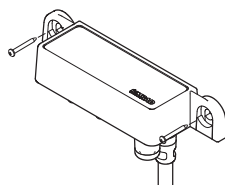
SD80/AD80



AC85



SG05 PRO



→ **Note:** The autopilot computers are not waterproof. Refer "Specifications" on page 63.

3

Wiring

Wiring guidelines

CAN network cables and other signal cables (i.e. compass, feedback, NMEA) should not be run in parallel with other cables carrying radio frequency or high current, such as VHF and SSB transmitters, battery chargers/generators, and winches.

Don't make sharp bends in the cables, and avoid running cables in a way that allows water to flow down into the connectors. If required, make drip and service loops.

If cables are shortened, lengthened or re-terminated, do insulate and protect all wiring connections.

Most of the units are communicating on the CAN bus with drop cables. Try mounting the units within the standard cable length supplied with each unit. Additional cables and cable extensions are available from our distributors.

⚠ Warning: Before starting the installation, be sure to turn electrical power off. If power is left on or turned on during the installation, fire, electrical shock, or other serious injury may occur. Be sure that the voltage of the power supply is compatible with the specification for the units.

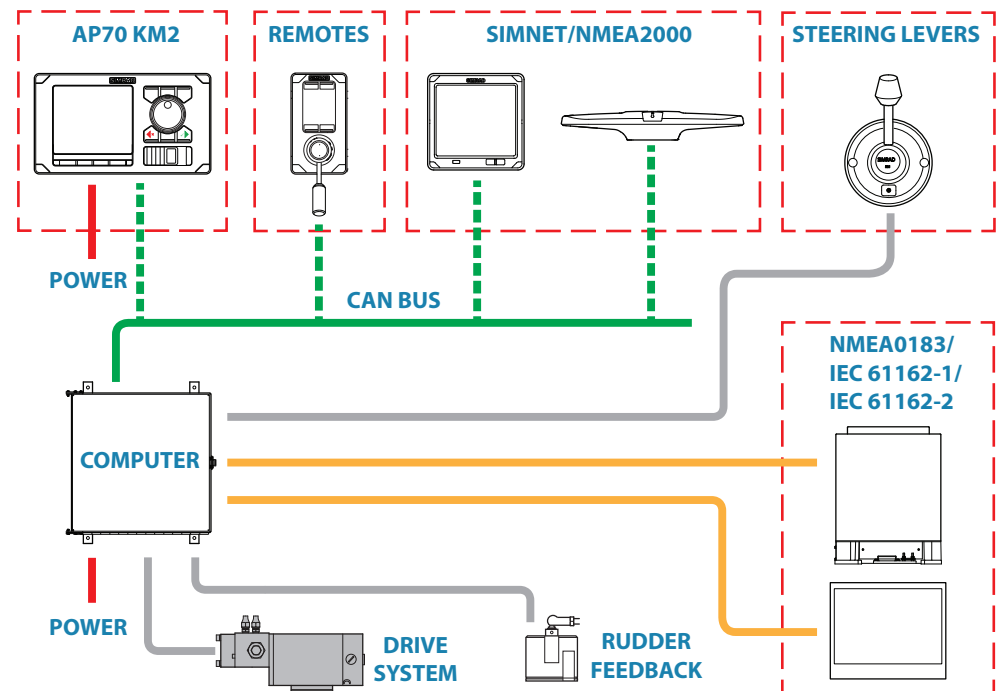
Autopilot system, basic wiring principles

The AP70 MK2 autopilot system use a CAN bus backbone, which makes it simple to interface to SimNet and NMEA 2000 devices.

NMEA 0183 devices, rudder feedbacks and other control devices can be connected to an autopilot computer.

In a standard system the CAN bus is powered by the AC80A, AC80S, SI80 or AC85 Autopilot computer. The AP70 MK2 control unit has separate power supply.

The following sections describe installation of the components listed in the illustration below. Refer to separate manuals for detailed information about each interfacing unit.



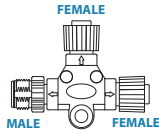
CAN bus

The CAN bus is based on the well known SimNet plug & play concept and on the NMEA 2000 SAE J1939 protocol. Hard wiring is based on standard NMEA 2000 cables with Micro-C type connectors and joiners.

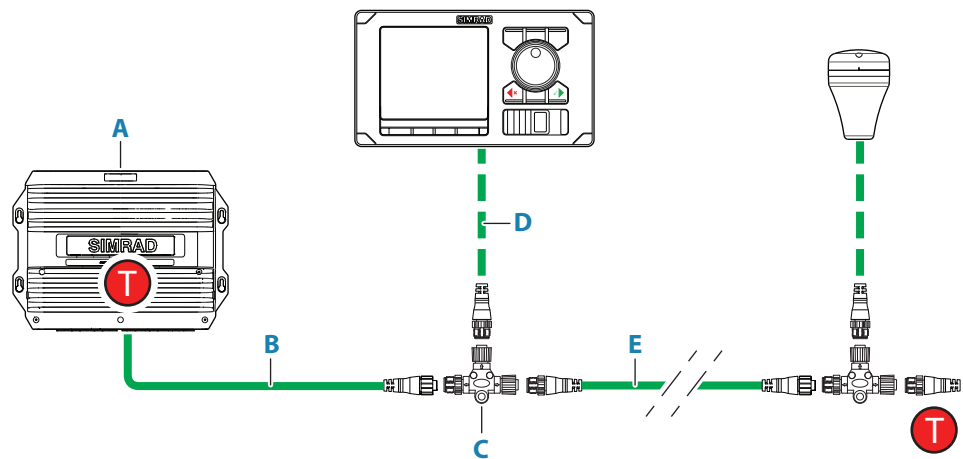
The bus consists of a linear backbone, using drop cables and Micro-C T-joiners for connecting NMEA 2000 and SimNet devices.

The bus has a maximum cable length of 150 m (500 ft), and a drop cable has a maximum length of 6 m (20 ft).

In a default autopilot system the CAN bus backbone expands from the AC80A or AC80S Autopilot computer, which supplies power to the backbone. There will always be a female connector in the expanding end of the backbone cables.



For powering the CAN bus, see “Powering the CAN bus” on page 23.



A	AC80 Autopilot computer with built-in CAN bus terminator on the SI80 board
B	0,6 m (2 ft) pigtail cable, female connector
C	Micro-C T-joiner
D	CAN bus drop cable, connectors in each end (female - male)
E	CAN bus backbone, various lengths available. Connectors in each end
T	Terminator, 120 ohm, male

→ **Note:** If cables are not supplied by Simrad, ensure that they meet NMEA 2000/IEC61162-1/2 requirements.

Planning and installing a network backbone

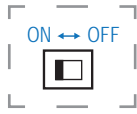
- Plan the network carefully
 - It is recommended to create a diagram of the network prior to starting the installation
- Run the backbone between the locations of all CAN devices you want to install
 - It must be less than 6 m (20 ft) cable run from a device to the backbone
- Consider the load/current draw from the devices
 - Refer “Network LEN” on page 24

For network cables and components, refer to our website.

Terminating the CAN bus

The CAN bus must have a terminator at each end of the backbone.

In a default autopilot system the CAN bus expands from the AC80A, AC80S or AC85 Autopilot computer. This computer includes a terminator on the SI80 board, enabled by the micro switch.



- Set the switch to ON when the SI80 board is at the end of the CAN bus
- Set the switch to OFF when the SI80 board is used as additional power supply to the CAN bus

Factory default setting of SI80 terminator is OFF.

For location of the dip switch, refer to the illustrations inside the computer unit.

A terminator in the other end of the CAN bus can be of the following:

- An SI board (in SI80, AC80A, AC80S or AC85 computer) with enabled terminator
- A power cable with built-in terminator (plug marked 120 ohm)
- A single terminator plug (marked 120 ohm)

Shield connection

It is required to use shielded cables to meet radio frequency interference requirements as defined in the NMEA 2000 specification:

- The shield shall not be electrically connected within the interface to the electronic device chassis or ground
- The shield shall be electrically continuous through the network connection
- The shield shall be connected to the DC negative of the backbone power supply

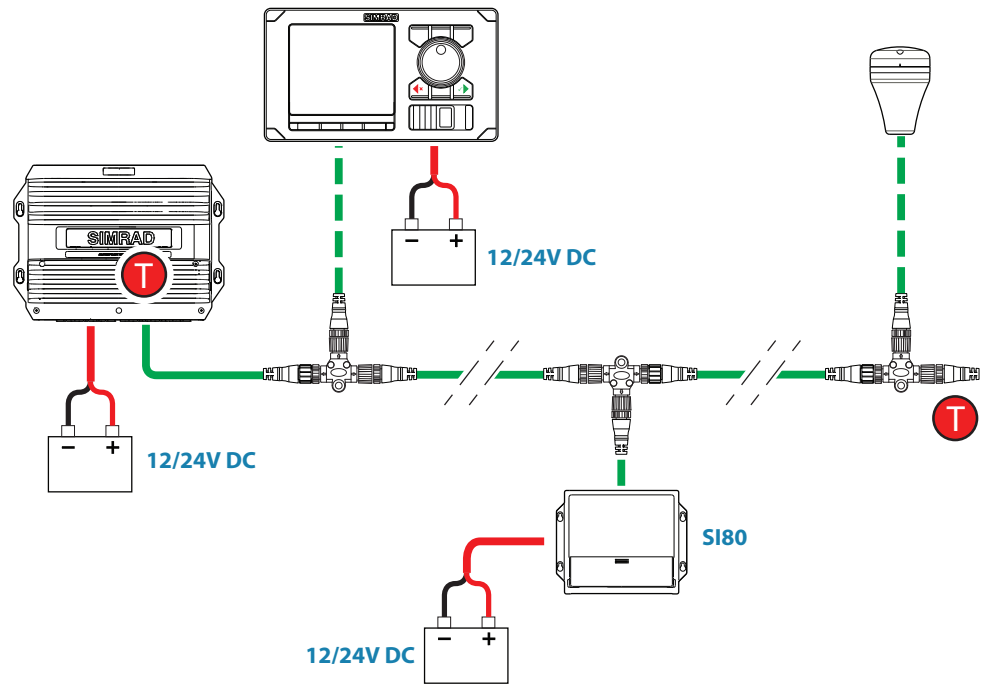
Power supply

- **Note:** Wheelmark/US Coast Guard approved systems require a Power Failure alarm. In such installations the master station control unit and the autopilot computer with the SI80 board for CAN bus supply must be connected to different independent power supplies.
- **Note:** It is recommended to install an external on/off switch for the Autopilot Computer power supply.
- **Note:** Do not connect the power cable to the same terminals as the start batteries, drive units, thruster or other high current products.
- **Note:** If joining to an existing NMEA 2000 network or similar CAN bus network that has its own power supply, use an NMEA 2000 Gateway to isolate the two power supplies.

Powering the CAN bus

In a default autopilot system the SI80 board (in the SI80, AC80A, AC80S or AC85 computer) is used for powering the CAN bus backbone.

For larger systems additional power should be added at a central point in the backbone to balance the voltage drop of the network. Additional power should be supplied by using an SI80 board. Refer "Network LEN" on page 24.

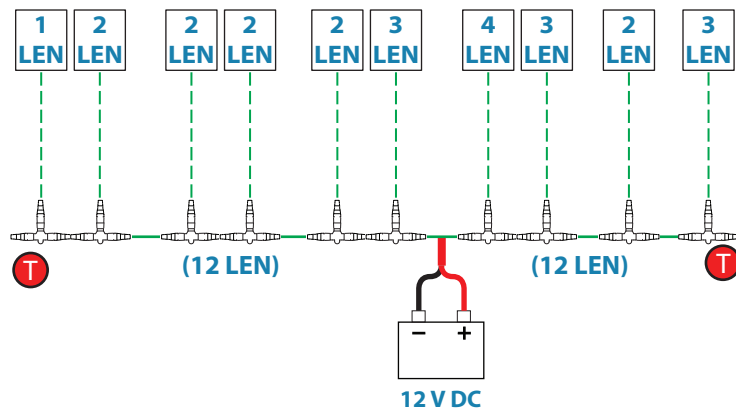


Network LEN

When you have a larger system with network power in center of the backbone you should make the installation such that the load/current draw from the devices in each side/branch is equal.

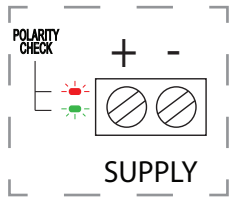
For LEN numbers, see “Specifications” on page 63.

→ **Note:** 1 LEN (Load Equivalency Number) equals 50 mA current draw.



Powering drive units

AC70 computer requires separate power supply for drive units. Refer “Autopilot computers” on page 27.



Polarity protection

For supply to SI80 and AC70 boards, pay special attention to polarity protection.

The main supply fuse for these units is supplied loose in the bag with the cable plugs, and it should not be put in place before polarity is checked.

1. Connect the power wires, and verify that the green diode is lit
 - A red diode indicates wrong polarity, and the wires must be swapped
2. Switch off the power supply voltage and put the fuse into correct position

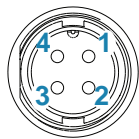
The illustration shows power terminal and diodes on the AC70 board. For location of terminals, fuse and diodes on the board, refer to the illustration inside the computer unit.

Powering the AP70MK2 control unit

The AP70 MK2 control unit is powered directly from a 12 V DC or 24 V DC source.

The units are protected against reverse polarity, under voltage and over voltage.

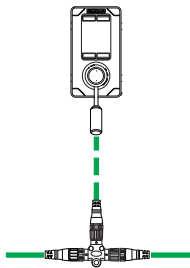
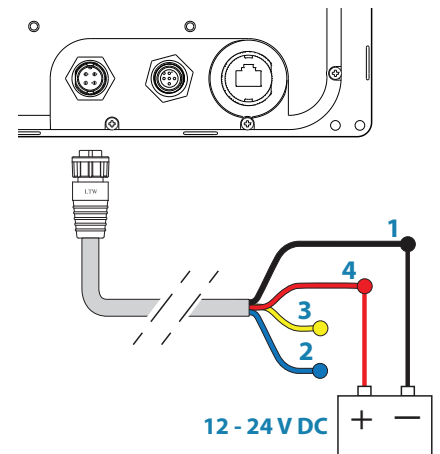
Power cable connector (female)



Pin	Color	Description
1	Black	Battery (-)
2	Blue	Alarm/Active
3	Yellow	External command
4	Red	Battery (+), 12 - 24V DC

→ **Note:** It is recommended to install an external on/off switch for power.

→ **Note:** Do not connect the power cable to the same terminals as the start batteries, drive units, thruster or other high current products



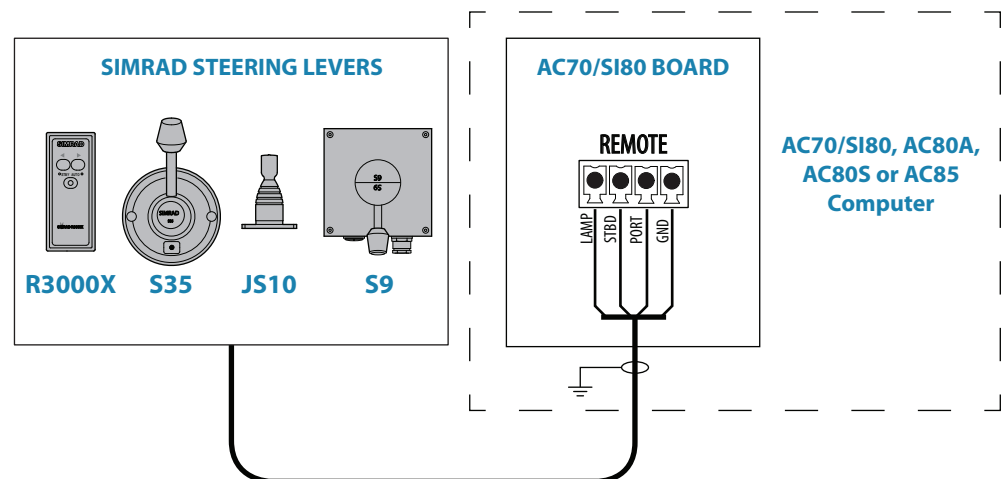
FU80, NF80 and QS80 Remote control units

FU80, NF80 and QS80 Remote control units connect to the CAN bus by drop cables and Micro-C T-joiners. The remotes are powered from the backbone.

For details see the separate manual for these remote units.

Steering levers

Connects to: AC70 board (in AC70 computer) or SI80 board (in SI80, AC80A, AC80S or AC85 Computer)



Wire color/Internal remote termination				AC70/SI80 board termination
S35	R3000X	JS10	S9	
Yellow	Yellow	N/C	N/C	Lamp
Brown/White	Green	Green	B2	STDB
Pink/Grey	Red	Red	B1	Port
Green	Blue	Blue	B3	GND

Interchange the Port and Starboard wires on the AC70/SI80 board if necessary to make the command from the keys/lever coincide with the direction of the rudder movement.

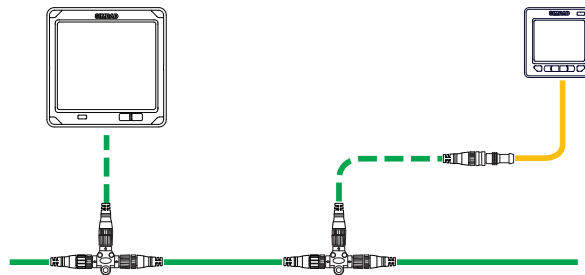
NMEA 2000 and SimNet devices

NMEA 2000 devices can be connected to the CAN bus providing they are NMEA 2000 certified, meets the CE, FCC regulations and do not exceed the load specification.

NMEA 2000 devices and SimNet devices with Micro-C connectors will connect directly to the CAN bus backbone using drop cables and Micro-C T-joiners.

→ **Note:** It is recommended to use a gateway when connecting non-Simrad units to the CAN bus backbone.

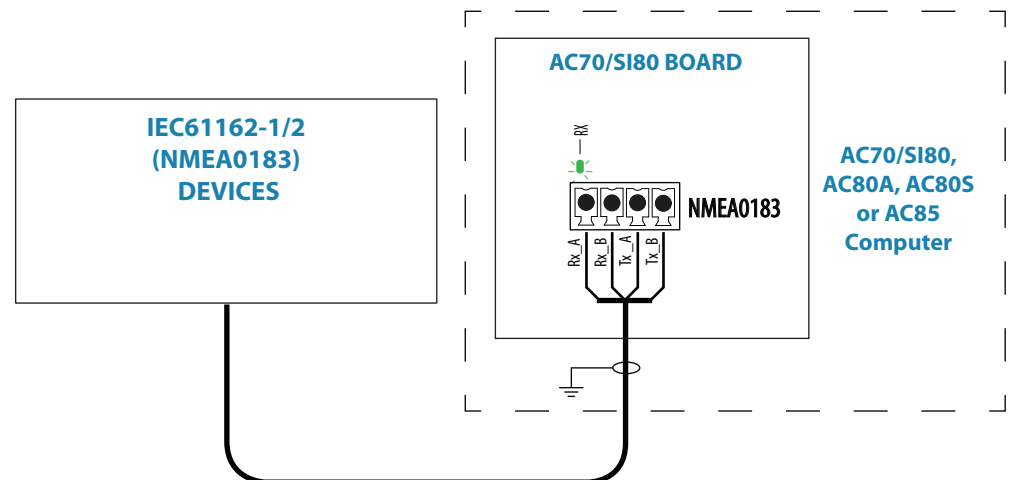
Devices with only SimNet connectors must be connected using a SimNet to Micro-C adapter cable.



IEC61162-1/2 (NMEA 0183) devices

Connects to: AC70 (in AC70 or AC85 Computer) and SI80 board (in SI80, AC80A, AC80S or AC85 computer).

The AC70 board have 1 NMEA 0183 terminal, while the SI80 board includes 4 NMEA 0183 terminals.



The green LED at each NMEA terminal lights up when serial data is received.

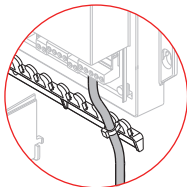
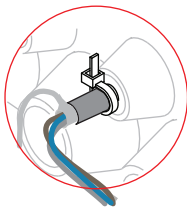
The board uses the serial RS422 (IEC 61162-1/2) standard and can be configured in the software for different baud rates, up to 38.400 baud. Sentences output by the autopilot computer are fixed for the different outputs.

Refer “Device list” on page 42 and “Supported data” on page 71

Autopilot computers

Grounding

The autopilot system has excellent radio frequency interference protection and all units use the autopilot computers as a common ground/shield connection. The units must therefore have a proper ground connection to the hull.



Termination, general

Power and signal cables connect with screw terminals or terminal blocks on the board inside the computer unit. Refer connection details on the following pages.

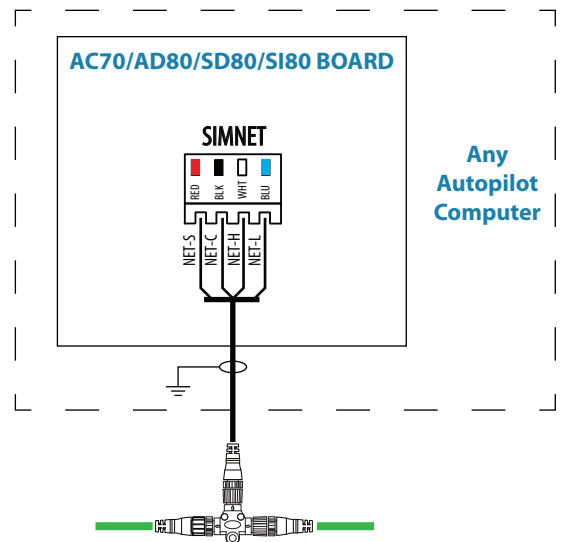
1. Insert the cable through an appropriate cable gland or slot
2. Strip off the cable insulation. Provide sufficient wire length so that the plug-in terminals can be easily connected and disconnected
3. Pull out each terminal blocks from the board before connecting the wires
4. Terminate the wires to the terminal blocks according to the terminal specification in the following pages
5. Connect the terminal blocks to the board
6. Crimp a Faston terminal to the screen and connect to the grounding plug-in terminal on the board, or on the grounding list
7. Secure the cables by using cable ties

Connecting the computers to the CAN bus

AC70, SD80, AD80 and SI80 autopilot computers connect anywhere on the CAN bus backbone by using drop cables connected to a female connector on the Micro-C T-joiner.

AC80S, AC80A and AC85 autopilot computers includes a terminator, and should be connected at the end of the CAN bus backbone. The drop cable is connected to the male connector on the Micro-C T-joiner, and to the SimNet terminal on the computer board.

The drop cable is supplied with the autopilot computer.

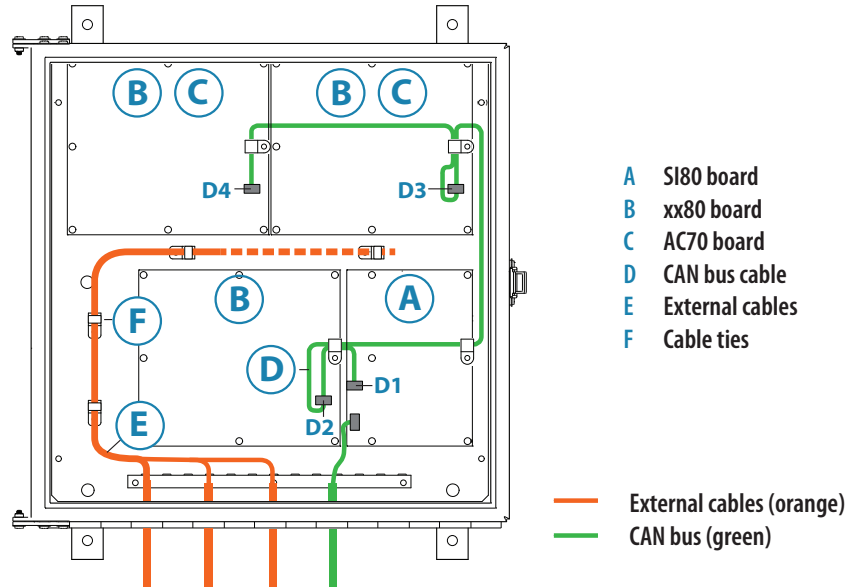


Mounting and Interconnecting the boards in the AC85 Computer

The AC85 computer is delivered with one SI80 board. The SI80 board is not mounted from factory. Optional boards are ordered separately.

The boards should be located as shown in the illustration, and secured to the computer base with the supplied screws and washers.

A detailed mounting description is included with the AC85 computer. The document can also be downloaded from our website.



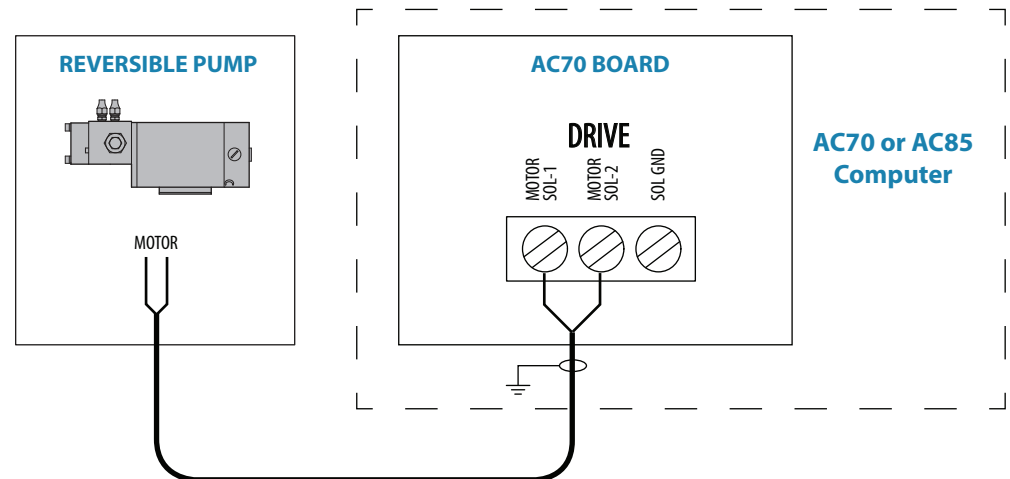
Drive units

Connecting diagrams for the different drive units are found on the following pages.

Installation instructions for the drive units are found in the manuals for the individual units.

Reversible pump

Connects to: AC70 board (in AC70 or AC85 Computer).

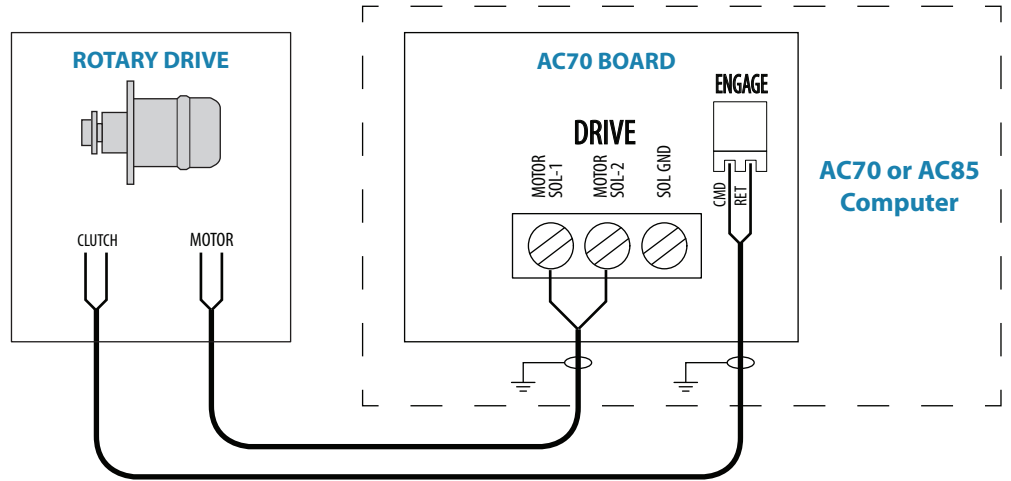


Rotary drive

Connects to: AC70 board (in AC70 or AC85 Computer).

Rotary drive (reversible motor with clutch) is normally used for mechanical connection to Voith Schneider drive system or helm unit on sailing vessels.

The rotary drive need connection to the Engage terminal for clutch operation.



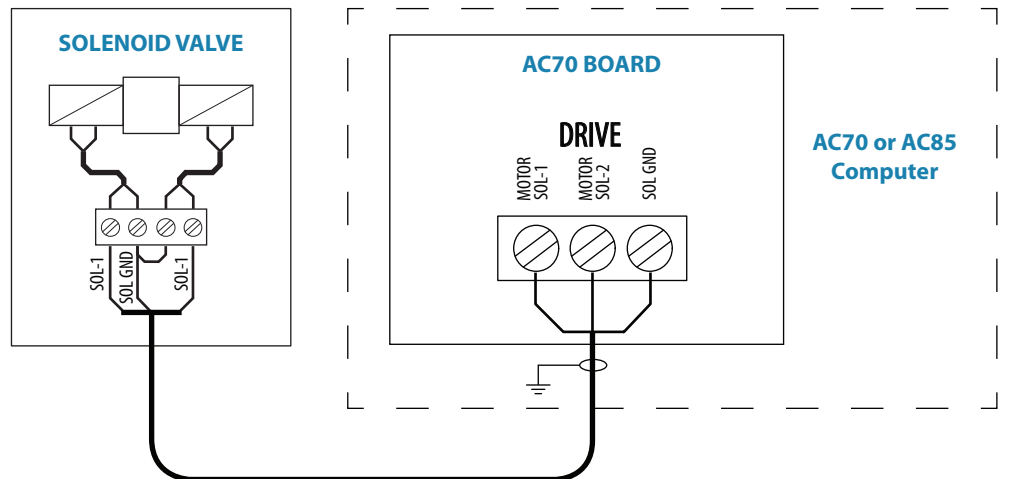
Solenoid valves, 12 V or 24 V DC

The following figures describe operation of 12 V or 24 V solenoids.

For solenoids with higher voltage (110/220 V AC or DC), use external relays/solid state relays.

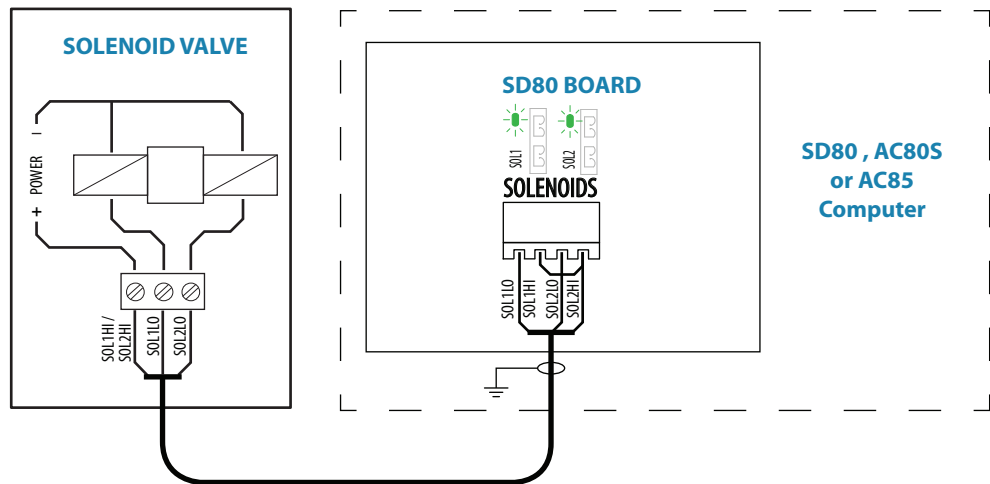
Internally powered Solenoids

Connects to: AC70 board (in AC70 or AC85 Computer).



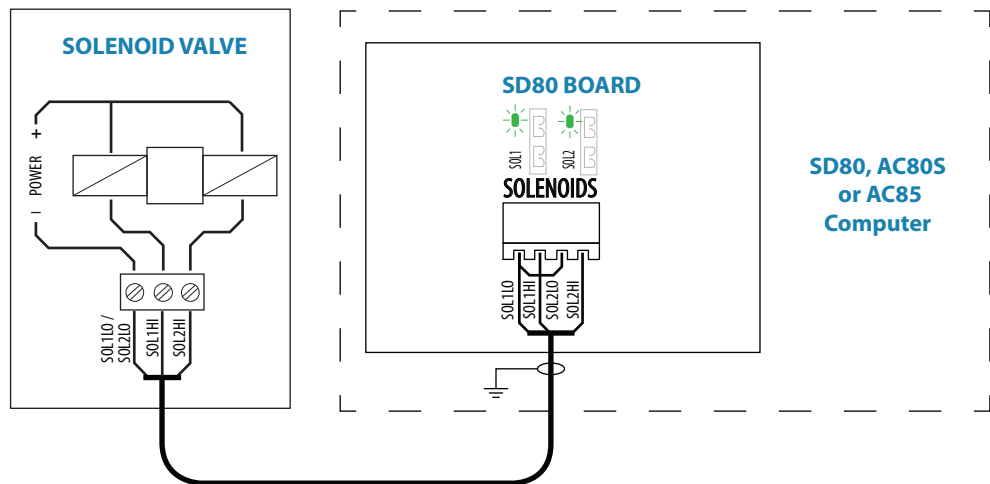
Externally powered solenoids, common negative

Connects to: SD80 board (in SD80, AC80S or AC85 Computer).



Externally powered solenoids, common positive

Connects to: SD80 board (in SD80, AC80S or AC85 Computer).

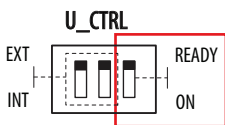


Analog steering gear

Connects to: AC80 board (in AD80, AC80A or AC85 Computer).

The AD80 board provides analog control of rudder(s) and thrusters in an AP70 MK2 system by either continuous voltage or current signal.

The **UI_CTRL** DIP switch is used to voltage control line.

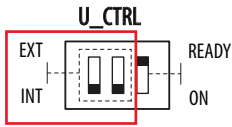


- Set to **READY**, the voltage control line will be broken by a solid state relay contact when the autopilot is not ready for steering (Power off and serious error situations)
- Set to **ON** the line will always be connected

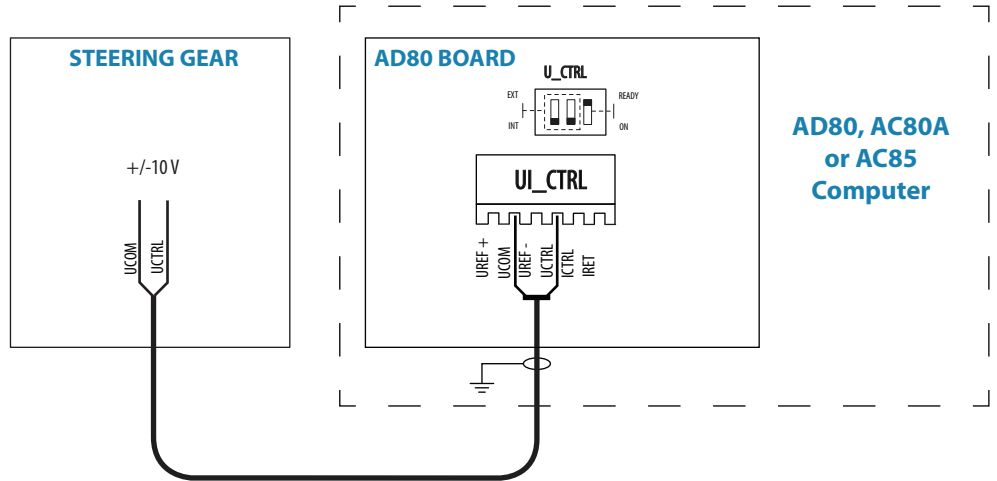
Additional switch settings for the alternative steering gear control alternatives are included in the next sections.

Internal voltage

A nominal 0 ± 10 V DC control signal is available for control. This voltage is galvanic isolated from the operating voltage for the autopilot. Rudder zero voltage and control range can be adjusted in the Dockside Drive setup. See “Rudder feedback/thruster feedback calibration” on page 51.

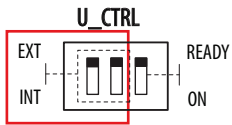


For Analog output, internal voltage, the switch must be set to **INT**.

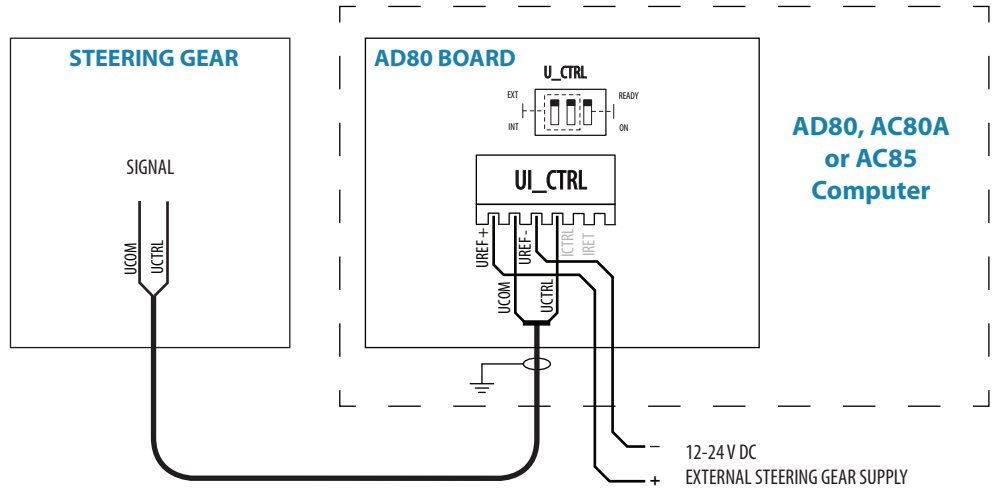


Voltage control with external reference, +/- variable

Available control range will be +/- V signal, appr. 45% of external reference voltage. Zero setting and control range output at **U_CTRL** can be adjusted in dockside setup.



For Analog output, external voltage, the switch must be set to **EXT**.



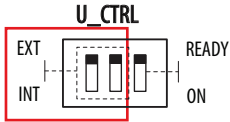
Voltage control with external reference, positive variable

Normally used to control proportional valves with 12 V and 24 V power.

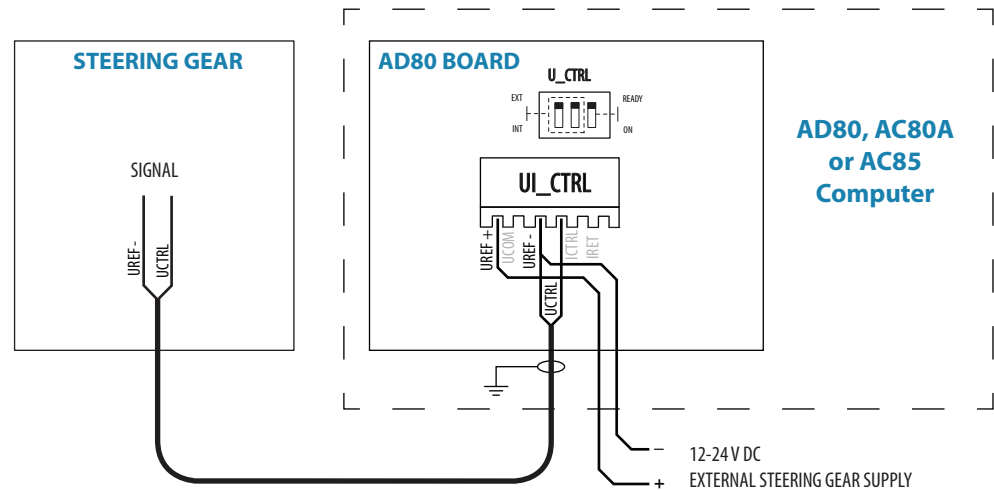
Available control range will be from 5-95% of external voltage. Control signal will be positive variable relative the external reference voltage minus.

Zero output = External power/2.

Zero setting and control range output at **U_CTRL** can be adjusted in dockside setup. See "Rudder feedback/thruster feedback calibration" on page 51.



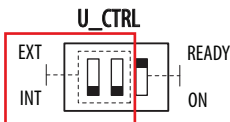
For Analog output, external voltage, the switch must be set to **EXT**.



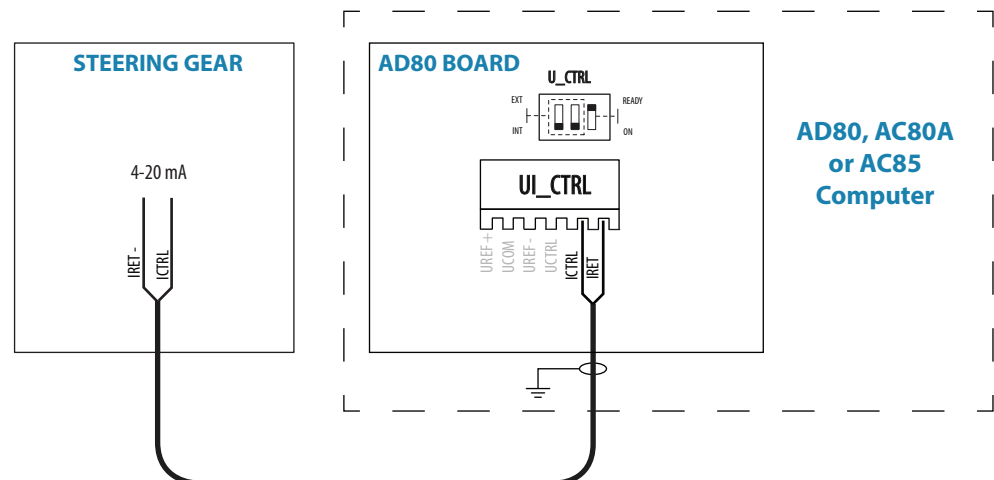
Analog output, current

A 4-20 mA control signal is available. Rudder zero current and control range can be adjusted in the Dockside setup (ref. page 55).

Rudder zero current and control range can be adjusted in dockside setup. See "Rudder feedback/thruster feedback calibration" on page 51.



For Analog output, current, the switch must be set to **INT**.



Rudder feedback

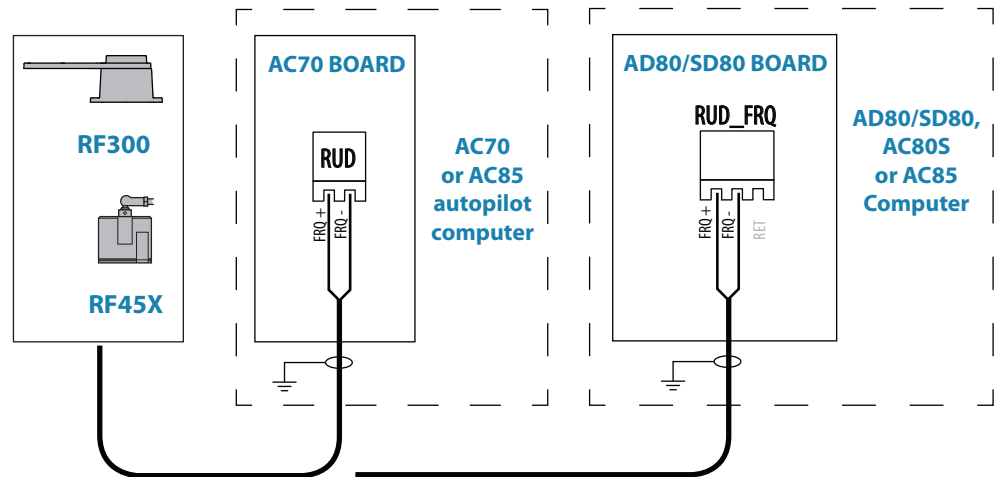
RF300, RF45X

Connects to: AC70 board (in AC70 or AC85 Computer), SD80 board (in SD80, AC80S or AC85 Computer) or AD80 board (in AD80, AC80S or AC85 Computer).

RF300 = White and Brown wires

RF45X = Red and Blue wires

→ **Note:** Polarity independent.



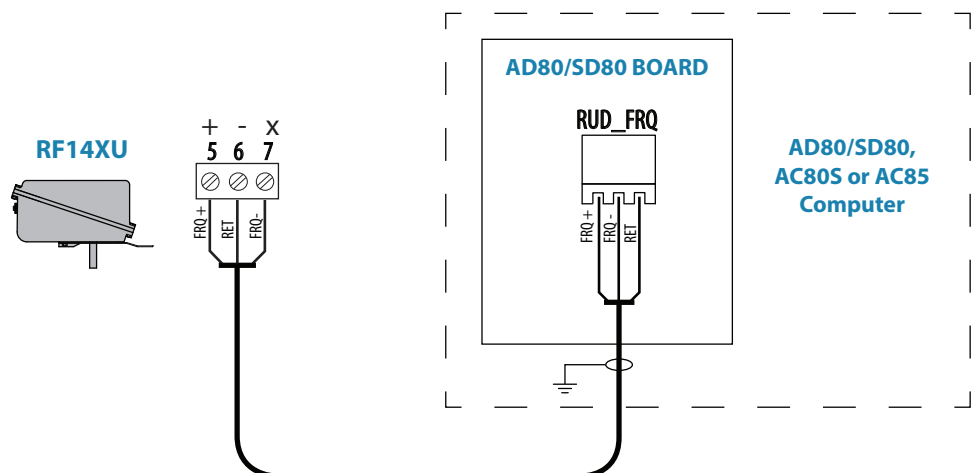
RF14XU

Connects to: SD80 board (in SD80, AC80S or AC85 Computer) or AD80 board (in AD80, AC80S or AC85 Computer).

The cables are carried through cable glands. If required, to avoid any mechanical damage, the cables should be run in a conduit between the rudder feedback unit and the autopilot computer.

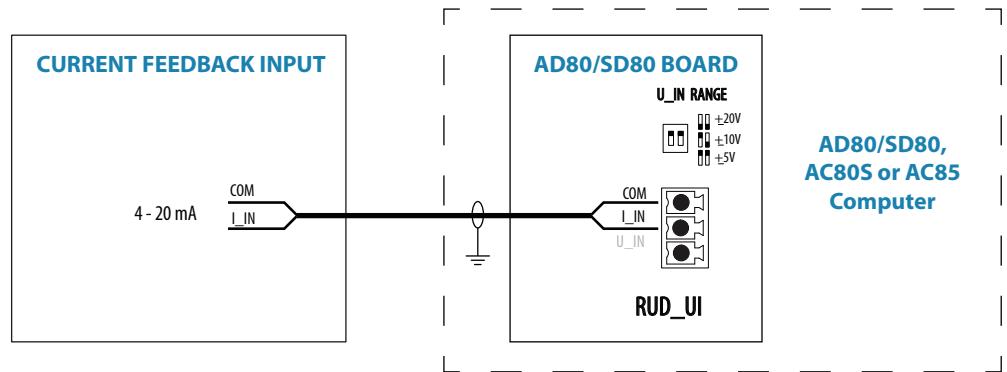
The cable screen must be connected to the internal ground terminal.

The feedback unit has an external ground terminal and must have a proper ground connection to the hull. The grounding wire should be as short as possible and at least 10 mm wide.



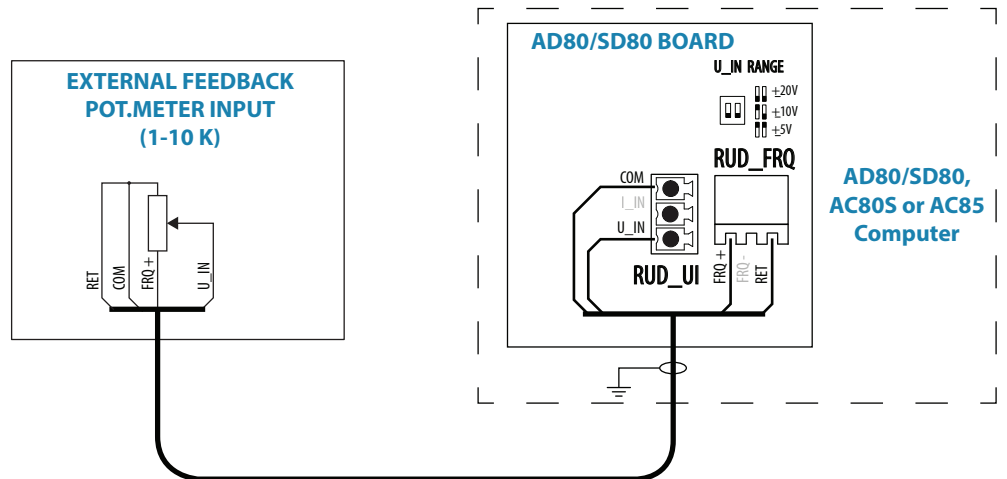
Current feedback input

Connects to: SD80 board (in SD80, AC80S or AC85 Computer) or AD80 board (in AD80, AC80S or AC85 Computer).

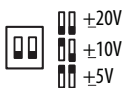


External feedback pot.meter/external FU wheel input

Connects to: SD80 board (in SD80, AC80S or AC85 Computer) or AD80 board (in AD80, AC80S or AC85 Computer).



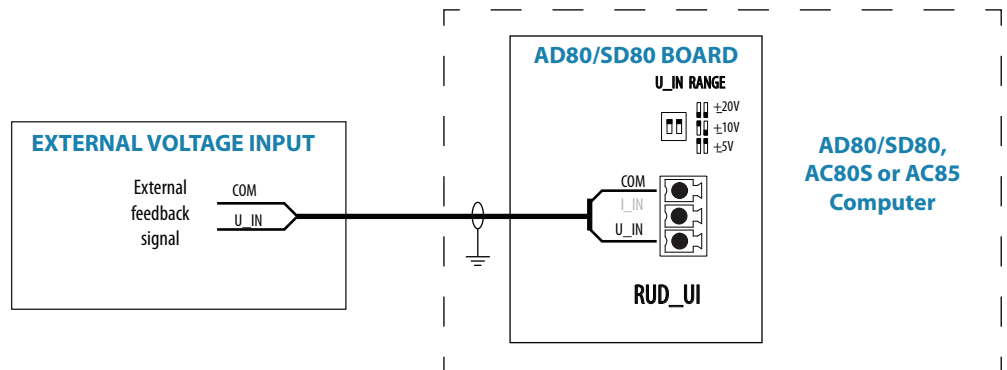
U_IN RANGE



The DIP switch must be set to +/- 20 V.

External voltage feedback input

Connects to: SD80 board (in SD80, AC80S or AC85 Computer) or AD80 board (in AD80, AC80S or AC85 Computer).



U_IN RANGE



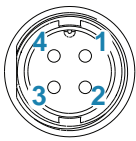
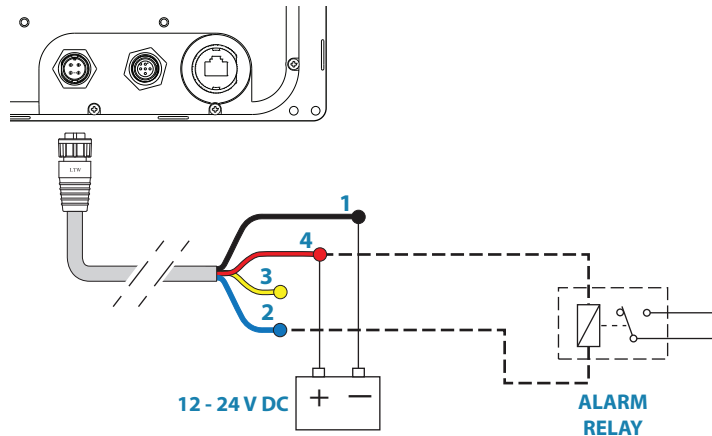
The DIP switch must be set to match range for analog voltage input signal.

Alarm interface

External alarm

An external alarm can be connected to the autopilot control head. The alarm signal have an open contact for an alarm buzzer or an external alarm relay as illustrated below. The alarm voltage is the same as the main supply voltage. The maximum load on the external alarm output is 0.75 Amp.

Alarms are configured globally in the system, i.e. they can be configured on one unit and seen, heard and acknowledged from all control units.



Pin	Color	Description
1	Black	Battery (-)
2	Blue	Alarm/Active
3	Yellow	External command
4	Red	Battery (+), 12 - 24 V DC

External alarm setup

The siren must be enabled in order for the unit to drive the external alarm when an alarm condition arises.

Refer the alarm description in the separate AP70 MK2 Operator manual.

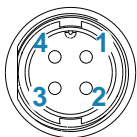
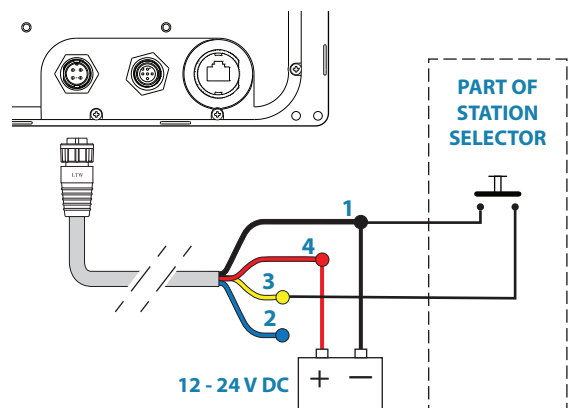
External Take command

An external take command signal can be used to take command on a control unit.

The function is identical to a short press on the Command key on AP70 MK2 control unit.

In an open system (no command transfer restrictions) you will get immediate control from the control unit requesting command.

In a multi-station system with active lock function, the command request must be confirmed on the active control unit.



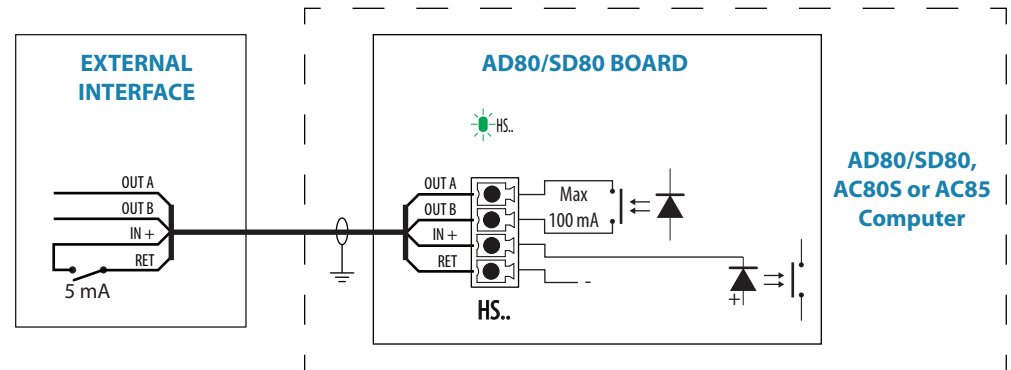
Pin	Color	Description
1	Black	Battery (-)
2	Blue	Alarm/Active
3	Yellow	External command
4	Red	Battery (+), 12 - 24 V DC

External I/O

Handshake

Connects to: SD80 board (in SD80, AC80S or AC85 Computer) or AD80 board (in AD80, AC80S or AC85 Computer).

The SD80 and AD80 boards have two identical galvanic isolated handshake digital I/O ports that can be software configured for various applications like interface to steering gear control, handsteering override, watch alarm, direct i/o type central alarm panel, pulse log input and pendulum ferry function.



The LED is green when handshake output is on.

→ **Note:** The Handshake must be defined as described in “Dockside - Drive system” on page 47.

Central alarm panel with direct I/O interface

Connects to: AP70 MK2 Control unit, and AD80 board or SD80 board.

The interfacing described below applies for central alarm panels that use direct lines for alarm, mute and acknowledge. For alarm panel using serial interface, refer to “IEC61162-1/2 (NMEA 0183) devices” on page 26.

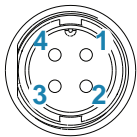
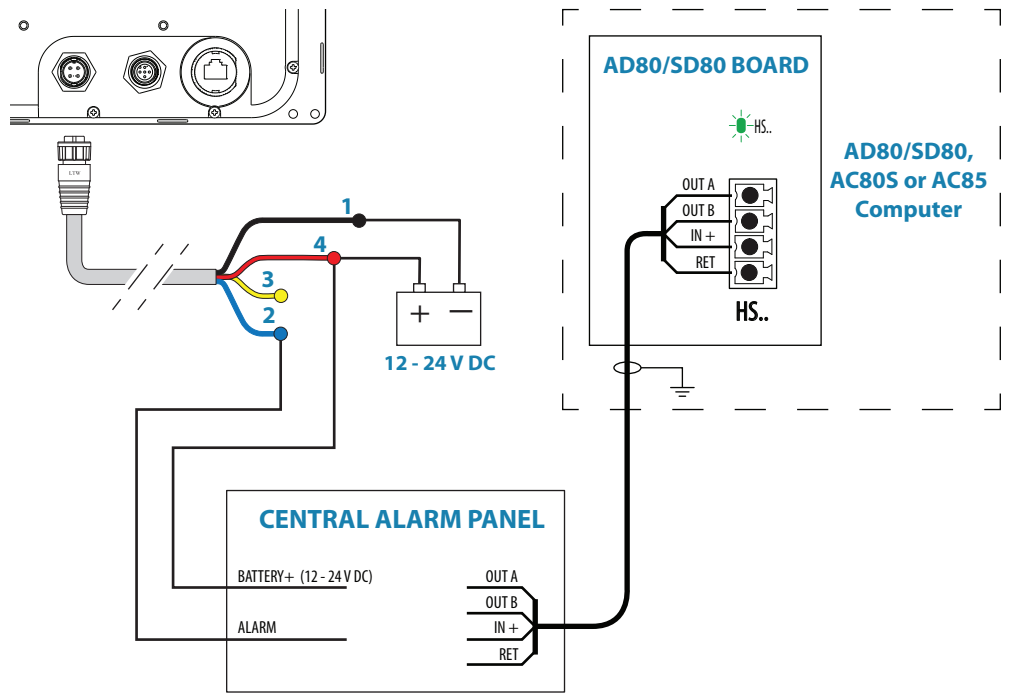
The autopilot system will have two cable connections to a Central Alarm panel;

- one from the autopilot control unit
- one from the autopilot computer

From the autopilot control unit we are using the same two wires (red and blue) as for external alarm relay connection.

Under normal operation you will see 12/24 V between these two wires. In an alarm situation, or when power is lost, you will see no voltage.

From the autopilot computer we are using the handshake connection on the SD80 or AD80 board for alarm, mute and acknowledge.



Pin	Color	Description
1	Black	Battery (-)
2	Blue	Alarm/Active
3	Yellow	External command
4	Red	Battery (+), 12 - 24 V DC

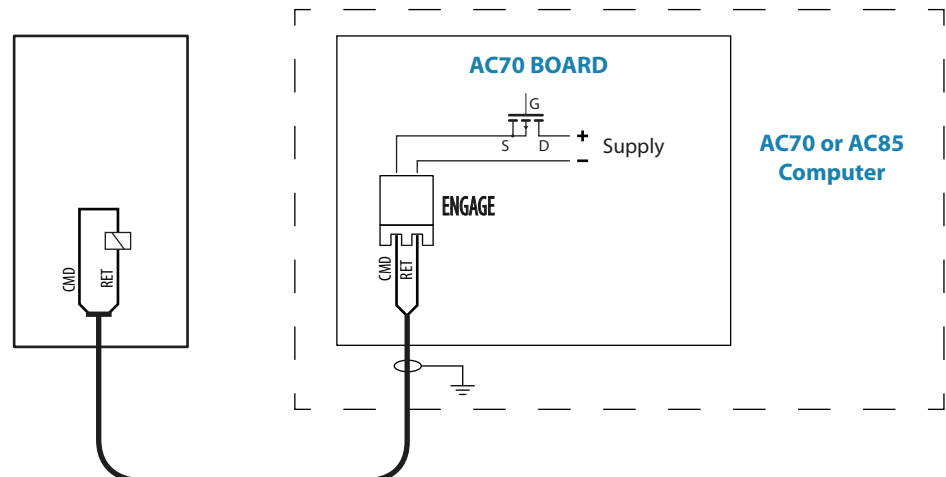
Engage signal

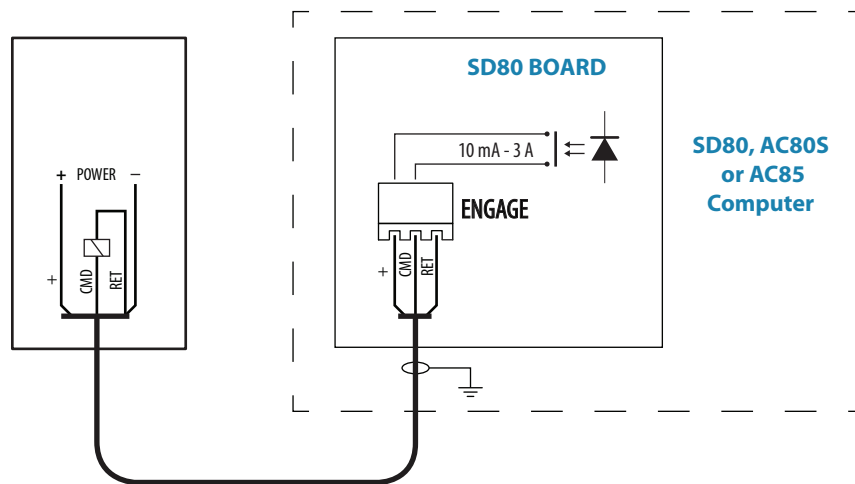
Connects to: AC70 board (in AC70 or AC85 Computer) or SD80 board (in SD80, AC80S or AC85 Computer).

Engage is primarily for operating bypass or dual speed valve, clutch etc for hydraulic or mechanical drive units. The output can be software configured for activating in all steering modes except STANDBY or in AUTO modes only.

For AC70 the drive voltage is internally supplied and the voltage level follows the nominal drive voltage set in software configuration of the AC70 drive.

For SD80 the drive voltage is galvanic isolated and has to be externally supplied. The output can also be software configured for proportional valve control.

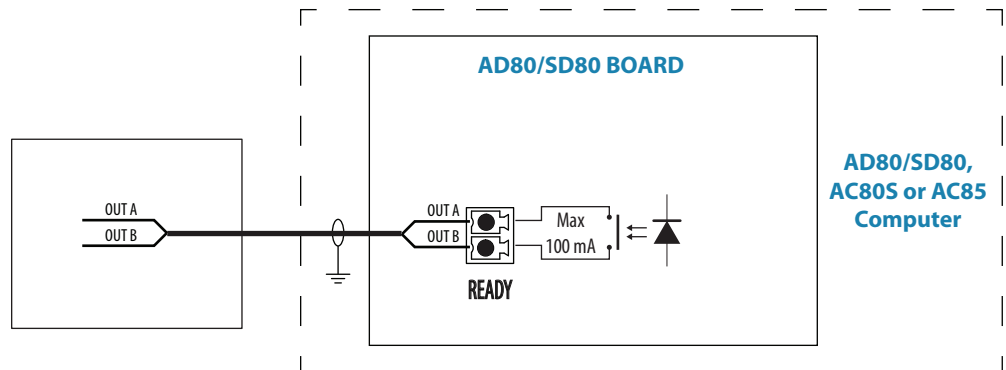




Ready signal

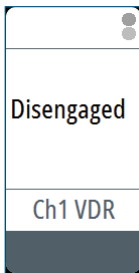
Connects to: SD80 board (in SD80, AC80S or AC85 Computer) or AD80 board (in AD80, AC80A or AC85 Computer).

The Ready signal is given when the autopilot system is operative for taking control. In case of serious software or hardware failure and when the system is turned off, the signal line will open. Some steering gears will use the signal to block rudder/thruster command in case of a serious autopilot failure.



External system selection

Connects to: SD80 board (in SD80, AC80S or AC85 Computer) or AD80 board (in AD80, AC80A or AC85 Computer).

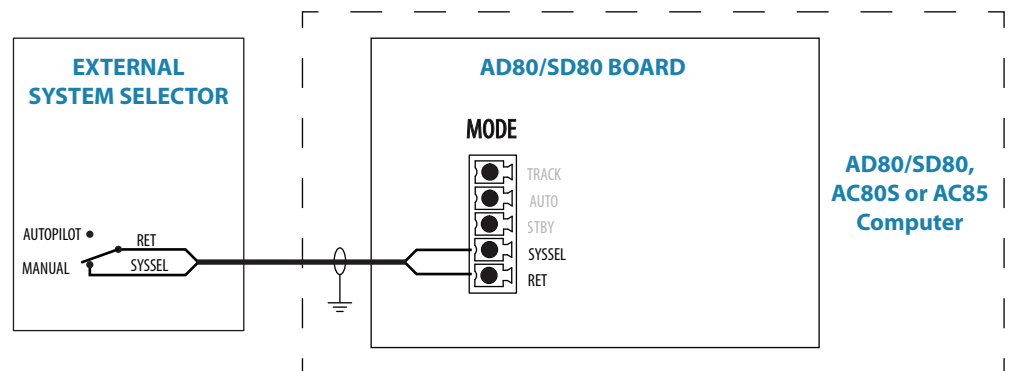


The system select (Sys sel) input signal can be used to alternate between the vessel's own manual steering system and the autopilot system from an external system selector. Refer to IMO resolution MSC 64, sec. 4.

A closing contact between the **SYSSEL** and **RET** terminals will disengage the autopilot from the vessel's steering system. The disengaged status will be shown on the autopilot display.

When the contact is re-opened, the autopilot will go to Auto mode with current compass heading as set heading.

→ **Note:** The autopilot will always return to Auto mode, even if it was in NoDrift or Nav mode.



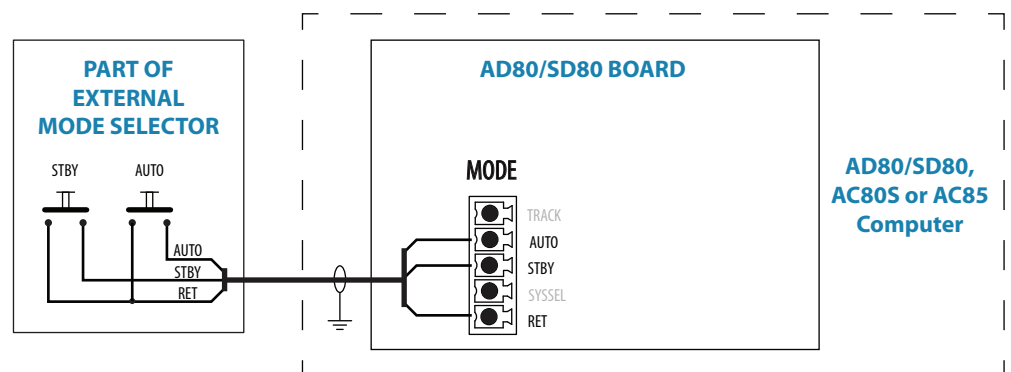
External mode selection - pulse

Connects to: SD80 board (in SD80 or AC85 Computer) or AD80 board (in AD80A or AC85 Computer).

External mode selection can be arranged with push buttons as shown in the figure below.

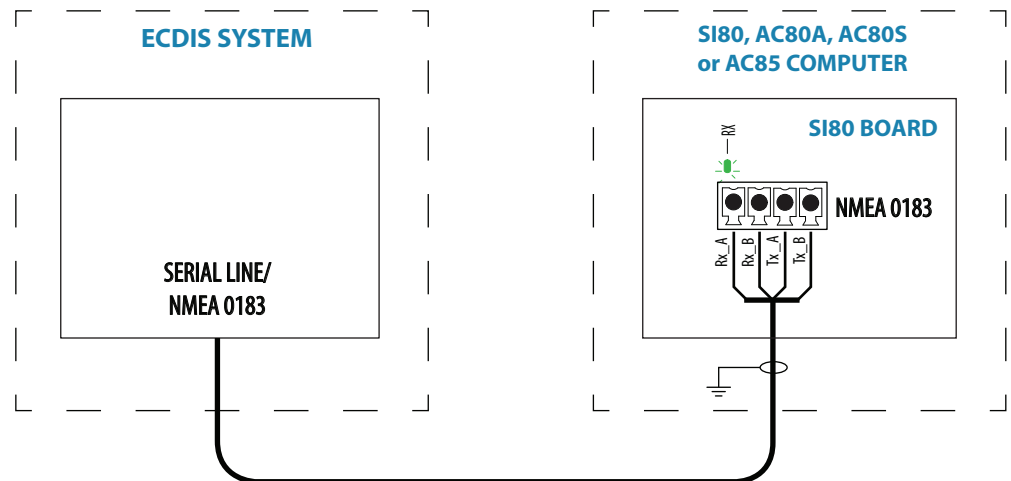
The two push buttons will have similar function as the Standby and Auto keys on the AP70 MK2 control unit.

→ **Note:** If the system has more than one board, SD and/or AD, the external mode selectors should only be connected to one of the boards.



ECDIS system

Connect the NMEA 0183 serial line from the ECDIS to Ch. 3 NMEA terminal on the SI80 board.



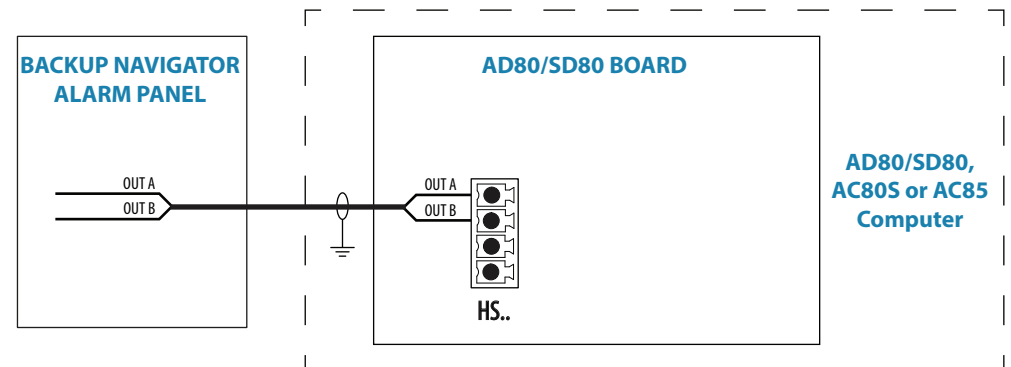
The green LED at the NMEA terminal lights up when serial data is received.

Backup navigator alarm

A backup navigator alarm is available when the AP70 MK2 is connected to an ECDIS in a Track system.

If an alarm is not acknowledged within the specified timeframe e.g. “wheelover”, “end of route” or “track control stopped”, a backup navigator alarm can be activated to notify bridge officer off duty.

To enable this feature, the autopilot system provides a configurable handshake port on SD80 or AD80 that can be connected to an external alarm panel or loudspeaker.



4

System configuration

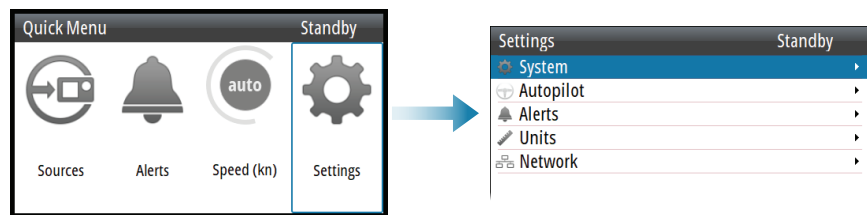
General

When the autopilot installation is completed, the system must be configured and the commissioning procedures performed. Failure in setting up the autopilot correctly may prevent the autopilot from functioning properly.

For alert settings and alert handling, refer to the Operator manual.

Settings dialog and submenus

The system configuration settings are logically grouped in the Settings dialog, and each group is presented with an icon. This dialog is accessed by pressing the Settings icon available in all mode specific menus, or by double-clicking the Menu key.



Turning on for the first time

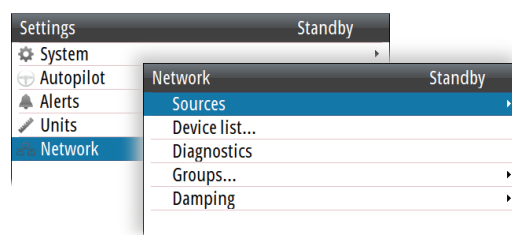
Before attempting to turn on the autopilot and perform an Installation set-up, the hardware installation and electrical installation must be completed and performed in accordance with the installation instructions.

The first time the autopilot system is started up and after a factory reset, you will be guided through a set of initial settings. On additional control heads, acknowledge language selection and cancel all other setup requests.

If the settings are not completed, you can configure the autopilot system manually as described in the following sections.

Network settings

Setup and selection of sources are done from the Network menu.



Selecting data sources

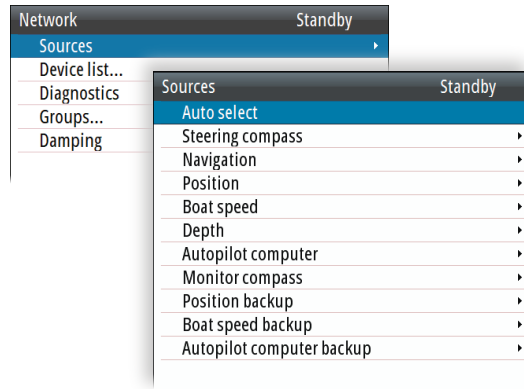
A data source can be a sensor or a device connected to the network, providing data to other devices.

Source selection is required on initial start-up of the system, if any part of the CAN bus network has been changed or replaced, or if an alternative source is made available for a given data type and this source has not been selected automatically.

At the first turn-on of a group of network devices, data sources are automatically selected from an internal priority list. If a data source is connected to the network after the first turn-on, this will be identified and automatically selected if no other data source is selected for the given data type.

You can let the system select your sources automatically, or you can set up each source manually as described below.

Auto select



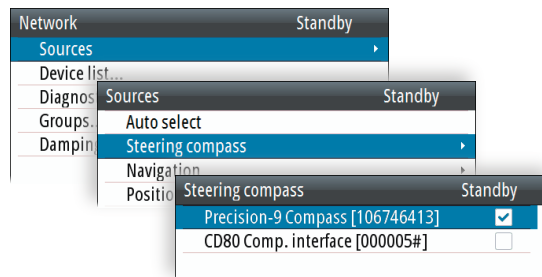
The Auto Select option will look for all sources connected to the network. If more than one source is available for each data type, the system will automatically select from an internal priority list.

The Auto Select function is mainly for situations where the automatic source selection needs to be updated because a selected data source is not supplying data or has been physically replaced with another one. The update secures that the existing source selections are valid and maintained. Missing sources are either automatically exchanged with an alternative source from the list of available sources for the given data type, or the replacing source is selected.

Manual source selection

You can manually select the preferred source. This is useful if you have more than one of the same type of device on the network.

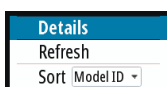
Available sources are listed as shown in the example below. You select the active source by ticking the preferred unit.



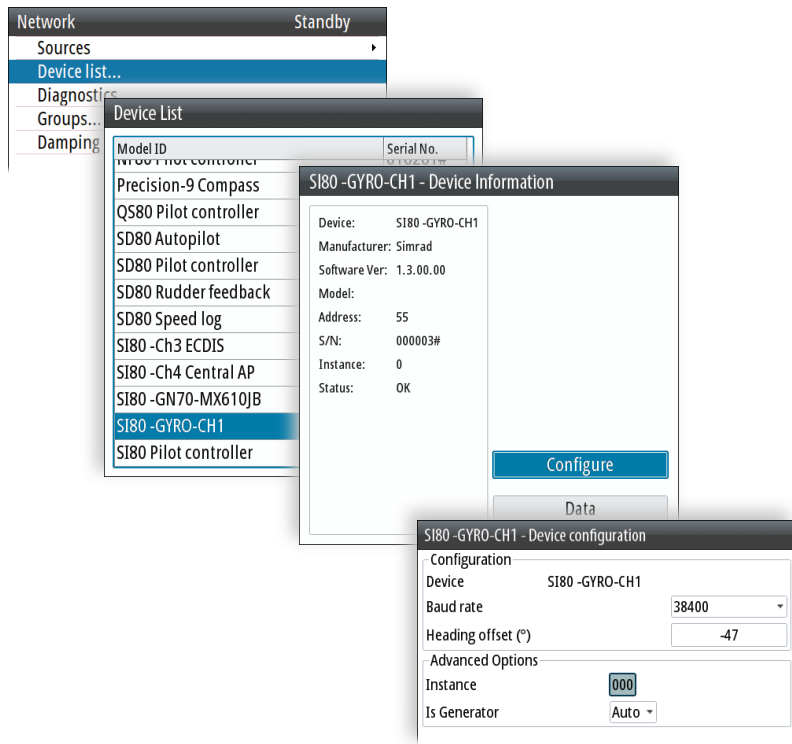
Device list

From the device list you can:

- list all of the active devices on the network, showing model description and serial number. Devices can be sorted by model ID or by serial number
- display information relating to a device such as: name, manufacturer, software version, instance, status
- give the device a logical name relevant to the user
- see data coming from the device
- get access to configuration page for the device



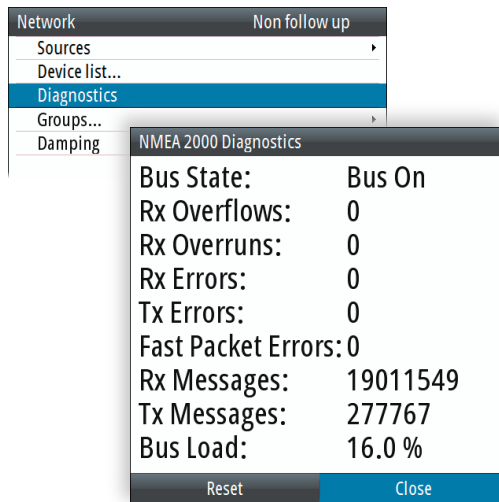
- Press the Menu key to sort the device list
- Press the Menu key, the Starboard key or the rotary knob to see selected device details.



→ **Note:** The graphics show gyro input on an SI80 board. Device details and options depend on data type.

Diagnostics

The diagnostic page shows details for the NMEA 2000/CAN bus network.

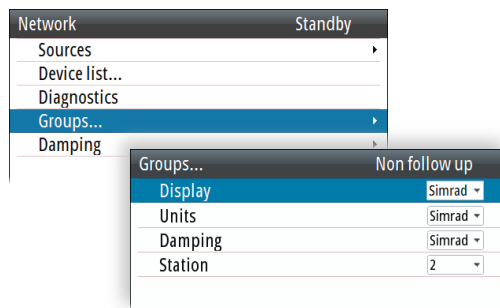


Option	Description
Bus State	Indicates if network backbone is operating. Check power: Check termination.
Rx Overflows	Value greater than 0 could indicate the software is very busy and unable to keep up with incoming messages.
Rx Overruns	
Rx Errors	CAN interface error counters. Count up when there are errors on the CAN bus, and down when things are ok. Should normally be 0. Goes bus off when 255 is reached. Check same things as for Bus state if greater than 0 is observed.
Tx Errors	

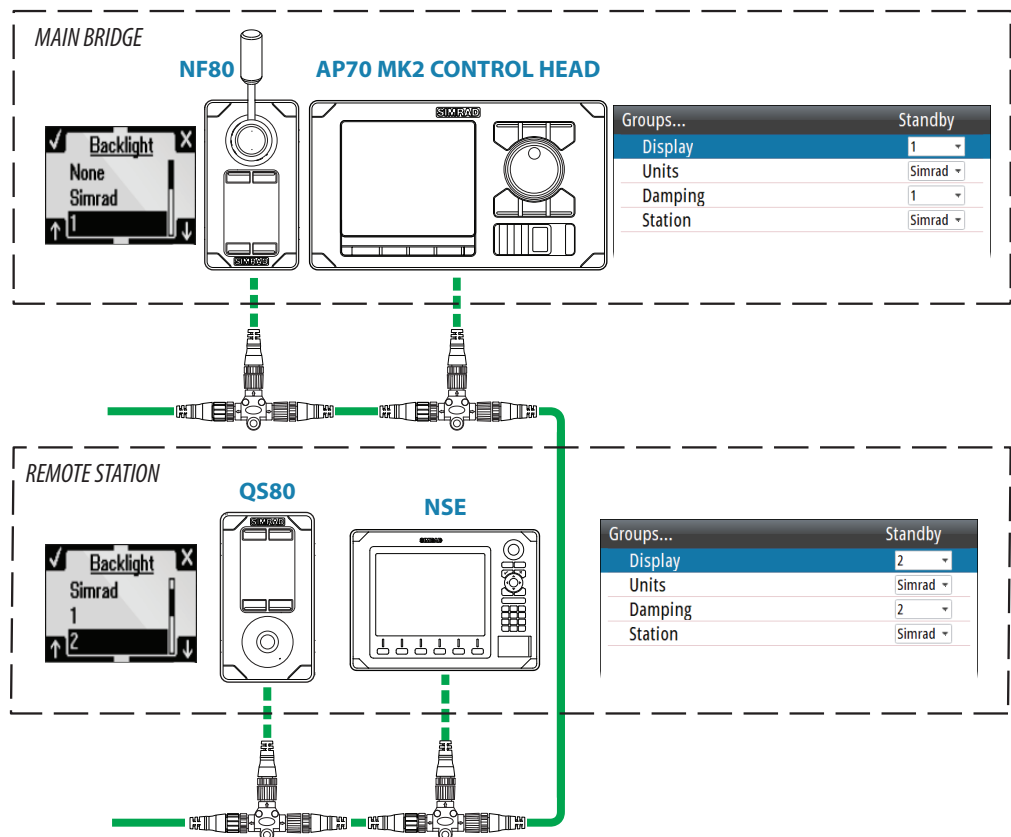
Option	Description
Fast packet Errors:	Detected errors since power up. Check the network if this is continually increasing.
Rx Messages	A count since power up of messages received / transmitted.
Tx Messages	
Bus Load	Real time bus load in percentage of max. capacity.

Network groups

The network group function is used to control parameter settings, either globally or in groups of units. The function is used on larger vessels where several units are connected via the network. By assigning several units to the same group, a parameter update on one unit will have the same effect on the rest of the group members.



The illustration below shows a two station installation. Units in the Remote Station have their backlight and damping settings in different network groups from the units on the Main Bridge. If the backlight is adjusted in a display on the Main Bridge, it will change in all displays on the Main Bridge. It will not change the light settings in the Remote Station. If the damping is adjusted on the AP70 MK2 control unit, this will not affect damping on the NSE unit in the remote station.



Master systems

The international standard for heading control systems (ISO 11674/ISO 16329) requires controlled command transfer when remote stations are provided. The delegation of control to the remote station and the return of control shall be incorporated in the autopilot system, and shall avoid unintended operation from a remote station.

To fulfil this requirement the AP70 MK2 system includes a Master function. This is used in larger Wheelmarked systems where you permanently want to control command transfer to remote stations.

In a Master system, one steering station is defined as the Master station. There can be several control units in a master station, but only one of them can be set as the Master unit.

All units included in the master station will be unlocked, and command transfer within the master group will be as in an open system.

Units not included in the master station will be locked. It is not possible to take command from units outside the master station unless the master control unit opens for this. All units outside the master station will have a lock symbol.

In the illustration below the main bridge is defined as master station. One QS80 and two AP70 MK2 control units are included in the master station. One of the AP70 MK2 control units is defined as the Master unit.

The illustration includes network group settings for each unit, showing how the units are defined as part of different network group stations.



MAIN BRIDGE

Advanced	Standby
Simulate	<input type="checkbox"/>
Supply voltage	5.0 V
Bus voltage	5.0 V
Internal temp	5.0 °C
Master	<input checked="" type="checkbox"/>
Autopilot logging	<input type="checkbox"/>

Groups...	Standby
Display	Simrad ▾
Units	Simrad ▾
Damping	Simrad ▾
Station	Master ▾

AFT STATION

Groups...	Standby
Display	Simrad ▾
Units	Simrad ▾
Damping	Simrad ▾
Station	1 ▾

WING STATION

Station

Master

Simrad

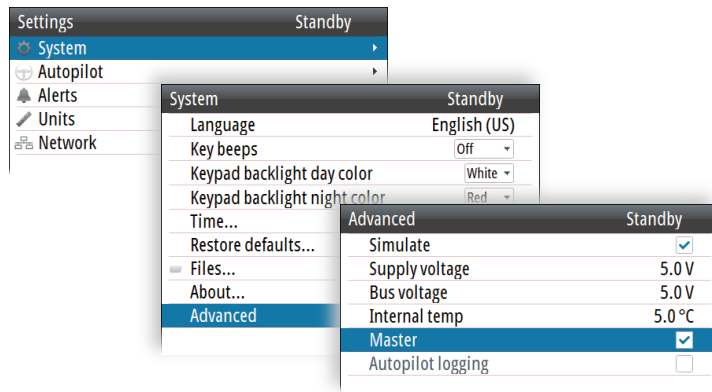
1

Defining a Master system

A master station is usually defined and units assigned to the master station during system setup.

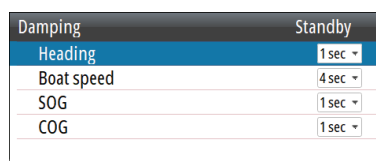
Groups...	Standby
Display	Simrad ▾
Units	Simrad ▾
Damping	Simrad ▾
Station	Master ▾

→ **Note:** When a network group Station is set to Master, one control unit in this steering station has to be defined as the Master unit as shown below.



Damping

Controls how quickly the display updates values from sensors.



Increasing the damping applies more averaging or smoothing of the data update rate on the display.

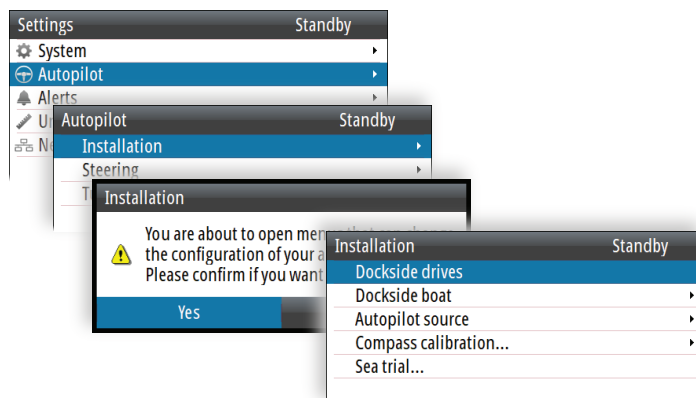
Damping settings are applied to units belonging to particular damping network groups.

→ **Note:** If the damping factor for heading is high, the captured heading might differ from the heading read on the display when using the heading capture function.

Installation settings

The installation setup includes dockside and sea trial configuration of drives, together with compass calibration.

When the autopilot is delivered from factory AND ANY TIME AFTER AN AUTOPILOT RESET HAS BEEN PERFORMED, all installation settings are reset to factory preset (default) values. A notification will be displayed, and a complete setup has to be made.



→ **Note:** The Installation settings can only be accessed in Standby mode.

Warning: The installation settings must be performed as part of the commissioning of the autopilot system. Failure to do so correctly may prevent the autopilot from functioning properly!

→ **Note:** The sea trial settings are dependent on successful completion of the dockside settings.

Dockside - Drive system






Installation	Standby
Dockside drives	
Dockside boat	▶
Autopilot source	▶
Compass calibration...	▶
Sea trial...	

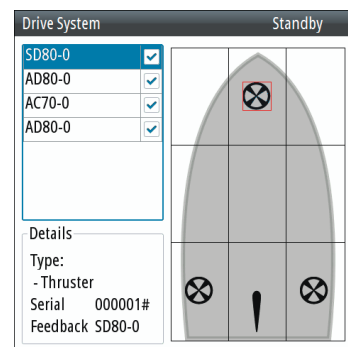
Drive units must be configured and calibrated before they can be used.

The drive system configuration dialog lists all drive units available on the network. The details field includes drive type, serial number and source name.

When the drive configuration is completed this is indicated with a tick after the drive name. The dialog will not illustrate drive type and location before the drive location and type is defined.

The following symbols are used to illustrate drive type:

	Tunnel thruster
	Azimuth
	Voith Schneider
	Rudder
	WaterJet

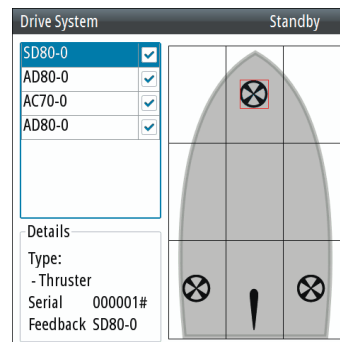


The figure shows a completed commissioning for a vessel.

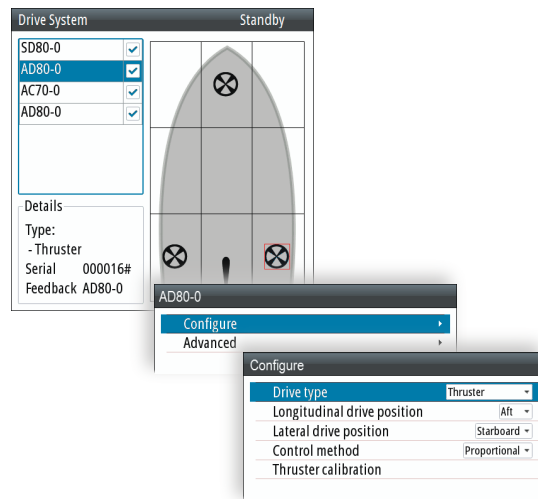
Configuring the drive system

The drive system configuration is accessed from the drive system configuration dialog.

1. Select the drive to be configured, and press the rotary knob or the Starboard (confirm) key to proceed to the device information dialog



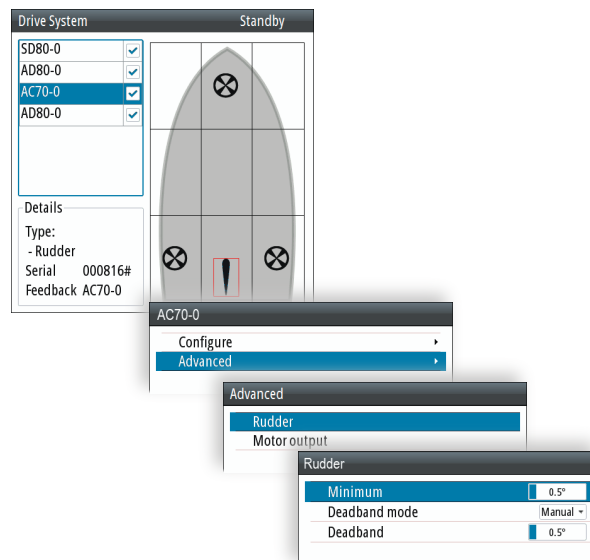
2. Select the Configure option to proceed to device configuration dialog. The dialog differs slightly for the different drive types



3. Select relevant settings for the selected drive, and save your settings

→ **Note:** There is no configuration when using an SG05 PRO. No Rudder- or Feedback calibration is required.

Advanced rudder settings



Minimum rudder

Some boats may have a tendency of not responding to small rudder commands around the course keeping position because of a small rudder, a rudder deadband, whirls/disturbance of the water-stream passing the rudder or it is a single nozzle water jet boat.

By manually adjusting the minimum rudder function, the course keeping performance might be improved on some boats. This will however increase the rudder activity.

→ **Note:** Only set a value for minimum rudder if it proves to give a better course keeping performance in calm sea. It should be set after the autotune has been performed and a fine tuning of the rudder parameter.

Deadband mode

Auto or Manual (default: Auto).

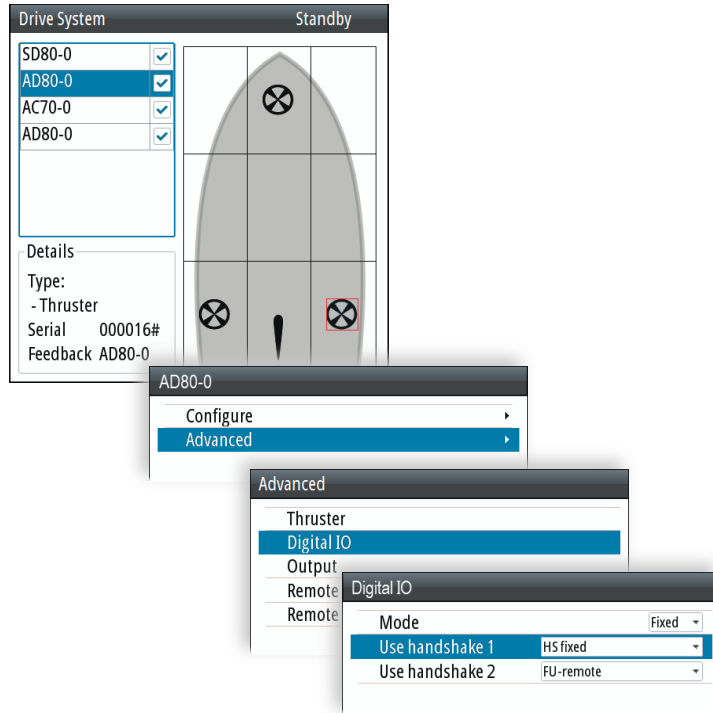
- **Auto:** The rudder deadband is adaptive and is continuously operative. It will also optimize the deadband to the speed of the vessel and the pressure on the rudder.
- **Manual:** If the Auto setting doesn't perform properly due to extreme rudder speed and/or overshoot, it can be adjusted manually.

Find the lowest possible value that will prevent the rudder from continuous hunting. A wide deadband will cause inaccurate steering. It is recommended to check rudder stability in AUTO mode at cruising speed to get pressure on the rudder. (Slight hunting observed dockside may disappear at cruising speed.)

Rudder deadband

Prevents the rudder from hunting caused by high rudder speed and/or overshoot in the steering gear.

Configuring the handshake



Handshake settings

Handshake setting	Function	Description
HS fixed	Autopilot/steering gear interface with fixed level signals	Output contact is closed when autopilot requests steering gear control. Input to be closed for as long as steering gear is available for autopilot control (normally a "ready" signal).
HS pulse	Autopilot/steering gear interface with pulse signals	Output contact is closed for 1 sec when autopilot requests steering gear control. Input to be closed for as long as steering gear is available for autopilot control.
Override Dodge	Manual override with fallback to AUTO	When input contact is closed, the autopilot will give override warning, acknowledge with closed output contact and go to Standby mode. When input opens, output contact will open and the autopilot returns to Auto mode on present heading. Typically used for joystick handsteering with override button on top. → Note: must be limited to one autopilot computer board.

Handshake setting	Function	Description
Override Standby	Manual override to Standby	When input contact is closed, the autopilot will give override warning, acknowledge with closed output contact and lock to Standby mode. When input opens, output contact will open and the autopilot will unlock. This function is normally related to regulations for automatic override when main handsteering is operated. → Note: Must be limited to one autopilot computer board.
FU-remote	External FU/DP control by command transfer	When input contact is closed, a command transfer dialogue is started (refer Command transfer description in the AP70 MK2 Operator Manual). When accepted, the output contact will close and use the installed current or voltage input to the RUD UI plug of SD80/AD80 board for follow-up rudder control. Output will open if control is taken from another unit again.
Alarm panel	Interface to central alarm panel with direct I/O	Refer "Central alarm panel with direct I/O interface" on page 36.
P-log & Auto	Pulse log input, auto mode output	If a pulse log of 200 p/NM to the input, it will show up as a speed source on the CAN network. The output will be a closed contact whenever the autopilot is in Auto, NoDrift or Nav/Track mode. The signal can be used for reducing oil flow to rudder, watch alarm activate etc.
Pendulum & WA		If input signal is closed, steering and monitor compass will be offset by 180°. Output contact will close for 0.5 sec. when active control unit is operated. Can be used for watch alarm systems that require information about operation of equipment.

Pendulum feature

The pendulum feature is intended for pendulum ferries where it is required to turn the heading 180° when the vessel is going «backwards».

The feature can be enabled in AP70 MK2 systems equipped with SD80 or AD80 boards, by connecting an external switch to one of the Handshake inputs. When the contact is closed, the heading from the main compass and the monitor compass will change 180 degrees.

It can be used with the following compass sources:

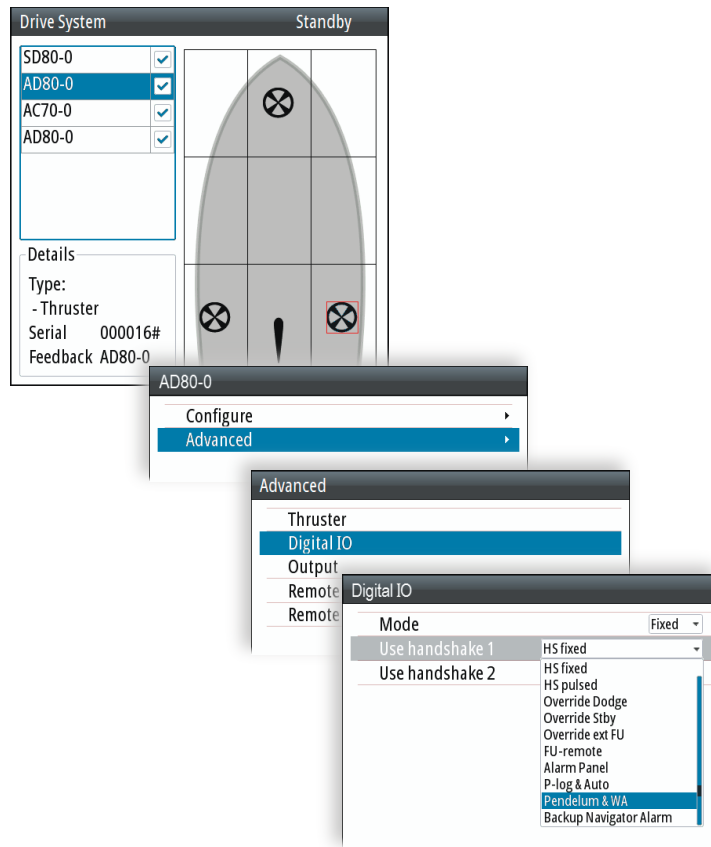
- Precision-9
- RC42
- CDI80
- HS80
- A NMEA 0183 device connected to AC70 or SI80

For NMEA 0183 compasses, this applies an offset to the heading read from the serial interface. For NMEA2000 compasses, this changes the installation offset. All devices on the NMEA 2000 bus will pick up the modified heading.

Configuration

The AP70 MK2 must be configured for the pendulum function as shown below.

Select Pendulum & WA for handshake 1 or 2, depending on physical connection of external switch.

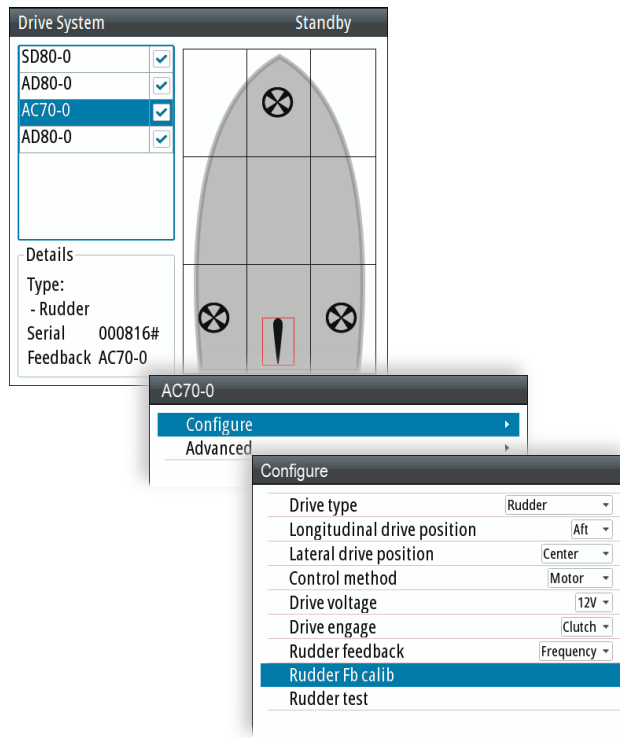


Rudder feedback/thruster feedback calibration

If a rudder or thruster feedback is available, this must be calibrated. This is required for the autopilot to know signal for mid-position, port/starboard side and rudder movement range.

→ **Note:** The graphics below shows the dialog when the rudder is controlled by an AC70. The configuration dialog varies with drive device and drive type.

1. Select feedback calibration option in the device configuration dialog

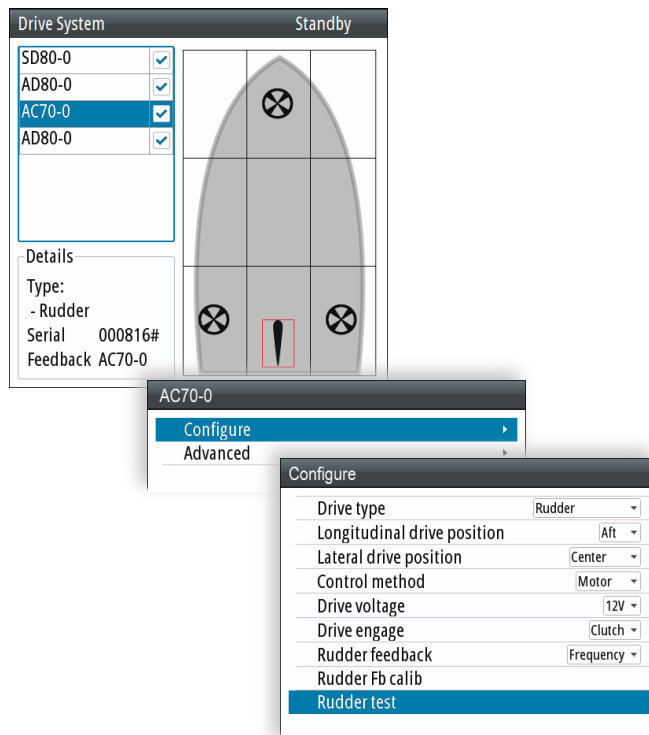


2. Follow the guided steps through the calibration process
3. Save the settings when completed

Drive test/calibration

When the drives are configured and calibrated, the autopilot need to know drive output level for standstill, polarity for port/starboard movement, the speed/signal- level relationship and max. signal levels allowed. This is learned during the drive test or drive calibration.

1. Select the test option in the device configuration dialog

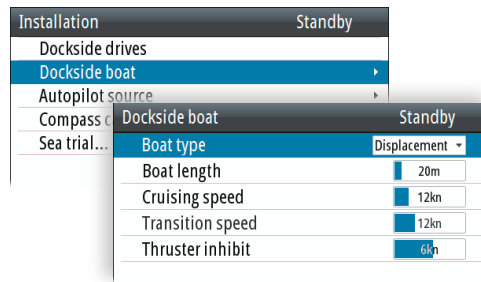


2. Follow the guided steps through the testing process

3. Save the settings when completed

→ **Note:** When a rudder feedback signal is set in the configure view, the feedback must always be calibrated before drive test or drive calibration is allowed.

Vessel configuration



→ **Note:** The unit of measurement in the dialog reflects your unit settings.

Boat type

The boat type setting is used by the system to select appropriate preset steering parameters. It will also affect available autopilot features.

Boat length

The boat length affects the steering parameters.

Cruising speed

The cruising speed is used if no speed info is available, and if manual speed is set to Auto. It is also used by the autopilot system to calculate steering parameters.

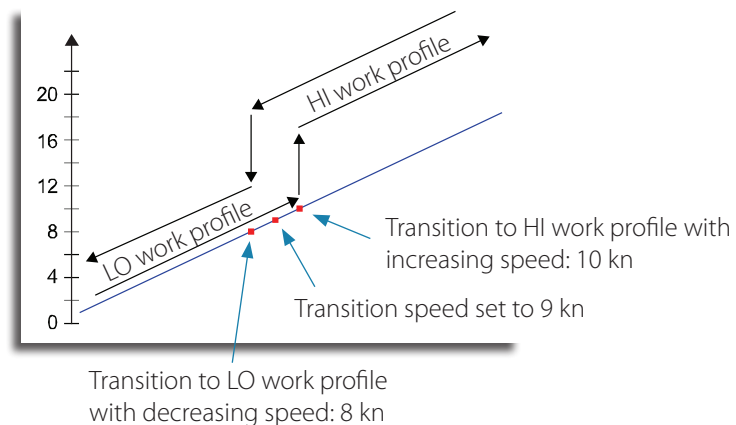
Transition speed

→ **Note:** Only available if the boat type is set to planing.

The transition speed is the speed at which the system automatically changes from LOW to HIGH work profile.

These two work profiles are automatically defined when you set the boat profile to planing. The work profiles are set up with high and low speed parameters to control the different steering characteristics before and after planing.



On power boats it is recommended that you set a value that represents the speed where the hull begins to plane or the speed where you change from slow to cruising speed.



Thruster inhibit speed

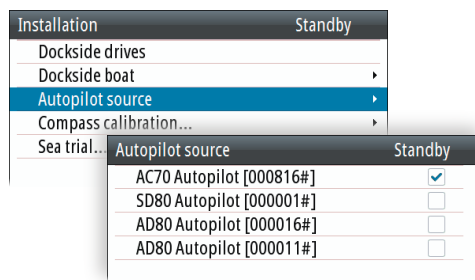
This feature will block the thruster from running above a set vessel speed. It is a safety feature to prevent, especially electrical on/off thrusters, from overheating if out of water or for instance a planing boat or in rough weather.

When the speed exceeds the set limit the thruster indication on the autopilot page will change as shown below.

	
<i>Thruster(s) in use</i>	<i>Thrusters unavailable when speed exceed inhibit limit</i>

→ **Note:** The Thruster inhibit limit will only apply when speed source is Log or SOG, not if the speed is set manually.

Autopilot source



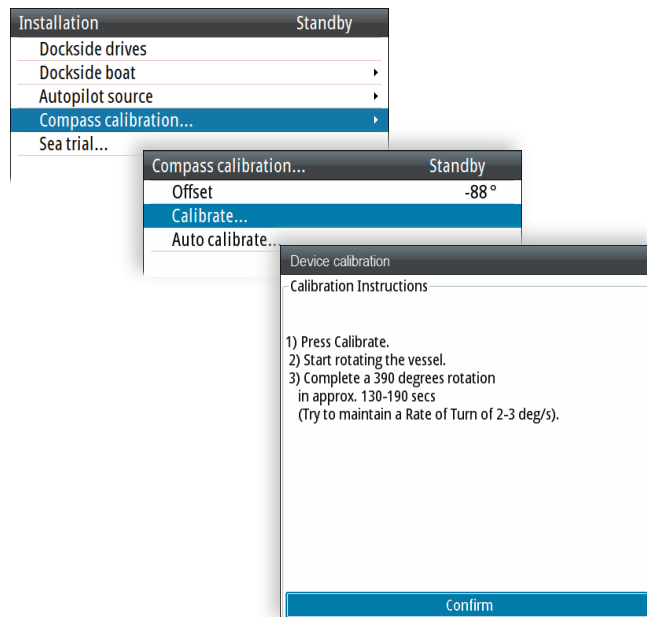
Select the main steering computer as the autopilot source.

Sea trials

Compass calibration

All magnetic compasses must be calibrated as part of the autopilot sea trial procedure.

Before the compass calibration is started, make sure that there is enough open water around the vessel to make a full turn.



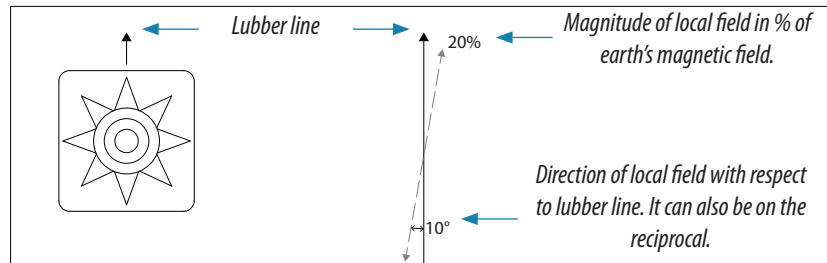
The calibration should be done in calm sea conditions and with minimal wind to obtain good results. Follow the on-screen instruction.

1. Start the calibration by selecting the Calibrate button in the device calibration dialog

2. Follow the instructions on the screen

During the calibration, the compass will measure the magnitude and direction of the local magnetic field.

- If the local magnetic field is stronger than the earth’s magnetic field (the local field is reading more than 100%), the compass calibration will fail
- If the local field is reading more than 30%, you should look for any interfering magnetic objects and remove them, or you should move the compass to a different location. The (local) field angle will guide you to the local interfering magnetic object.

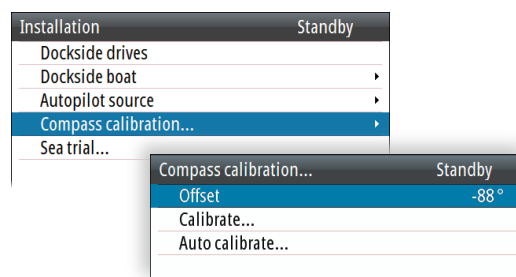


- **Note:** Calibration must be made on the compass that is active for the autopilot. If another model compass from Simrad or another manufacturer is installed, refer to the calibration instruction for that compass.
- **Note:** In certain areas and at high latitudes the local magnetic interference becomes more significant and heading errors exceeding $\pm 3^\circ$ may have to be accepted.

Compass mounting offset

The difference between the compass lubber line and the boat’s center line should be compensated for.

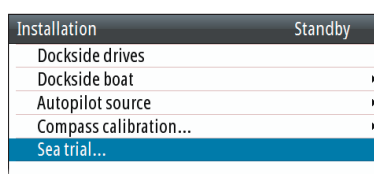
1. Find the bearing from the boat position to a visible object. Use a chart or a chart plotter
2. Steer the boat so the center line of the boat is aligned with the bearing line pointing towards the object
3. Activate the device configuration dialog as shown below
 - Ensure that the active compass is selected
4. Change the offset parameter so that the bearing to the object and the compass readout becomes equal



- **Note:** Make sure that both the compass heading and the bearing to the object have the same unit (Magnetic or True).

Drive configuration

The drive setup can usually be done while at dock, and only minor adjustments may be required at sea trial. Refer “Dockside - Drive system” on page 47.



Tuning the autopilot for optimum steering performance

Providing you have entered correct vessel type, length and cruising speed, you may not have to perform further manual or automatic tuning. Refer "Vessel configuration" on page 53.

→ Notes:

- If steering compass is magnetic type, perform any autopilot tuning steering East or West, as this will yield the best balanced parameters
- The speed during tuning should be as close as possible to cruising speed. Ensure that this is set correctly and as described in "Vessel configuration" on page 53
- Active work profile that should be used during sea trial depends on vessel type.
 - For displacement boats **NORMAL** work profile should be used
 - Planing boats will have to tune both **LO SPD** and **HI SPD** work profiles
- All tuning should always be performed in open waters at a safe distance from other traffic

Initial automatic learning process

Before doing any manual or automatic tuning, the autopilot needs to learn the turn characteristic of the boat. This is done in Auto mode by making a major course change (min. 90°) to port and starboard. For this test you may use the U-turn function (180°).

The autopilot will now find the appropriate amount of rudder to maintain the set turn rate during the turn.

When the automatic learning process is done, now proceed as follows to verify satisfactorily steering:

1. Stabilize the vessel on a heading, and then select Auto mode
2. Observe course keeping and rudder commands
 - The autopilot should keep the vessel on the set heading within an average of +/-1 degree, providing calm sea and wind
3. Make some small and bigger heading changes to port and starboard and observe how the vessel settles on the new heading
 - The vessel should have a minimum of overshoot (see example "Manual tuning" on page 57)

If the autopilot is not keeping the heading satisfactorily or not making the turns satisfactorily, you may now either try the Autotune function or go directly to Manual tuning.

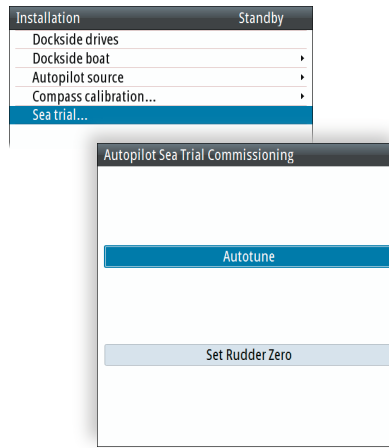
- **Note:** If the vessel is more than approximately 30 m/100 ft it may be unpractical to perform Autotune, and it is suggested to proceed with manual tuning.

Both Autotune and Manual tuning should be performed in calm or moderate sea conditions.

Autotuning

When performing an Autotune, the vessel will automatically be taken through a number of S-turns. Based on the vessel's behavior, the autopilot will automatically set the most important steering parameters (Rudder and Counter rudder). The scaling factors for the parameters are set automatically as a function of the set boat type.

1. Stabilize the vessel on a heading
2. Set the speed as close to cruising speed as possible
3. Start autotuning from the dialog
 - The pilot will take control of the vessel. Autotuning may take up to 3 minutes to complete



After the autotuning is completed the autopilot will return to Standby mode, and the rudder must be controlled manually.

→ **Note:** Autotuning can be stopped at any time by selecting Cancel.



Manual tuning

1. Stabilize the vessel on a heading, and then select Auto mode
2. Set the speed as close to cruising speed as possible
3. Activate the Quick menu by pressing the Menu key
4. Select Rudder and adjust according to the description below
5. If required, slightly adjust Counter rudder

Rudder

This parameter determines the ratio between commanded rudder and the heading error. The higher rudder value the more rudder is applied.

- A. The value is set too high. Steering becomes unstable and often the overshoot will increase
- B. Rudder is too small. It will take a long time to compensate for a heading error, and the autopilot will fail to keep a steady course



Counter rudder

Counter rudder is the amount of counteracting (opposite) rudder applied to stop the turn at the end of a major course change.

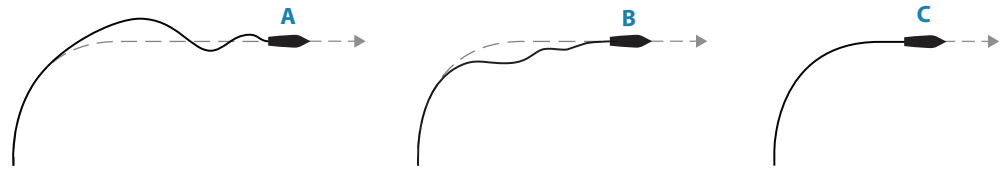
The settings depend on vessel's characteristics, loaded/ballast conditions and rate of turn.

- If the vessel has good dynamic stability, relatively small settings will be sufficient
- An unstable vessel will require high settings
- The greater the vessel's inertia, the greater value will be required

Increasing counter rudder settings may result in some higher rudder activity also when steering a straight course.

The best way of checking the value of the Counter rudder setting is when making turns. The figures illustrate the effects of various Counter Rudder settings;

- A. Counter rudder too low; overshoot response
- B. Counter rudder too high; sluggish and creeping response
- C. Correct setting or counter rudder; ideal response



Perform various course changes and observe how the boat settles on the new heading. Start with small changes, 10-20 degrees and proceed with bigger changes, 60-90 degrees. Adjust Counter rudder value to obtain best possible response as illustration C.

→ **Note:** As many boats turn differently to port versus starboard (due to propeller rotation direction), do the course changes in both directions. You may end up with a compromise setting of Counter rudder that gives a little overshoot to one side and a bit sluggish response to the other.

5

Installation checklist

General

When all units are installed, external equipment connected and the software configured according to the previous sections, the installation should be verified according to the check lists in the following pages.

Checklist

Description	Refer	Yes/No	N/A
Units mounted and secured according to instructions	"Mounting" on page 17		
CAN bus powered and terminated according to instructions	"Wiring" on page 21		
Correct power and polarity to computer and control units			
Sources selected	"System configuration" on page 41		
Network groups defined			
Master station defined			
Drive units configured and calibrated			
Vessel configured			
Compass calibrated			
Sea trial completed (Manual tuning)			
Connected equipment approved according to certificate			
User training provided			

Date: _____

Signature Installer

Signature Captain

Installation settings

Drives

Setting	AC70	SD80	AD80
Configure			
Instance			
Name (product info method)			
Drive type			
Longitudinal drive position			
Lateral drive position			
Drive control method			
Nominal drive voltage		N/A	N/A
Drive engage			N/A
Rudder feedback			
Rudder feedback calibration			
Advanced			
Min rudder			
Deadband mode			
Rudder deadband			
Thruster Response delay	N/A		
Thruster hysteresis	N/A	N/A	
Thruster operation	N/A	N/A	
Mode select	N/A		
Handshake 1	N/A		
Handshake 2	N/A		
Dither frequency	N/A		N/A
Dither amplitude	N/A		N/A
Max output port	N/A		
Max output stbd	N/A		
Rudder zero	N/A	N/A	
Zero output	N/A		
Min output			
Max output			N/A
Remote FU/DP	N/A		
Remote FU/DP calibrate	N/A		

Boat

Setting	
Dockside boat	
Boat type	
Boat length	
Cruising speed	
Transition speed	
Thruster inhibit speed	
Sea trial boat	
Turn type	

Setting	
Turn value	
Track approach angle	

Work profiles

Setting						
Profile name	Normal					
Auto steering						
Turn						
Wave filter						
Adaption						
Rudder gain						
Counter rudder						
Autotrim						
Off heading limit						
Low speed limit						
Track steering						
Track response						
Track approach angle						
Course change limits						
XTD limit						
Drive select						
Rudder						
Init rudder						
Rudder limit						
Tow angle						
Thruster						
Thruster sensitivity						
Thruster assist						
Push boat to						
	Port					
	Starboard					

Installed units

Unit	Type	Location	Date
Control units			
Remotes			
Computers			
Feedbacks			
Compass			
Other units			

6

Specifications

AP70 MK2 Autopilot system

→ **Note:** For updated technical specifications, compliance and certifications, refer to our websites.

Boat type:	Power (displacement, outboard and planing). From 30 ft and up
Steering system types:	Hydraulic; Reversible pump/Solenoids Mechanical; Rotary drive/Linear drive. Max 6 rudder/thruster drives
Inter-unit connection:	CAN bus/NMEA 2000
System ON/OFF:	From control units
Supply voltage:	12/24 V DC +30 -10%
Power consumption:	Dependent on system configuration (See spec for individual units)
EMC protection:	IEC 60945: 2002-08
Performance:	IMO A.342(IX) & A.822(19), ISO 11674 & 16329
Rate of turn:	Within $\pm 10\%$ of preset value or $3^\circ/\text{min}$. Ref. ISO 11674: 4.3.7
Heading indication error:	$<0.5^\circ$. Ref. ISO 11674: 4.3.5
Heading stability:	Within $\pm 1^\circ$. Ref. ISO 11674: 4.3.13
Automatic Steering Control	
Rudder/thruster Drive	Reversible pump, solenoid on/off, proportional valve, analog
Electronic interface:	
Serial data input/output ports::	AC70: 1 AC80, AC85, SI80: 4 Refer to "Supported data" on page 71
Heading sensors:	Gyrocompass, Fluxgate/Rate compass, Magnetic compass, GPS compass (NMEA)
Course selection:	Rotary course knob and buttons
Alerts:	Audible and visual, external optional (AC70)
Alert modes:	See "Alert system" on page 61
Steering modes:	Standby, Non-follow-up, Follow-up, Auto, NoDrift, Nav
Special turn modes:	U-Turn and S-Turn

AP70 MK2 control unit

DISPLAY	
Size	127 mm (5")
Resolution (HxW)	480x480
Type	16-bit color TFT
Antifog	bonded
Best viewing direction	any direction
Backlight	Cold Cathode Fluorescent Lamp (CCFL)
NETWORKING	
CAN bus	1 port
USB	1 port
Ethernet	1 port
POWER	
Local supply	12/24 V DC +30-10%
Consumption local supply	0.7/0.4 A at 12 V DC 0.4/0.3 A at 24 V DC backlight full/off"
NMEA 2000 Load Equivalent number (50 mA)	1
INTERFACE	
External alarm/Active unit output	Maximum 100 mA, 4.5 A short circuit limit
External Take CMD input contact current	Maximum 8 mA
ENVIRONMENT	
Temperature, operation	-30°C to +55°C (-22°F to 131°F)
Temperature, storage	-25°C to +70°C (-13°F to 158°F)
Category	Exposed, IPx6
MECHANICAL	
Weight	1,4 kg (3.1 lbs)
Size	Refer "Drawings" on page 72
Mounting	Panel (flush) or optional bracket
Compass safe distance	0.4 m
Material	Epoxy coated seawater resistant aluminium, plastic front bezel
Color	Black and grey
Cable inlet, refer to "AP70 MK2 connector pinouts" on page 70	1 Power/alarm, 1 Micro-C con.

Autopilot computers

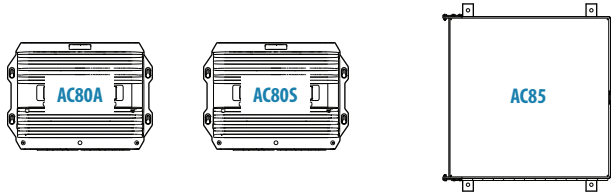
→ **Note:** For signal specification of the board(s), see “Computer boards” on page 67.

SI80, AC70, AD80 and SD80 computers



	SI80	AC70	AD80	SD80
Board				
SI80 board	x			
AC70 board		x		
AD80 board			x	
SD80 board				x
POWER				
Local supply	12/24 V DC, +30 - 10%. Need 12 V CAN supply		N/A	N/A
Consumption local supply	0,3 - 5 A CAN bus load dependent	100/65 mA at 12/24 V DC + load of connected equipment (motor, solenoids, clutch etc.)	N/A	N/A
NMEA 2000 Load Equivalent number (50 mA)	1	1	4	3
Output for CAN bus supply	15 V DC, +/- 5%, 4 A max	N/A	N/A	N/A
ENVIRONMENT				
Temperature, operation	-15°C to +55°C (5°F to 131°F)			
Temperature, storage	-30°C to +70°C (-22°F to 158°F)			
Category	Protected, IPx2			
MECHANICAL				
Weight	0,9 kg (2 lbs)	1 kg (2.2 lbs)	0,5 kg (1.1 lbs)	
Size (length x width x height)	See “AC70 and SI80 computer” on page 73		See “SD80 and AD80 computers” on page 73	
Mounting	Bulkhead			
Compass safe distance	1 m			
Material	Plastic front and anodized aluminum back		Plastic	
Color	Black			
Cable inlet	Slots: 9 x 95 mm and 18 x 45 mm (0.4" x 3.7" and 0.7" x 1.8")			

AC80A, AC80S and AC85 computers



	AC80A	AC80S	AC85
Board			
SI80 board	x	x	x (1 Basic), (+1 optional)
AC70 board			Optional Max. 4 boards
AD80 board	x		
SD80 board		x	
POWER			
Local supply	12/24 V DC +30-10%		
Consumption local supply			
NMEA 2000 Load Equivalent number (50 mA)	5	4	Config. dependant. Max. 13
Output for CAN bus supply	15 V DC, +/- 5%, 4 A max.		
ENVIRONMENT			
Temperature, operation	-15°C to +55°C (5°F to 131°F)		
Temperature, storage	-30°C to +70°C (-22°F to 158°F)		
Category	Protected, IPx4		Protected, IPx4
MECHANICAL			
Weight	4.1 kg (9 lbs) (basic)		
Size (length x width x height)	See "AC80A and AC80S computer" on page 74		See "AC85 computer" on page 74
Mounting	Bulkhead		
Compass safe distance	1 m		
Color	Black		
Cable inlet	Grommets: 7 for cable diameter 7 - 10 mm (0.3" - 0.4") 4 for cable diameter 10 - 14 mm (0.4" - 0.6")		Grommets: 8 for cable diameter 10 - 14 mm (0.4" - 0.6") 7 for cable diameter 14 -20 mm (0.6" - 0.8")

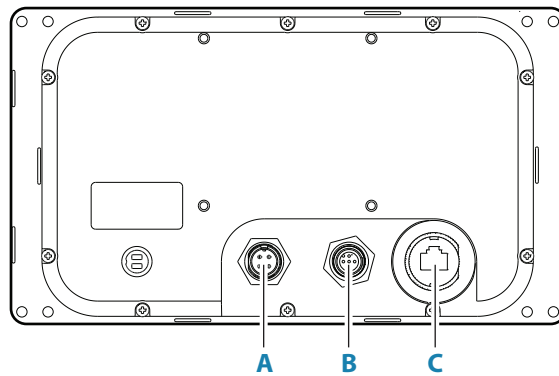
Computer boards

	SI80	AC70	SD80	AD80
NETWORKING				
NMEA 0183, IEC 61162-1, IEC 61162-2, input	4 ch	1 ch		
NMEA 0183, IEC 61162-1, IEC 61162-2, output	4 ch	1 ch		
NMEA 0183, IEC 61162-1, IEC 61162-2, baud rate	4.8, 9.6, 19.2 and 38.4 kBaud	4.8, 9.6, 19.2 and 38.4 kBaud		
CAN bus	x	x	x	x
POWER				
Local supply	12/24 V DC +30 - 10%	12/24 V DC + 30 - 10%. Need 12 V CAN supply	N/A	N/A
Consumption local supply	0,3 - 5 A CAN bus load dependent	100/65 mA at 12/24 V DC + load of connected equipment (motor, solenoids, clutch etc.)	N/A	N/A
NMEA 2000 Load Equivalent number (50 mA)	1	1	3	4
Output for CAN bus supply	15 V DC, +/- 5%, 4 A max.	N/A	N/A	N/A
INTERFACE				
Reversible motor control of rudder/thruster	N/A	Max. continuous load 30 A, peak 50 A for 1 sec	N/A	N/A
On/off solenoid control of rudder/thruster	N/A	12/24 V DC, common lo, load range 10 mA to 10 A. (Off state <1 mA)	Externally supplied 12/24 V DC, common hi or lo, load range 10 mA to 10 A. (Off state <1 mA)	N/A
Analog voltage control of rudder/thruster, internal supply	N/A	N/A	N/A	Range ± 10 V, max. load 5 mA
Analog voltage control of rudder/thruster, external supply	N/A	N/A	N/A	"Supply range: 5-24 V DC Control range: 5-95% of supply range with zero ref at min or half ref. voltage, max. load 5 mA"

	S180	AC70	SD80	AD80
Analog current control of rudder/thruster	N/A	N/A	N/A	4-20 mA
Proportional directional control of rudder/thruster	N/A	N/A	Solenoid control for direction, "Engage" output for speed	N/A
"Engage" output for bypass/clutch	N/A	12/24 V DC, min. 10 mA, max. 3 A	Externally supplied 12/24 V DC on/off or proportional, min load 10 mA, max load 3 A, superimposed dither 0-10% amplitude, off or 70-400 Hz	N/A
"Ready" output for rudder/thruster	N/A	N/A	Max. load 100 mA, 32 V DC, software and watchdog controlled, galvanic isolated (closed = ready), polarity independent	
Rudder angle, frequency input	N/A	15 V (out), 1.4 to 5 kHz, resol. 20 Hz/°, center 3.4 KHz	15 V (out), 1.4 to 5 kHz, resol. 20 Hz/°, center 3.4 kHz	
Rudder angle or remote FU/DP, voltage input	N/A	N/A	Ranges ± 5 V, ± 10 V, 0-5 V, 0-15 V	
Rudder angle or remote FU/DP, current input	N/A	N/A	4-20 mA	
NFU port/stbd input and mode indicator output	External open/close contact, common ret, contact current max. 30 mA	External open/close contact, common ret, contact current max. 30 mA	N/A	N/A
Mode input	N/A	External open/close or pulse contact for SYSTEM SELECT, common ret, close to activate, contact current max. 30 mA	External open/close or pulse contact for SYSTEM SEL, STBY, AUTO, TRACK, common ret, close to activate, contact current max. 30 mA	

	SI80	AC70	SD80	AD80
Programmable handshake output, 2 ports (Steering gear/thruster interface, Alarm panel, Watch alarm, Remote FU/DP acknowledge)	N/A	N/A	Internal open/close polarity independent solid state contact, galvanic isolated, max load 100 mA, 2 V DC	
Programmable handshake input, 2 ports (Steering gear/thruster interface, Alarm panel, Pulse log, Pendulum ferry, Mains steering wheel override, remote FU/DP request)	N/A	N/A	External open/close contact, contact current max. 30 mA	
External alarm output for buzzer/relay	N/A	Max 100 mA, voltage level as local supply	N/A	N/A
EVC (Electronic Vessel Control) interface	N/A	CAN via SG05 Gateway	CAN via SG05 Gateway	

AP70 MK2 connector pinouts



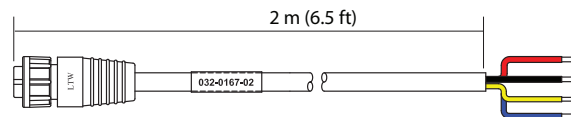
- 1 Power**
- 2 CAN bus**
- 3 Ethernet**

Power

Cable connector (female - front view)

Layout	Pin	Wire color	Function
	1	Black	Battery (-)
	2	Blue	Alarm/Active
	3	Yellow	External command
	4	Red	Battery (+), 12 - 24 V DC

Power cable



CAN/NMEA 2000/SimNet

Micro-C cable connector (female - front view)

Layout	Pin	Wire Color	Function
	1	(Bare)	Shield
	2	Red	NET S (+12 V)
	3	Black	NET C (-)
	4	White	NET H
	5	Blue	NET L

Ethernet

The ethernet port is not used.

Supported data

IEC61162-1/2 interface channels

Channel	Default name (can be changed by user)
AC70	NMEA 0183
SI80-1	VDR
SI80-2	GYRO
SI80-3	ECDIS
SI80-4	BAM (Bridge Alert Management)

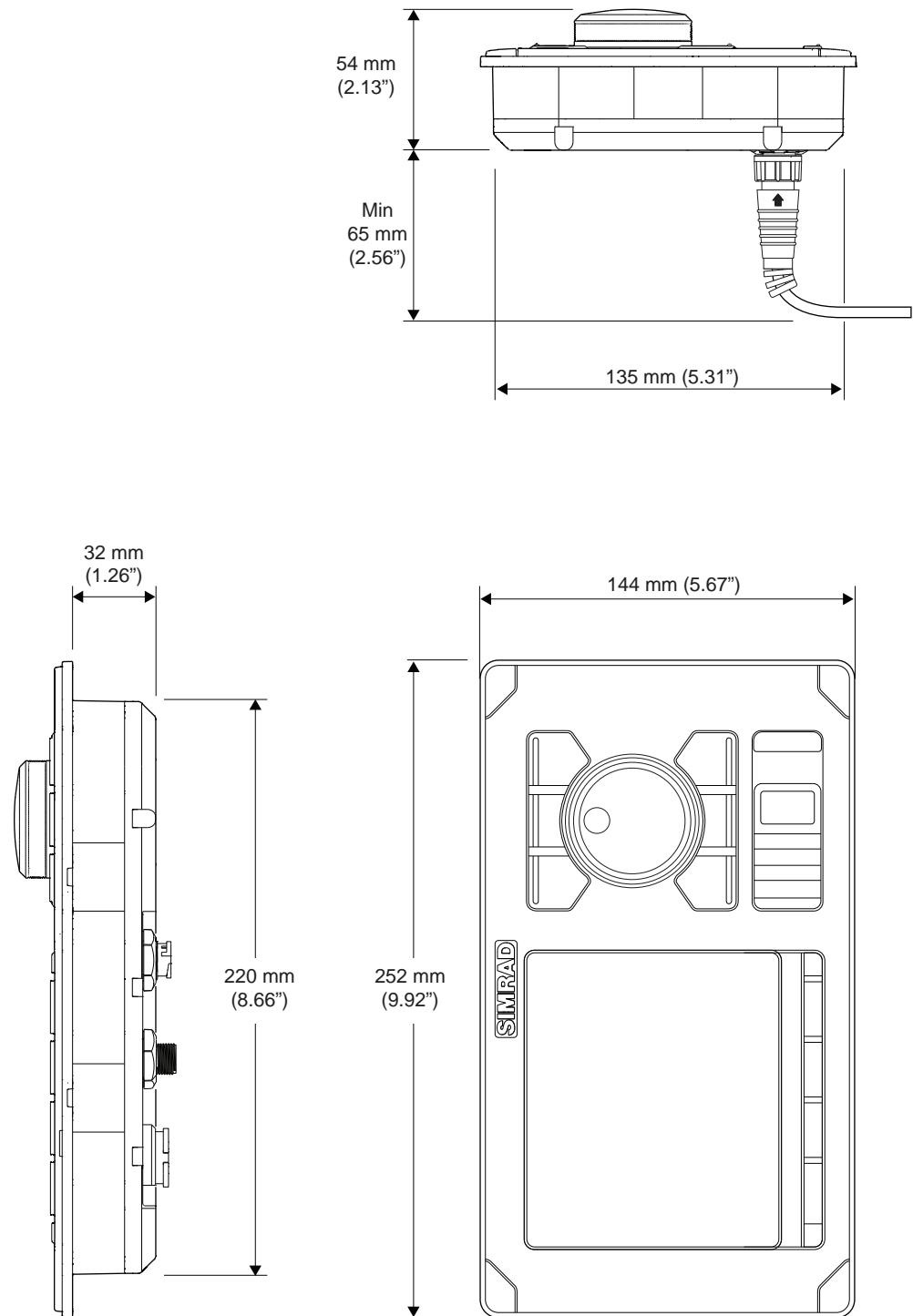
Sentences

Sentence	In	Out (number is output repeat rate in Hz)					NMEA 2000 PGN	Comments
		AC70	SI80-1	SI80-2	SI80-3	SI80-4		
AAM	x						129284	
ACK	x		x			x	130850	Output: When alarm is acknowledged
ALR			x			x	130850	When alarm activate, ack and deactivate
APB	x						129283,129284,129285	
BOD	x						129284	
BWC	x						129284	
DPT	x						128267	
GGA	x				1	1	129025,129029	
GLL	x				1	1	129025,129029	
HDG	x	10	1	10			127250	Output: When magnetic heading source
HDT	x	10	1	10			127250	Output: When true heading source
HTD			1		1	1	127237	
MWV	x						130306	SI80 only
RMA	x						129025, 129026, 127258	
RMB	x						129283, 129284	
RMC	x						127258,129025, 129026, 129029, 129033	
ROT	x			2			127251	
RSA		5	3	5	5	5	127245	
THS	x		3		10	10	127250	
TLB	x						128520	SI80 only
TNT	x				5		130862	Proprietary track control
TTD	x						128520	SI80 only
TTM	x						128520	SI80 only
VBW	x						128259, 130578	
VHW	x						127250, 128259	
VLW	x						129026	
VTG	x				1		129026	
ZDA	x				1		129033	

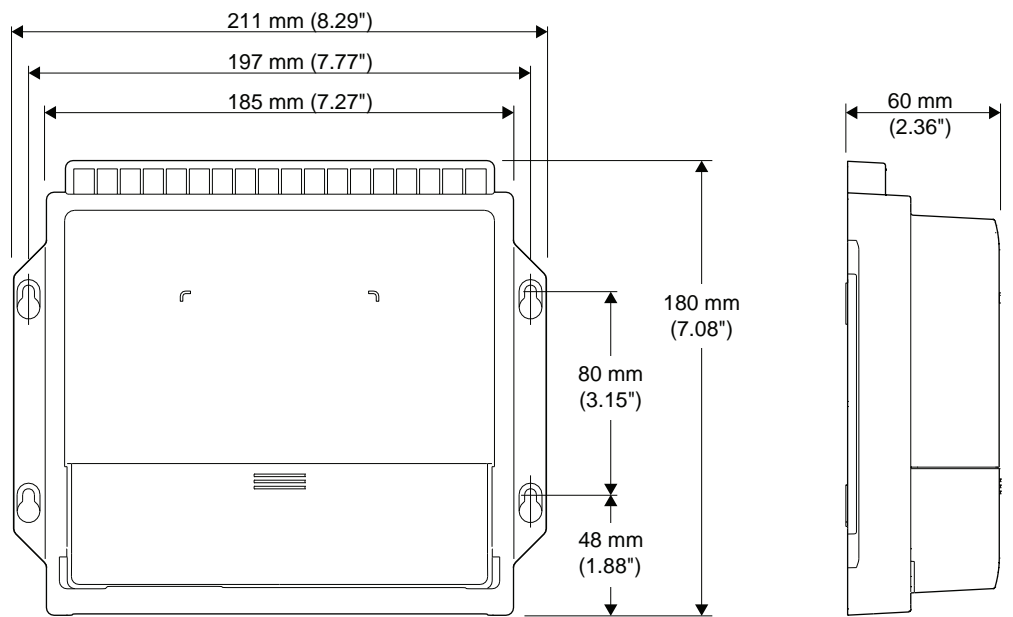
7

Drawings

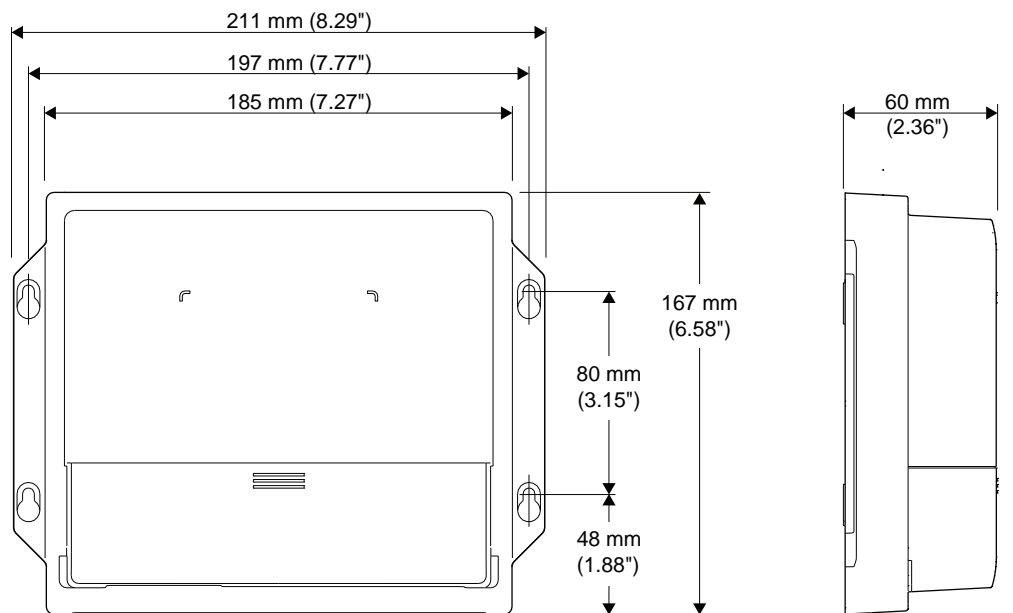
AP70 MK2 control unit



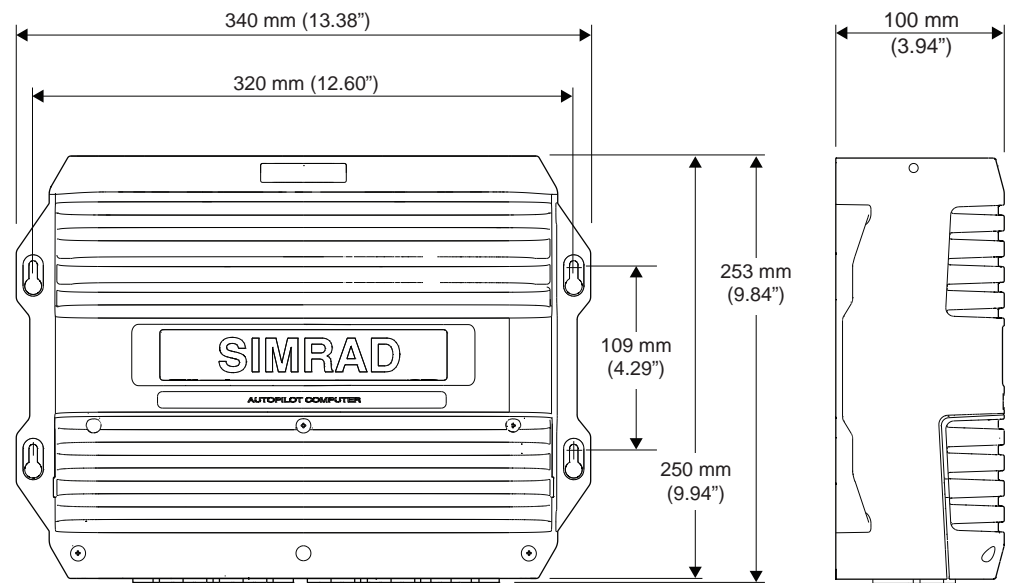
AC70 and SI80 computer



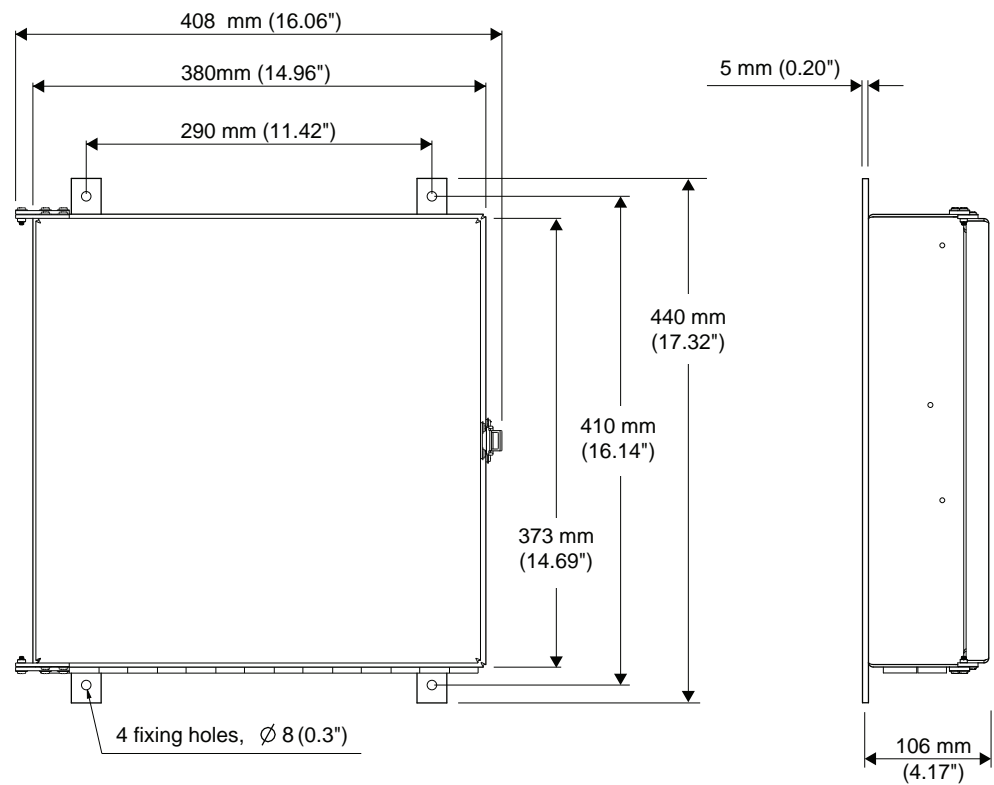
SD80 and AD80 computers



AC80A and AC80S computer



AC85 computer





SIMRAD

