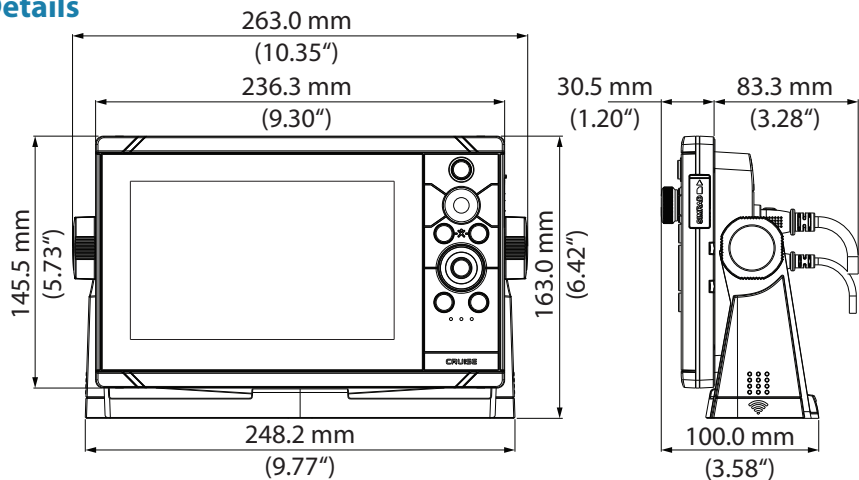


Details



Sunlight readable



-15°C to +55°C
+5°F to +131°F



0.96 Kg
2.12 lbs



1x card reader slot
Micro SD



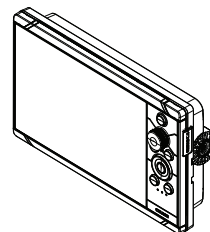
60°/50°, top/bottom
70°/70°, left/right



IPX6
IPX7

SIMRAD

CRUISE 7 INSTALLATION GUIDE



Compliance statements

The relevant Declaration of conformity is available in the product's section at:

www.simrad-yachting.com

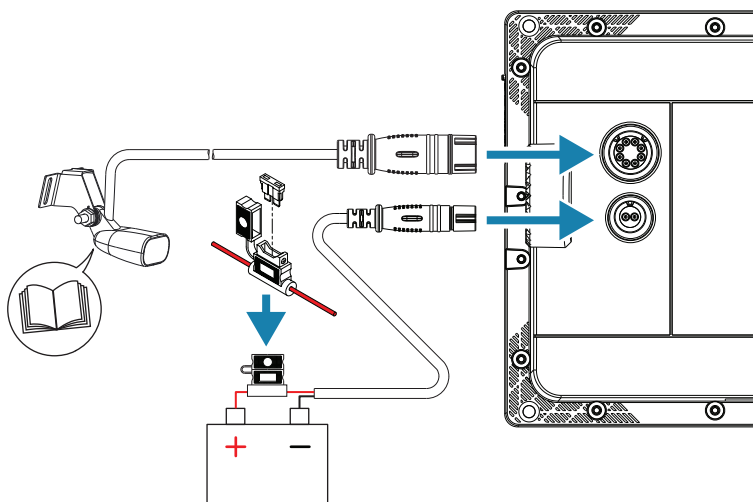
This product complies with:

- CE under RED Directive 2014/53/EU
- the requirements of level 2 devices of the Radio communications (Electromagnetic Compatibility) standard 2017

Warning

The user is cautioned that any changes or modifications not expressly approved by the party responsible for compliance could void the user's authority to operate the equipment.

Wiring



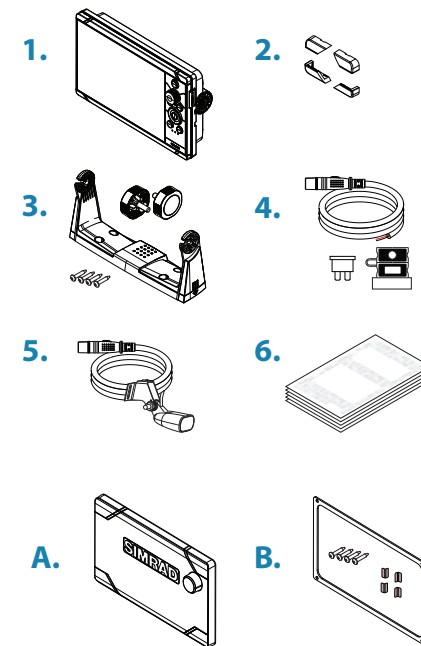
10.4 to 17.0 V DC
<math>< 16.3\text{ W}</math> (3 A fuse)

Parts included

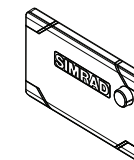
1. Display unit
2. Corner clips
3. Bracket mounting kit
 - Bracket
 - 2x knobs
 - 4x screws, self-tapping #10 X 3/4 PN HD SS
4. Cable and fuse kit
 - Power cable
 - Fuse and fuse holder
5. Skimmer transducer
6. Document package

Accessories (sold separately)

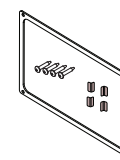
- A. Sun cover
Part no.: 000-15068-001
- B. Panel mounting kit
Part no.: 000-15071-001



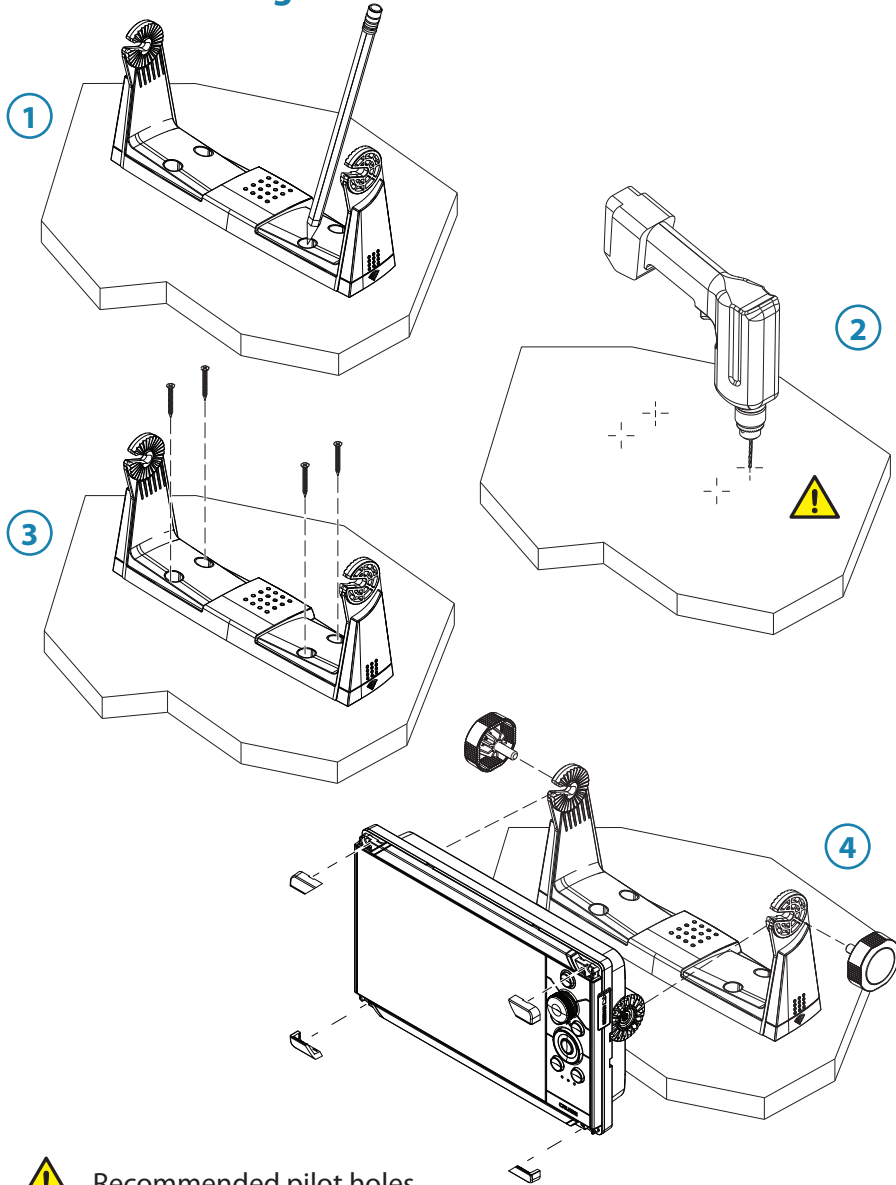
A.



B.



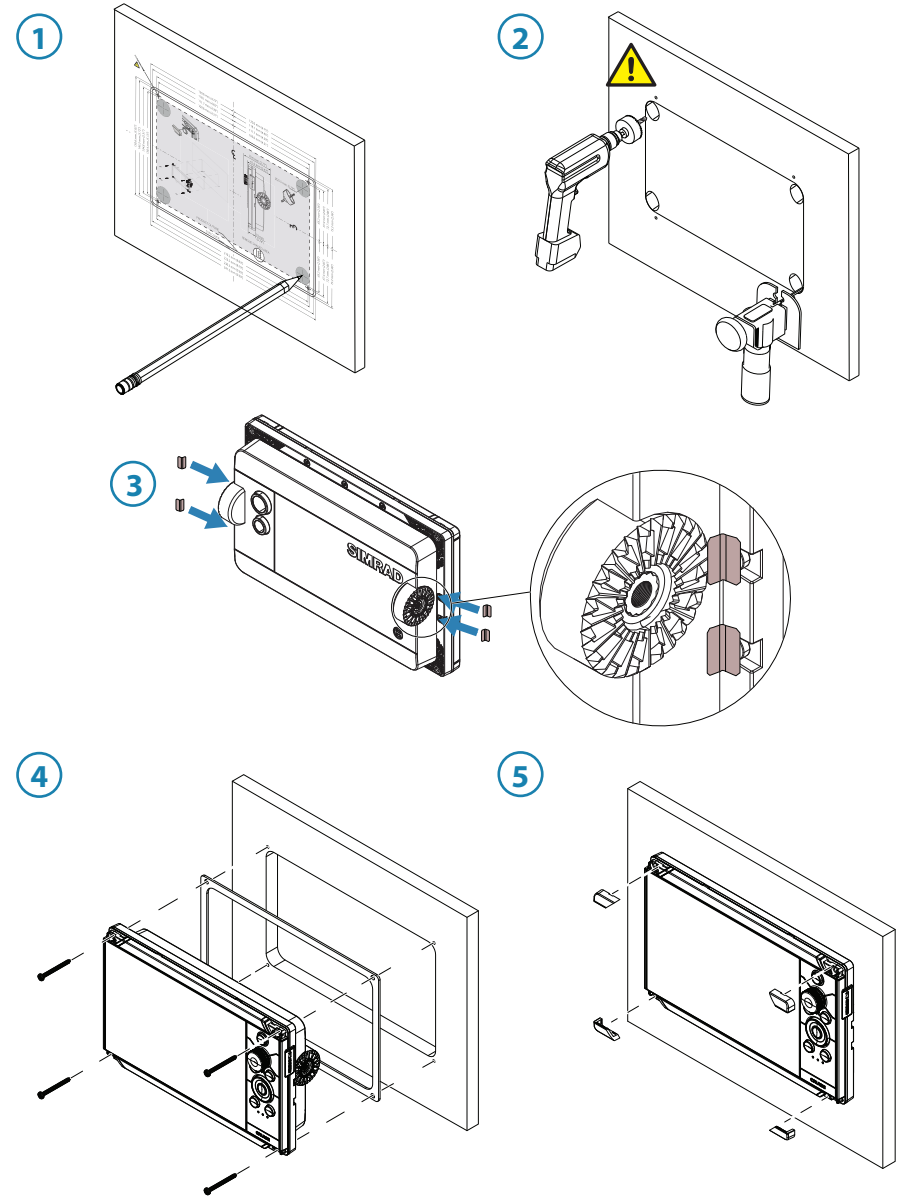
Bracket mounting




 Recommended pilot holes.

Material	10# screw
Soft materials e.g. Plywood	Ø 3.7-4.0 mm (5/32")
Hard materials e.g. Fiberglass, Acrylic, Hardwoods	Ø 4.1-4.7 mm (3/16")

Panel mounting



 See panel mounting template for drilling and cutting details. Panel mounting kit is sold separately.