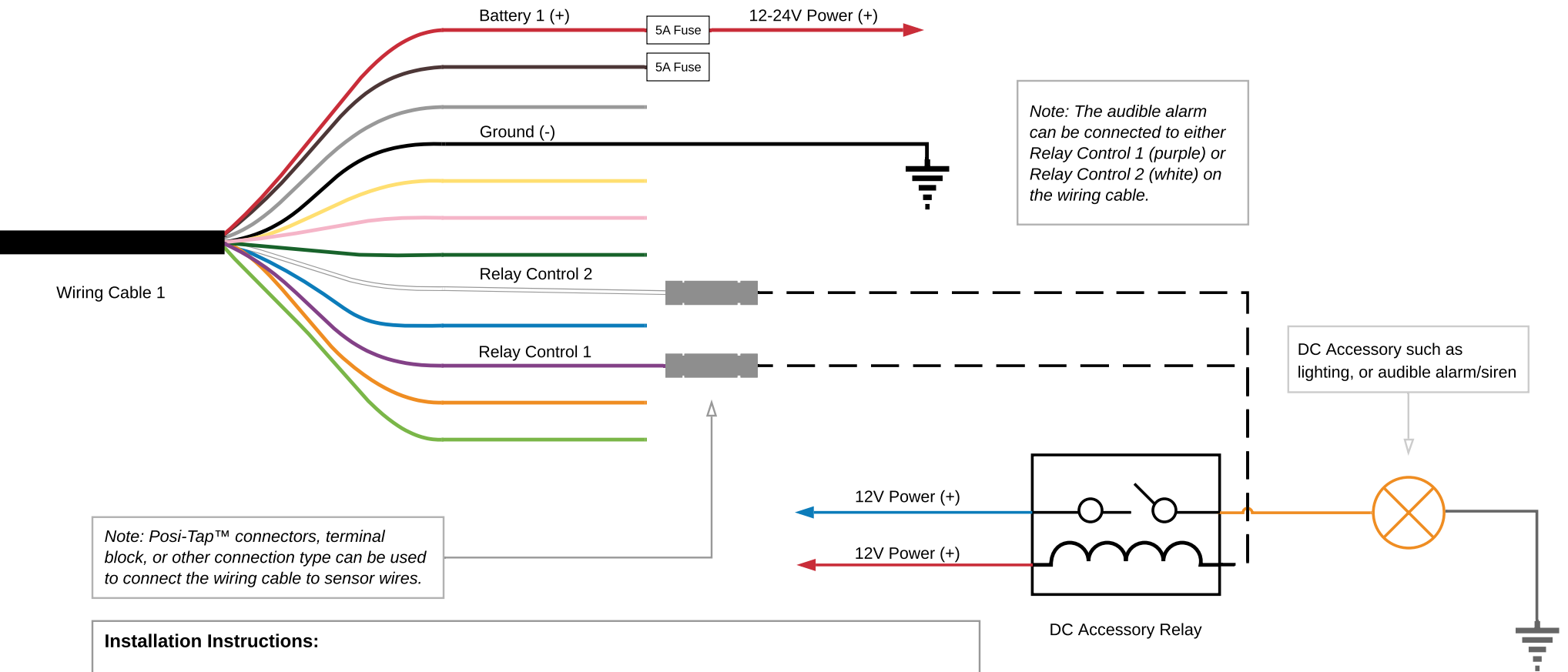


DC Accessory Relay Wiring Diagram



Note: The audible alarm can be connected to either Relay Control 1 (purple) or Relay Control 2 (white) on the wiring cable.

Note: Posi-Tap™ connectors, terminal block, or other connection type can be used to connect the wiring cable to sensor wires.

Installation Instructions:

1. Connect black relay wire to Relay Control 1 (purple) or Relay Control 2 (white) on the wiring cable.
2. Connect orange relay wire to accessory.
3. Connect blue relay wire to 12V power.
4. Connect red relay wire to 12V power.

Note: The red and black wires connect to the coil side of the relay. The blue and orange wires connect to the switch side of the relay.

Product SKU: SM-ACC-DCRE