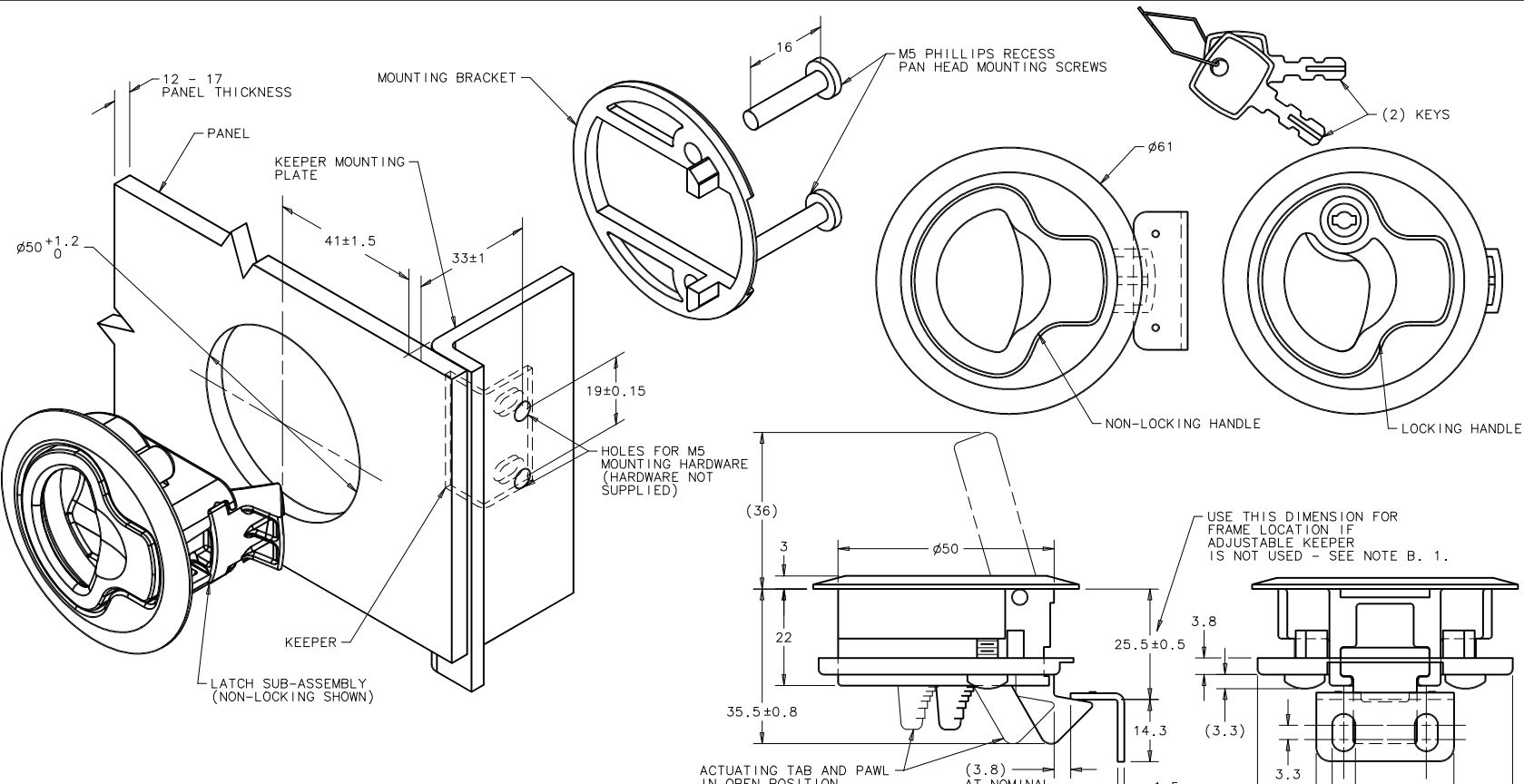


DRAWING NUMBER	J-M1-63-1
DATE	31AUG92
SCALE	1:1
REMARKS	LOCKABLE NON-LOCKING
FINISH	SEE NOTE A
ITEM	SEE NOTE A
PART NUMBER	SEE NOTE A
MATERIAL	SEE NOTE A
ASSEMBLY	PC/PBT BLEND
LATCH SUB-ASSEMBLY	304 STAINLESS STEEL
MOUNTING BRACKET	PASSIVATED
KEEPER	300 SERIES STAINLESS STEEL
MOUNTING SCREWS (2)	PASSIVATED

THIRD ANGLE PROJECTION	
PAPER SIZE	A3
DIMENSIONAL TOLERANCE UNLESS OTHERWISE NOTED	±0.25
MILLIMETER	

REVISION	REV. DATE	DRAWN	BY
1	05DEC2002	RLR/DLH	PRN: P2002-09.35
2	19APR2004	MDY/AJH	PRN: P2004-0402



- NOTES:
- A. MATERIAL AND FINISH:  
 -LATCH SUB-ASSEMBLY CONSISTS OF HOUSING AND HANDLE  
 -PC/PBT BLEND, SEE TABLE  
 -PAWL: ACETAL, SEE TABLE  
 -SPRING: 302 STAINLESS STEEL, PASSIVATED  
 -PIN: 302 STAINLESS STEEL, PASSIVATED PLUS BLACK OXIDE  
 -LOCK: MINERAL FILLED NYLON, BLACK  
 -KEYS: 301 STAINLESS STEEL, PASSIVATED
- B. APPLICATION:  
 1. IF ADJUSTABLE KEEPER IS NOT USED, EDGE OF KEEPER SURFACE WHICH PAWL SLIDES AGAINST MUST HAVE 0.5 RADIUS MIN.  
 2. MAX. TIGHTENING TORQUE ON MOUNTING SCREWS IS 1.7 Nm.  
 3. MAXIMUM RECOMMENDED WORKING LOAD EXERTED BY KEEPER ON PAWL IS 265 N.  
 AVERAGE ULTIMATE LOAD IS 530 N.

COLOR TABLE

X	= 1 - WHITE
X	= 7 - BEIGE

