

Rigging Kits

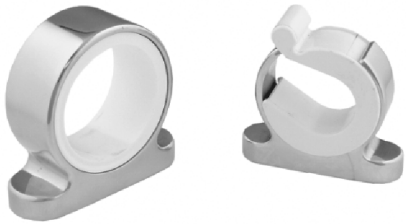


Complete kits include everything you need to rig both outriggers.

- Unique barrel swivel included for easy adjustment
- Premium kit includes stainless steel hardware
- Easy to follow instructions



Snap Lock Rod Hangers - Secures rods safely

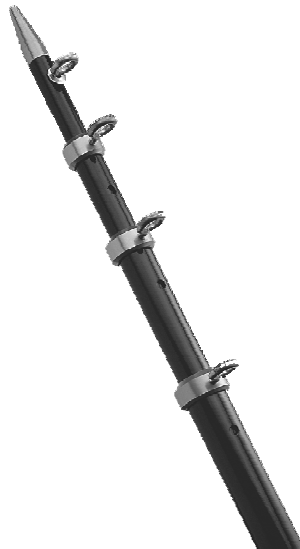


- Unique self locking spring
- Polished marine grade 316 Stainless Steel
- Flush mounting system with hidden fasteners.

TACO Tele-Outriggers

This patented design outrigger is the perfect compliment for your new Striker Base.

- Available in black, silver and blue poles,
- Retracts to less than 6' for bridges, trailering and storage.



Installation and Care Instructions



50 N.E. 179th Street
Miami, Florida 33162
Tech Support: 800-653-8567
Fax: 305-770-2386

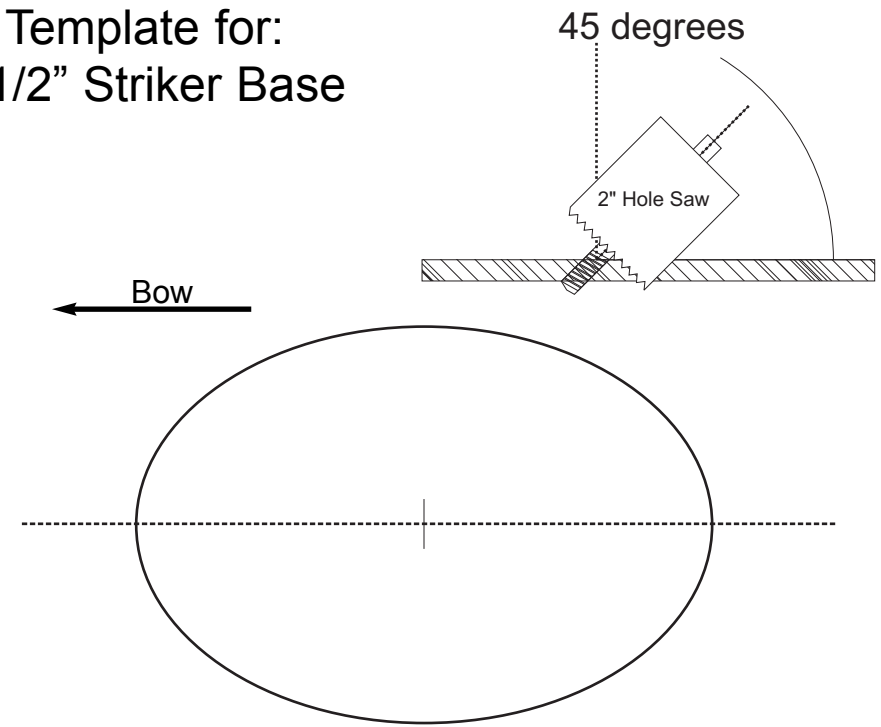
tacomarine.com

INSTALLATION: The lower base tube is at a 45 degree angle. The Ellipse hole should be cut at 45 degrees to the gunwale or other mounting surface. Enlarge the template ellipse with file as necessary to get a good fit. Use wide masking tape to protect mounting surface of base location prior to marking out for ellipse and before drilling. This helps prevent damage from drill slippage. Mark and drill the area with a hole saw. Drill bolts only after elliptical hole is made and base is positioned correctly and flat to the mounting surface (For 1-1/8" base use a 1-1/2" hole saw and for 1-1/2" model use a 2" hole saw). Use a marine sealant between the mounting surface and the base. Use only high quality stainless steel fasteners. TACO recommends through bolting if possible, and the use of backing plates on gunwale that are 3/4" or less for mounting surface reinforcement.

The gunwale mounting Striker bases are installed with the TACO logo design toward the stern of the boat. The T-Top Striker bases are installed with the TACO logo design facing the bow of the boat.

MAINTENANCE: Wash with fresh water after every use.

Template for: 1-1/2" Striker Base



Warning: Do not drill bolts until the lower base is flush to the deck surface

Template for: 1-1/8" Striker Base

