



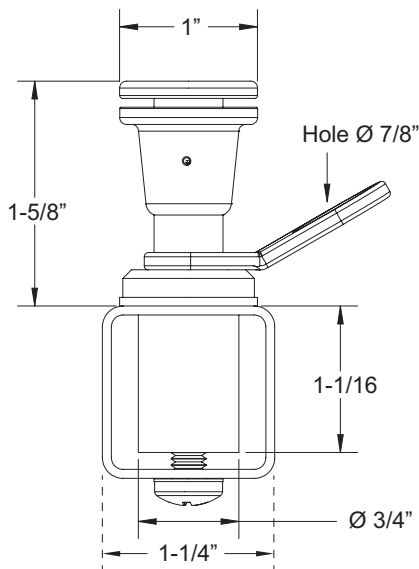
## PONTOON FENDER LOCK



Taco Marine introduces the latest in a line of accessories intended for easy docking along with safety and convenience. Make your docking experience as effortless as possible. Quickly set your fender lines at the desired length off the side of your pontoon boat. The line remains at optimum length with the mounting pin attached. At the dock, you simply insert the pin into the fitting and your pontoon boat is protected with the fenders in their ideal position.

### FEATURES & BENEFITS

- Stainless Steel Type 316
- Designed for pontoon boats
- 1" diameter button
- Fits 1" - 1-1/4" square tube
- Nylon ring washer to separate dissimilar metals
- Mounting application fastens from the bottom of the square tube



**RECEIVER ONLY ALSO AVAILABLE!**



The "Pontoon Fender Lock Receiver Only" allows pontoon boaters the ability to quickly and easily place fenders in multiple places where they prefer to hang them off the boat at the desired position every time.



Dimensions shown in inches

Part #	Description	Eye	UPC	U of M	Std. Pk.
F16-0220-1	Pontoon Fender Lock	7/8" ID	630890088866	Each	12
F16-0203-1	Pontoon Fender Lock Receiver Only	N/A	630894088909	Each	12

