



Grand Slam 280 and 2801 Installation Instructions



GS-280



GS-2801

Patent #6,668,745

TACO Metals Inc., info@TACOMETALS.COM
TACOMETALS.COM

INSTALLATION OF YOUR NEW GRAND SLAM 280/2801 OUTRIGGER BASE ON A T-TOP (CANVAS TOP)

When installing the Grand Slam mount on a canvas top, a mounting plate must first be installed running fore and aft on each side between the brace bars of the T-Top. Another option would be to weld in your own plate.

1. To find the proper location of the mounting plate keep in mind that the handle of the GS-280/2801 requires 8" of clearance from the center of the 3-1/8" hole in order to rotate the outrigger 90° from facing aft to the outboard position. The handle positions can be changed on this model.
2. If you are going to weld your own mounting plates to the frame, unlace the canvas and remove any wires that may be inside the tubing of the brace bars and the T-Top frame where you are going to weld. If you are using one of our weld-on or clamp-on plates, steps 3 and 4 have been done for you. If you are using our clamp-on plate it is not necessary to unlace the canvas.
3. If you are having plates made, they should be 3/8" thick by 5" wide and long enough to fit between the brace bars. When drilling the holes, it is best to cut the 3-1/8" hole and drop the GS-280 into the hole and mark the location of the 4 mounting holes right through the holes in the unit. When determining where to place the 3-1/8" hole in the plate, **refer to step 1**.
4. Weld the plates to the frame and brace bars. The mounting plates should be welded on 3 sides.
5. Reinstall the lacing on the canvas.
6. With a razor knife cut an X in the canvas through the 3-1/8" holes in both of the aluminum mounting plates. Then cut each of those triangular pieces in half so you now have 8 flaps of canvas going down through the hole in the plate.
7. Both GS-280's are exactly alike. They come with the handle in the

same position as the outrigger tube. If this is the handle position you want, one of the units will be ready to drop right in with the upper adjusting knob facing outboard and the outrigger tube facing aft along with the handle opening.

8. Locate this unit and remove the 2 hex head screws from the handle with a 1/8" Allen Wrench and pull the handle out.
9. On the underside of the GS-280 put a bead of Silicone around all 5 holes of the unit and place on top of the canvas directly over the holes in the plate, insert the bolts and tighten with a 3/16" Allen Wrench and re-install the handle.
10. To change the handle position of the other unit, first follow steps 8 and 9, but do not put the handle in yet. Pull off the plastic logo cap and up inside the unit you will see a bolt head. With a ratchet, short extension and a 9/16" socket, loosen the bolt by turning it counter clockwise 5 complete turns.
11. Re-install the handle but do not screw it in. Pull down on the handle and rotate it until the outrigger holder on top is facing aft with the adjusting knob facing outboard. You may have to flip the outrigger holder over to the other horizontal position to accomplish this.
12. Someone else should stand on the gunwale, and pull up on the outrigger holder. The person below can now rotate the handle to any desired position. If the handle does not rotate, pull the handle out and loosen the bolt one more complete turn and try again.
13. Now re-install the hex head screws and plastic cap and the installation is complete.

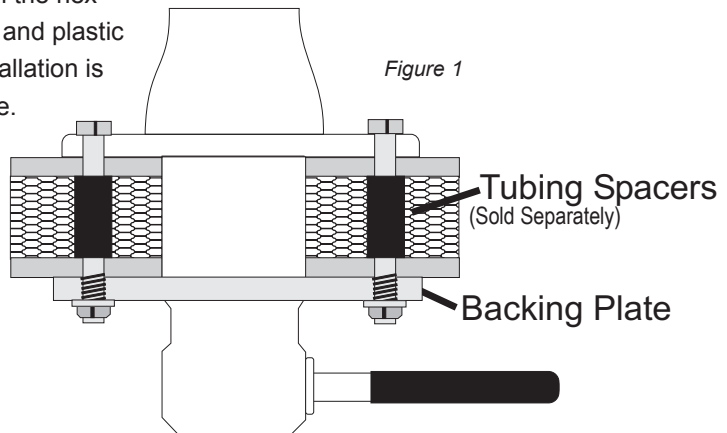
INSTALLATION OF YOUR NEW GRAND SLAM 280/2801 OUTRIGGER BASE ON A HARD TOP



TACO Tip: As a rule of thumb, if the hard top is strong enough to walk on, it is usually strong enough to mount an outrigger on it.

1. If you have a foam or core filled hard top make sure its thickness does not exceed 3".
2. The starting, or at rest position of the outrigger is facing aft. The handles of the GS-280 are set in the same position at the factory. If you require a different handle starting position, instructions on how to change them are in **steps 13-17**.
3. Select the mounting location of the Grand Slam mount, keeping in mind that the center of the 3-1/8" hole on the GS-280 must be a minimum of 8" away from any object in the direction the handle will rotate from the starting position you choose.
4. After determining the proper location for the 3-1/8" hole mark the center of the hole and either drill up from underneath the hard top with a 3-1/8" hole saw, or drill a small hole through the hard top and then drill down with the 3-1/8" hole saw.
5. Insert the Grand Slam unit into the hole with the outrigger arm laying down in the horizontal position facing aft. You want to make sure that the base is straight before drilling the 4 mounting holes. It is easier to tell if the base is straight if you place an outrigger in the tube and have someone observe it from the stern.
6. Mark the hard top through each of the 4 mounting holes on both units, then remove the units to drill the mounting holes.
7. For a solid fiberglass hard top, drill each hole with a 5/16" drill bit.
8. Put a bead of silicone on the underside of the footprint of the Grand Slam units around the lower body and around each mounting hole and insert them into the 3-1/8" holes.
9. Install the 4 mounting bolts through the Grand Slams, through the hard top and through the backing plate on the underside of the hard top, install the washers and nuts and tighten the nuts while someone holds the screws with an Allen wrench.

10. For a soft core or hollow core hard top, drill each hole with a 7/16" drill bit. Measure the thickness of the hard top and cut the spacers to the same length. **See Figure 1.**
11. Put silicone on the underside of the footprint of the Grand Slam units around the lower body and each of the mounting holes and insert the Grand Slams into the 3-1/8" hole.
12. Install the 4 mounting bolts through the Grand Slams, slide the spacers up from the underside, install the backing plate, washers and nuts and tighten the nuts firmly, but do not over tighten. The spacers should prevent you from compressing the hard top.
13. To change the position of the handle remove the 2 hex head screws from the handle with the included Allen wrench and pull the handle out. **Note: you can get to the top screw easier if you pull down on the handle and move it so it is in-between positions.**
14. Pull off the plastic logo cap and up inside the unit you will see a bolt head. With a ratchet, short extension and a 9/16" socket, loosen the bolt counter clockwise 5 complete turns.
15. Insert the handle but do not screw it in. Above the hard top the adjusting knob should be facing outboard. If the knob is inboard, flip the outrigger holder arm over to the other horizontal position, then pull down on the handle and rotate it until the outrigger holder on top is facing aft.
16. Someone else should stand on the gunwale and pull up on the outrigger holder and hold it steady while the person below rotates the handle to the desired starting position.
17. Now re-install the hex head screws and plastic cap. The installation is now complete.



TACO TELE-OUTRIGGERS

This patented design outrigger fits perfectly with TACO's Grand Slam Mounts. Available in black and silver poles with gold on rings and tips. 15' poles retract to less than 6' for clearing bridges, trailering and storage. Rigging kits also available.



Patent #5,921,196



info@TACOMETALS.com
TACOMETALS.com