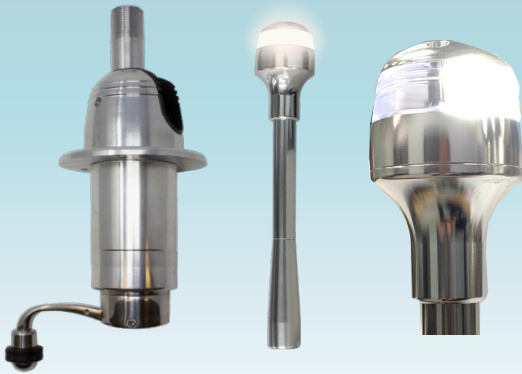




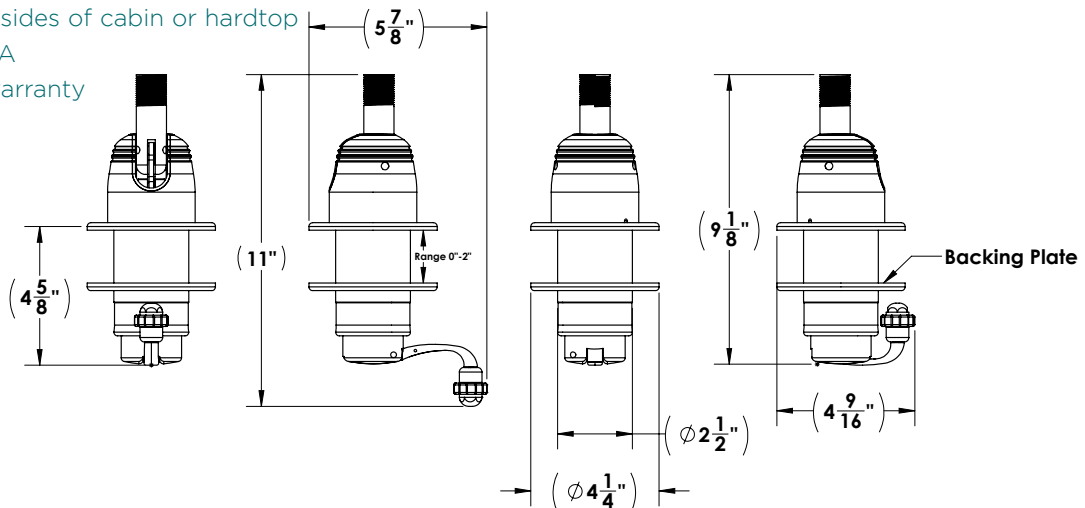
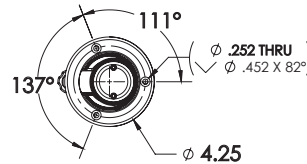
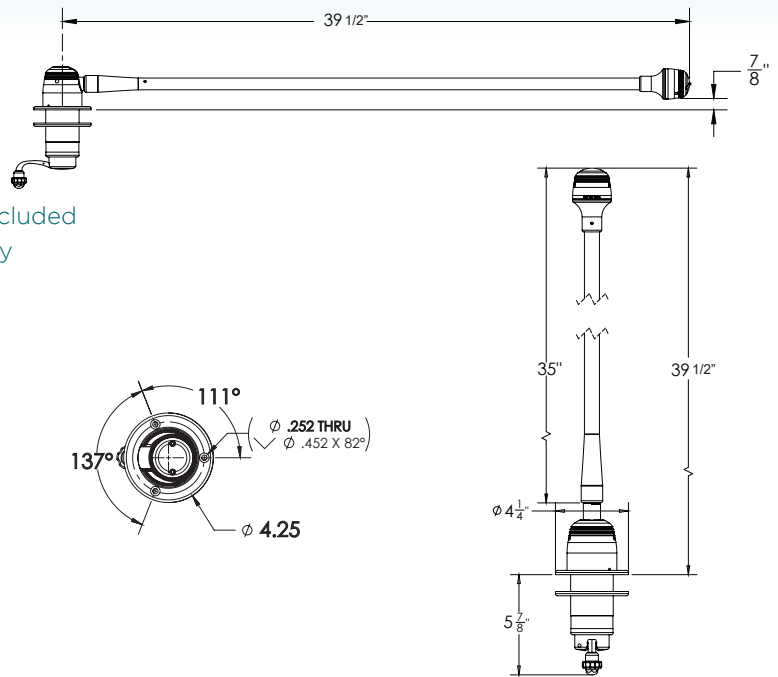
## GRAND SLAM 900 ANCHOR & STERN LIGHT



Created specifically for the safety and convenience of today's boater, TACO Marine's new GS-900-1 eliminates climbing on the boat gunnel to raise and lower a light. The GS-900-1 comes with a 32.75" long tube, which can easily be cut down to the installer's desired length. Its smooth operation, attractive machine-aluminum frame and cast-stainless-steel rotator make this item a must for any boater.

### FEATURES & BENEFITS

- All-inclusive kit
- Machined / Anodized aluminum body
- Light-brushed finish
- Polished Type-316L stainless-steel crank handle
- Folding crank handle locks flush into base
- USCG approved, 2-nm LED light, shaft and wiring included
- 32.75" aluminum light tube allows for modification by installer to exact height
- Threaded shaft for consistent lift and descent
- Delrin bearings for smooth operation
- Roller bearings in crank assembly
- Mounts to hardtops up to 2" thick
- Includes 4" x 1/4" round backing plate (hardware not included)
- Reliable long-life LEDs
- LED Light meets ABYC-USCG requirements for both sail and power boat designation 2nm
- 6-Watt Stern Light and 12-watt Anchor
- Low-draw, 0.6 amps per light
- Low-voltage 12-24VDC
- Designed to fit sides of cabin or hardtop
- Made in the USA
- 1-year limited warranty



PART NUMBER	DESCRIPTION	WEIGHT	UNIT	CoO	STD. PK.	UPC
GS-900-1	Grand Slam Anchor & Stern Light	21.5lbs	Each	USA	2	630972089682

