

GS-950 MOUNT INSTALLATION FOR MASTHEAD ANCHOR LIGHT

1. Use the drill template to mark and drill with a 1/4" bit the three bolt holes.
2. If your top requires spacers, trim the included vinyl spacers to the depth of your hardtop thickness. Insert the vinyl spacers into each bolt hole.
3. Place a bead of marine-grade sealant on the underside of the mounting plate. This helps prevent water intrusion.
4. Securely bolt the base to the mounting surface. Be careful not to deform the top.
5. Connect wire according to Figures on page 7 and 8.
6. Use a 7A fuse in the main +12 VDC power feed (not included).
7. Use a 3A fuse for the light (not included).
8. Ensure the Black wire has a good connection to battery ground.
9. Operate the unit in both directions using the momentary switch.
 - Horizontal adjustment is possible to 80° angle. See diagram A.
 - The GS-950 features two set screws – one to lock the light positioning in place, the other for adjustment.
10. Screw down the bottom of the light tube assembly to the mount.

NOTE: Before installing the LED Light Tube, apply a thin layer of marine grease, anti-seize or teflon tape to the threaded shaft.

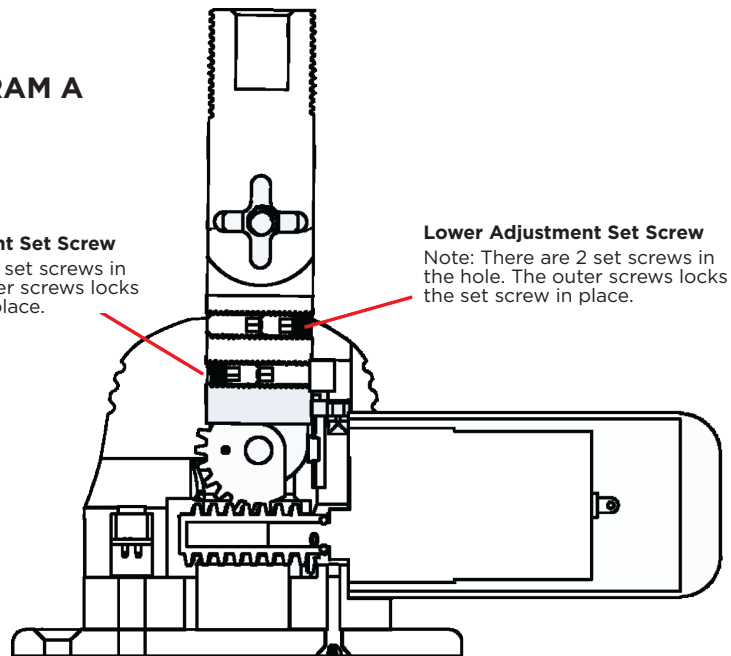
DIAGRAM A

Upper Adjustment Set Screw

Note: There are 2 set screws in the hole. The outer screws locks the set screw in place.

Lower Adjustment Set Screw

Note: There are 2 set screws in the hole. The outer screws locks the set screw in place.



Adjustments to the arm position need to be done slowly 1/4 turn at a time.

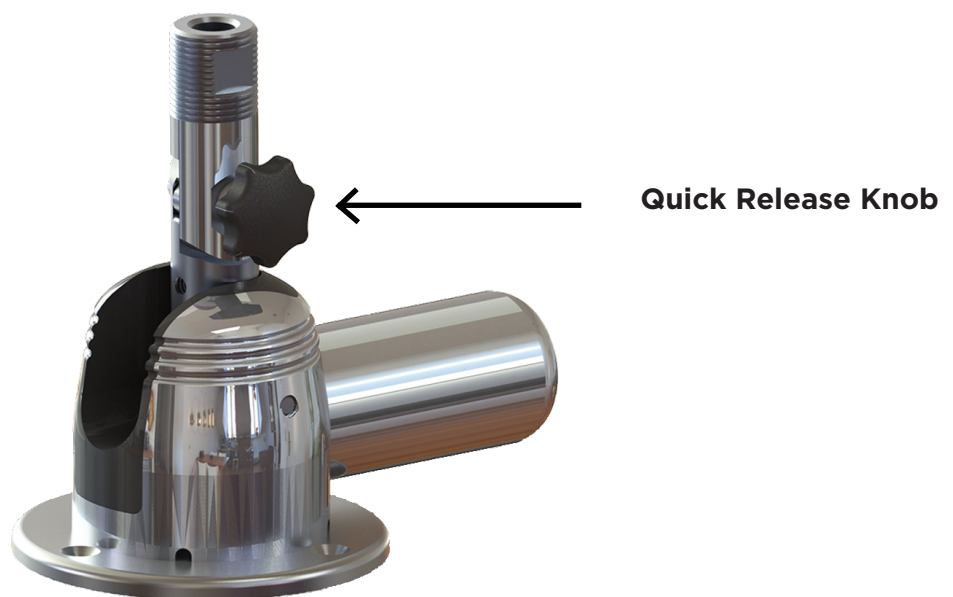
LIGHT

The light assembly is composed of two parts – one (1) Lamp Assembly and one (1) Stanchion.

1. Thread the LED light tube to the GS-850 mounting base.
Note: Apply a thin layer of marine-grade grease or anti-seize to the threads before installing.
2. Noting the sticker that reads “TO BOW” on the light, position the light properly.
3. Attach your 18-Gauge, 3-wire cable coming from the helm to the 18-Gauge, 3-wire lead out of the GS-950 stanchion/tube assembly refer to figures on page 8.
4. Connect your chosen switch (not included) per manufacturer’s recommendations.
5. Mount the switch to your chosen location at the helm.

EMERGENCY RELEASE OPERATION

The GS-850 and GS-950 feature a Quick Release Knob for emergency operation. Simply turn the knob counterclockwise to adjust the Antenna or Masthead Anchor Light. Once repositioning is complete, turn the knob clockwise to tighten. Repeat this process whenever manual override is necessary. **Note: do not completely unscrew the Quick Release Knob, as the nut may fall out. Loosen the Knob just enough to reposition the Antenna or Masthead Anchor Light, then tighten accordingly.**



NOTE:

For instructions and to replace the Grand Slam 950 Masthead Anchor Light, purchase a replacement [F38-9000BLY] at tacomarine.com.

How to use

When boating with the Grand Slam 850 or Grand Slam 950, easily adjust the top-mounted VHF Antennas or Masthead Anchor Light with the simple push of a button. Once either accessory is mounted to the top and wired into the control panel, lift or descend the accessories by pressing the up or down buttons. When either accessory has reached its full upright or down position, the motor will stop automatically.

How to clean

Always use a mild, non-abrasive soap and lots of fresh water. Thoroughly wash the aluminum with a soft towel or sponge utilizing lots of soap and water to remove all dried salt crystals and other contaminants. Rinse completely with direct water pressure.

Safe Cleaners

Mild dish washing liquid, specialty marine cleaners:

Sea Safe Boat Wash, Boat Wash Concentrate and Super Suds.

Safe marine lubricants:

CRC Corrosion Inhibitor, Corrosion Block and Get Some Extreme.

Harmful Cleaners

Bleach (Clorox, etc.) and mild abrasive cleaners:

Ajax, Comet, Soft Scrub, Rubbing Compounds, etc.

Strong cleaners:

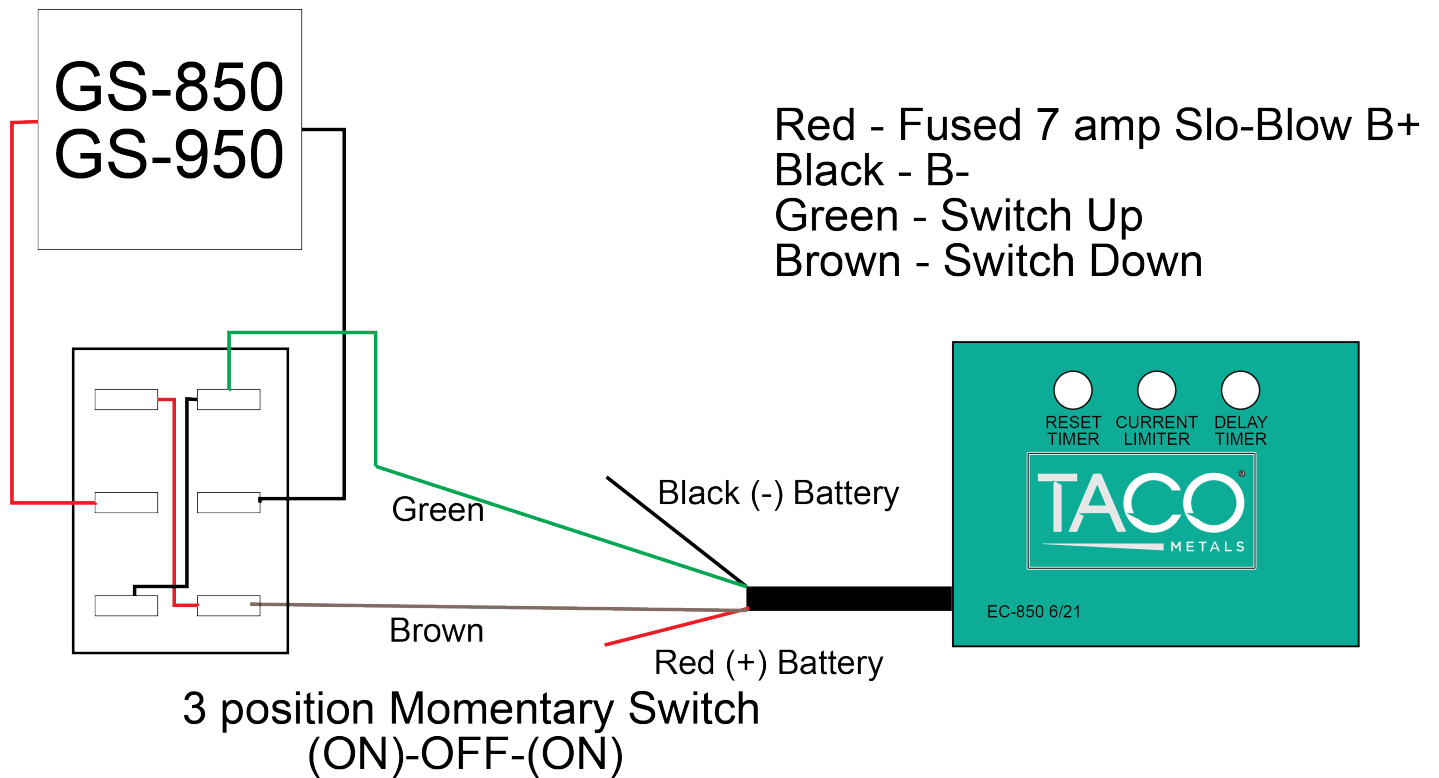
409, Engine Degreasers, etc.

Acids of any type:

Such as Muriatic, naval jelly or aluminum acid.

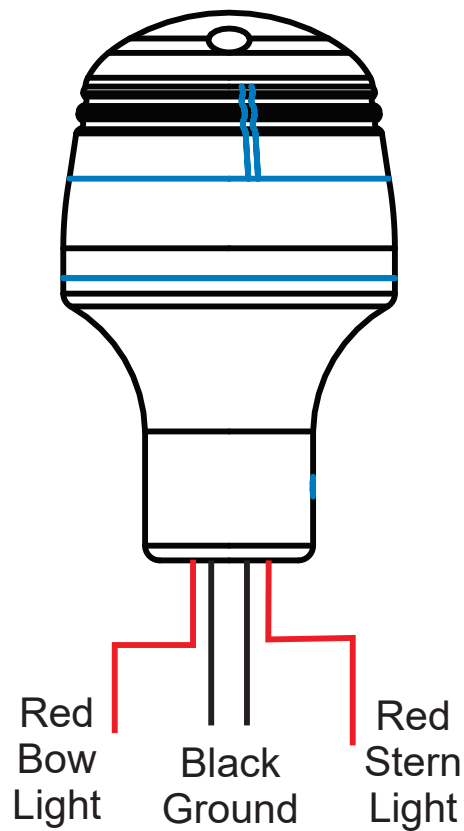
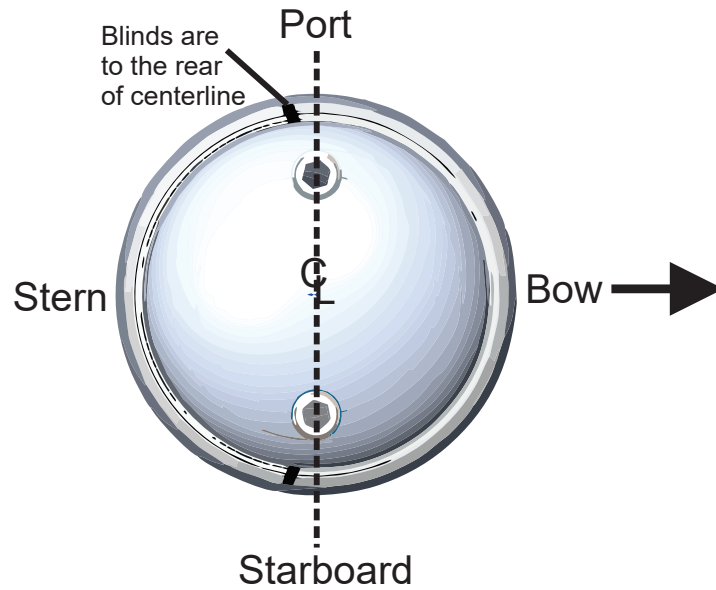
WIRING DIAGRAMS

GS-850/950 Controller Installation



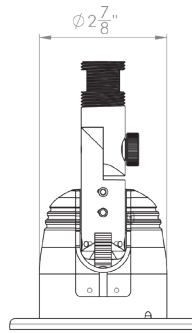
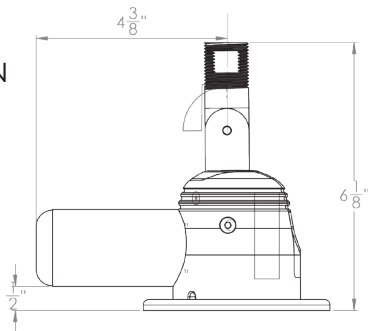
WIRING DIAGRAMS

MASTHEAD ANCHOR LIGHT

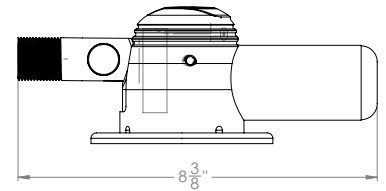
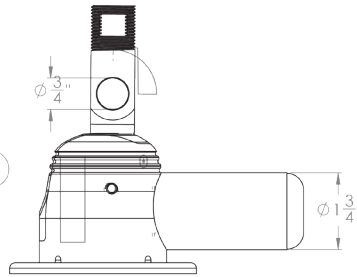
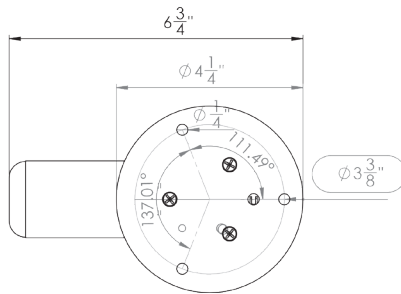
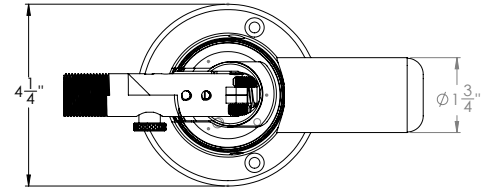


PRODUCT DIMENSIONS

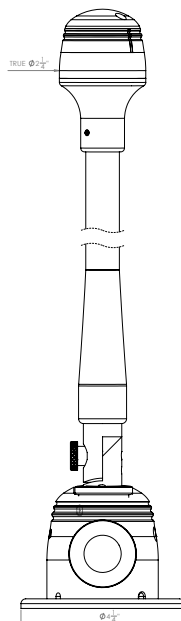
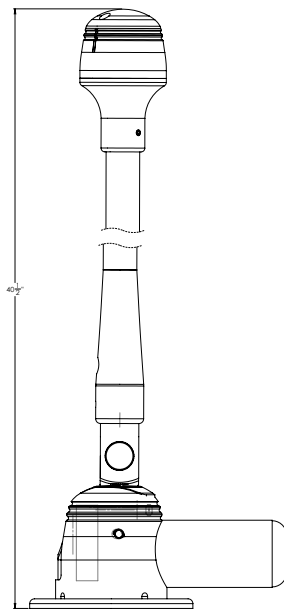
GS-850
UP POSITION



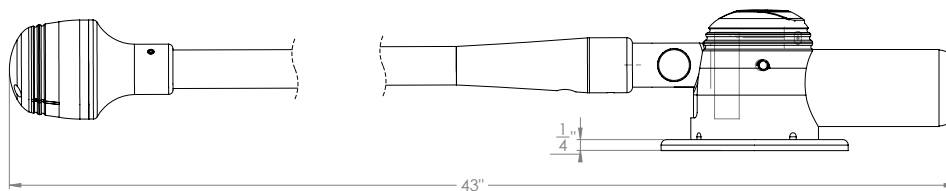
GS-850
DOWN POSITION



GS-950
UP POSITION

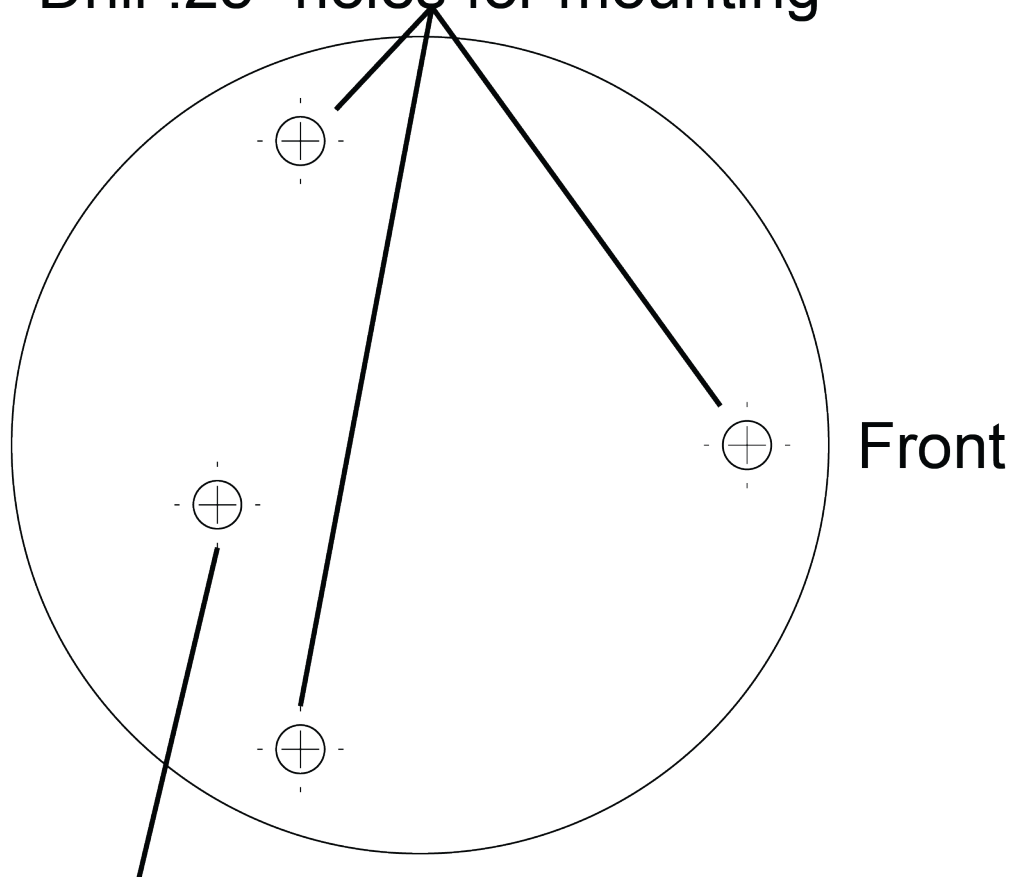


GS-950
DOWN POSITION



GS-850/GS-950 Drill Template

Drill .25" holes for mounting



Drill .25" hole for wire



Please print at 100 percent for accurate sizing. Slight scaling may still occur. Therefore, before drilling, it is recommended that all template dimensions be measured for accuracy.

Need Support?

Contact Us



support@tacomarine.com



<https://tacomarine.com/technical-support>



3020 North Commerce Parkway
Miramar, FL. 33025



@tacomarine



@taco_marine

TACO Marine®

TACO[®]

MARINE

INSTRUCT-GS-850/950 V31