



L10-1003-1

TACO
MARINE

INSTRUCTIONS

Neptune II Leaning Post

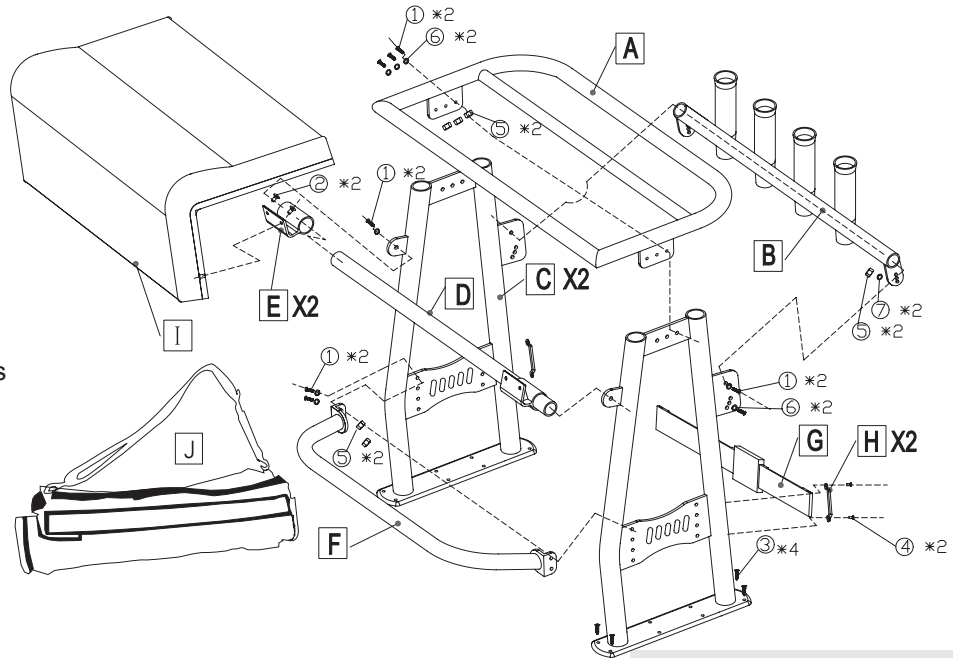
Thank you for purchasing a quality Taco Marine product. As a family-owned business since 1959, Taco Marine takes pride in offering the highest quality products with excellent customer service. We stand behind our products 100%. Please visit our website, TacoMarine.com, for more detailed information on a wide variety of Sport Fishing products.

Contents

Item	Quantity	Description
A	1	D-Ring
B	1	Rod Holder Rack
C	2	Side Frame
D	1	Crossbar
E	2	Hinge
F	4	Footrest
G	1	Cooler Strap
H	4	Eye Strap
I	1	Seat Cushion
J	1	Tackle Storage Bag (also sold separately)
1	16	Button Head Socket Cap Screw, 1/4" - 20 x 1"L
2	4	Flat Head Socket Cap Screw, 1/4" - 20 x 3/4"L
3	16	Oval Head Phillips Sheet Metal Screw, #14 x 1-1/4"L
4	4	Flat Head Phillips Sheet Machine Screw, #10 - 32 x 3/8"L
5	12	Nylon Nut, 1/4" - 20 5/16"H
6	16	Washer, .65"OD, .27"ID, .039"H
7	2	Spacer, 1/2"OD, 1/4"ID, 1/8"H
8	1	Hex Key, 5/32"

Assembly Instructions

- Place the side frames on the deck (or a flat place).
- Pre-assemble the cross bar, rod rack and D-ring using the screws, and/or washer, and/or locknut but don't lock it tight (pre-assemble only).
- Push down the side-frame keeping the 4 pads on the same level.
- Assemble the footrest and tighten securely, keeping the 2 sides parallel and the 4 pads in the same level.
- Tighten the rod-rack again checking that the 4 pads are at same level.
- Tighten the D-ring and make sure it seats properly on the 4 plastic caps.
- Assemble the hinge to the seat cushion. Screw the 4 flat head screws down evenly.
- Loosen the cross bar and install the hinges as per diagram. Re-install the cross bar and tighten to the side frame.
- Check the rod-rack and adjust the angle. There are 3 angles available with 3 position holes.
- Check for proper alignment of all components and tighten screws.
- Install the leaning post to the deck in the appropriate position and secure.
- Place the softpak storage bag within the D-ring, under the seat cushion. The key ring should be in the back. Secure in place with the Velcro flaps around the frame.
- Attach the cooler and eye strap on the rear legs.
- Assemble the backrest (optional item). When installing optional backrest, use additional liners provided and glue in place.



• It is very important that the leaning post is firmly attached to the deck to prevent injury. Consult your marine professional for recommendation on proper backing plates and thru-bolting for solid installation.
• Be sure not to drill through wiring, fuel tank or hoses.



OPTIONAL

Recommended if added securing is required

Tools/Supplies

• Phillips head screwdriver or a screw gun • Adjustable wrench • Wax and lead pencil • Drill • Jig Saw • Marine sealant • 24" x 54" marine lumber

1. Before assembling the Leaning Post, check the footprint dimensions and mark the approximate locations of the mounting holes with a wax pencil.
2. Check underneath the deck to make sure that any gas tanks, gas lines, electrical wires, etc. are far enough below the deck so they will not be damaged when drilling or through bolting the Leaning Post to the deck. (Caution, if you do not know what is directly underneath your mounting location ask your boat manufacturer, a qualified boat mechanic, or use a flashlight to view the area through an existing access hole or make a hole in an area that you can properly seal and cover afterwards.).
3. Assemble the Leaning Post according to the Assembly Instructions provided.
4. Using the footprint of your Leaning Post, make backing plates out of a piece of 1/2" marine lumber or 1/4" aluminum. Make sure you leave enough material for a cover plate (Step 14).
5. If the area underneath is acceptable, place the Leaning Post in the desired location. (About 12" from the console).
6. Make sure that your Leaning Post is straight and parallel with your console, centered positioning.
7. Mark the hole locations through the mounting holes in each mounting flange, making sure that the Leaning Post does not move.
8. Install a 3/16" drill bit into your drill and put a piece of tape on the drill bit 1" from the tip so you will know when to stop and do not drill too deep.
9. Drill the mounting holes.
10. Put the Leaning Post back in place to make sure that all the holes line up. Enlarge holes if necessary. Use marine sealant on bottom of mounting plates and fastener holes for a good seal.
11. If you do not have an access hatch to the underside of the deck you will have to cut an access hole between the two mounting locations on each side of the leaning post big enough so you can reach inside and install a backing plate and locknuts or T-nuts on the mounting screws. Make sure that the access hole is completely within the mounting feet of the leaning post so that you can seal and cover it up with a piece of Marine Lumber after the installation.
12. Put sealant on the threads of each of the 1/4" mounting bolts and insert them into the holes.
13. Install the backing plates and locknuts or T-nuts on the mounting bolts through the access holes and tighten them securely.
14. Using a piece of 24" x 54" marine lumber or 1/8" aluminum, cut the cover plate to fit within the footprint of your Leaning Post.
15. Drill clearance holes in the marine lumber or aluminum plate for the mounting screws.
16. Using the clearance holes mark the deck and drill pilot holes so the screws can thread into the deck.
17. Place sealant around each of the access holes and line up the holes in the cover plate with the pilot holes, put sealant on the screw threads and install the screw to secure the cover plate to the deck.
18. Install the optional cooler and adjust the straps.