



Installation and Care Instructions



**CARBON FIBER
OUTRIGGERS**

INTRODUCTION

Thank you for purchasing Taco Marine Carbon Fiber Telescoping Outrigger Poles. The Tele-Outriggers and Center Rigger Poles will offer years of trouble-free performance with proper use, care and maintenance. Carbon Fiber is light weight, very stiff, extremely durable and highly resistant to corrosion. By understanding its composite structure it allows you to provide the necessary care required in order to get the best performance out of your Taco Marine Carbon Fiber Outrigger Poles.

WARNING



- High speed cruising in rough seas is not recommended.
- High speed cruising with the outriggers fully extended can cause possible damage to the outrigger sections and internal components of the Carbon Fiber construction.
- Retract your Outriggers before operating under those conditions.
- Excessive release clip tension or faulty clips can cause unnecessary loads on outriggers and mounts. Adjust and check clips before each use.
- Do not dent any of the tubes.
- Do not tamper with the swivel rings as they are preset during assembly.

Carbon Fiber Poles are good conductors of electricity. Avoid use of the poles during lightning storms as a safety measure.

OPERATION TIPS

Whenever possible, extend Outriggers while in mount or free-standing position. Gently pull to the end of each section keeping the swivel rollers lined up in the down position. Once in position, rotate until spring-loaded locking buttons engage.

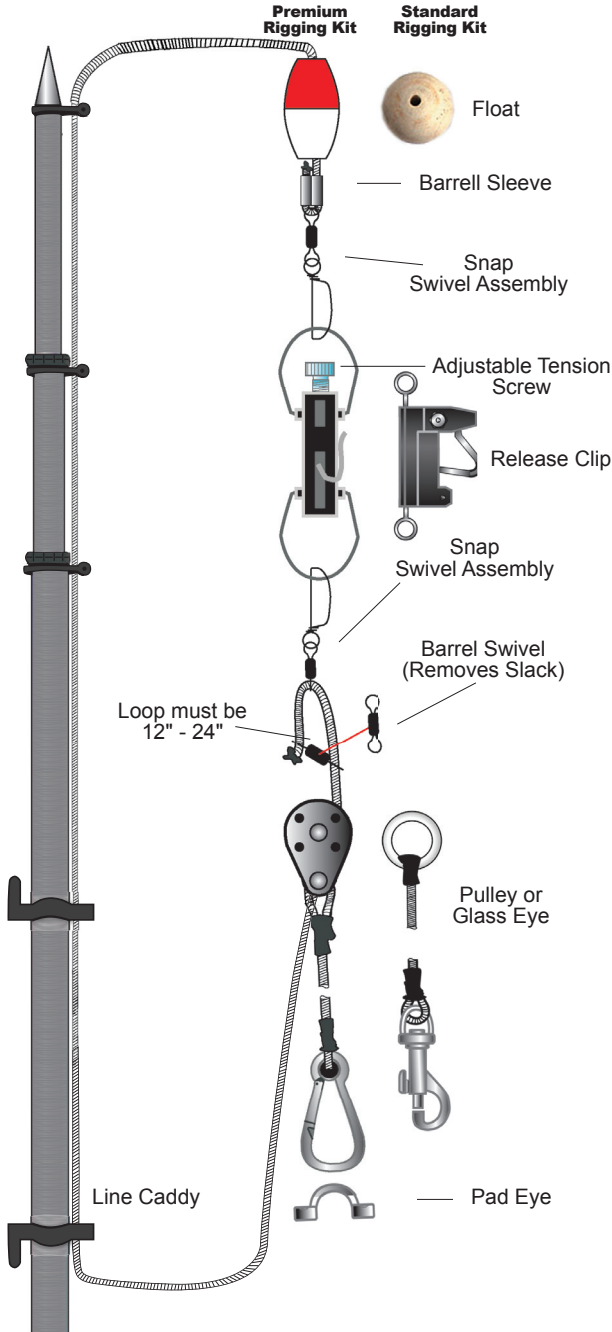
MAINTENANCE

- 1) **The poles should not be kept on the boat all year long** in their extended position unless the boat is used very frequently. As with many products black objects are the best absorbers of IR radiation heat, therefore long term exposure to direct sun light on a daily basis is not ideal for Carbon Fiber Outrigger Poles. As an added layer of protection our Carbon Fiber Poles are painted with Clear Awl Grip for added UV protection and direct sunlight exposure.
- 2) **High speed cruising** in rough seas is not recommended with the poles in the fully extended open position as this can cause excessive stress on the poles and internal components.
- 3) **Carbon Fiber Poles should be retracted** before operating the boat in long destination runs or under rough sea conditions.
- 4) **Outrigger rigging lines should not constantly have excessive tension** with unnecessary loads of pressure on the outrigger poles and mounts. Adjust and check the tension on your outrigger lines and clips before each use for proper settings.
- 5) **Avoid any heavy contact that can dent** any of the poles as this can cause a weak point in the Carbon Fiber structure of the pole.
- 6) **Do not tamper with the stainless collars** and the swivel roller mechanism. The collars are intended to keep each section of the poles in place and they thread in by hand tightening. Always make sure if you remove a stainless collar that there is no cross threading when it is re-attached.
- 7) **Whenever possible, extend the Carbon Fiber Outrigger Poles** while inside mount or free-standing. Gently extend each section to the end of each pole until the internal locking pin pops out. This will serve as an indicator that the pole sections are properly locked into place.
- 8) **Washing Your Carbon Fiber Outrigger Poles** - In the fully extended position with fresh water and marine grade boat soap that dissolves salt deposits, spray or apply on the poles directly after each use, then rinse off with fresh water and allow to dry before storing the poles. Salt solvent solutions such as Salt Terminator, Salt Away and Salt Off are also recommended as they also leave a protective PTEF (Teflon) coating to help repel future salt and dirt grime from building up again.

MAINTENANCE

- 9) **Lubricating Your Outrigger Poles** - For extra protection spray all exterior stainless and brass components and pop out pins in each pole section with a quality marine grade lubricant that does not wash off with rainwater then lightly wipe down with soft cloth. Lubricants such as Corrosion Inhibitor by CRC are highly recommended. (Silicon based lubricants are not recommended).
- 10) **Storage of Poles** – Taco Marine Carbon Fiber Poles all come supplied with a two pocket storage bag in their box. This bag is made of marine grade mesh and non-corrosive zipper. The outrigger storage bag is long enough to fit both outrigger poles one in each pocket of the bag. The same two pocket bag will also be supplied for the single center rigger pole as well.
- 11) **Outrigger Line Storage** - If the boat will not be used for an extended period of time or put in storage for the winter season, it is recommended that the poles be removed and stored away in their retracted position. Taco Carbon Fiber Poles are supplied with a pair of line caddies on each pole for storing the excess outrigger line. The line caddies are located on the bottom section of each pole and can be distanced apart by sliding them up or down the first section of the outrigger pole. Once you set the desired distance tighten down the line caddy's and begin to wrap the outrigger lines around each hook end. You should end with a shock cord pulley in your hand which can stretch and connect to either end of the line caddy.
- 12) **Winterizing** – If the boat is kept outdoors in areas of freezing temperature during the winter, it is recommended that the poles are retracted and removed from the boat while boat is not in use. If you are using Taco mounts and are going to remove the outrigger poles for the winter, it is recommended that the tubes on the mounts be left at a slightly downward position to prevent winter rain from building up inside the tubes and turning to ice which can expand the diameter of the poles and damage or crack them.

PREMIUM & STANDARD RIGGING KIT



The pad eye that the bungee hooks onto is usually installed on the gunwale about 6" toward the stern, between the outrigger holder and the rod holder.

On the T-top, the pad eye is usually hooked onto the outer t-top ring so it can be easily reached.

Taco Marine Grand Slam 380 Mounts



- Fully adjustable from under the top
- For use on both soft and hard tops
- Fold-up crank handle for maximum clearance

Taco Marine Grand Slam 380XL Mounts



- Fully adjustable from under the top
- For use on both soft and hard tops
- Fold-up crank handle for maximum clearance
- Increased body length for thicker hard tops

Taco Marine Grand Slam 280 Mounts



- 12 locking positions
- Rotator handle positioning installs to avoid obstruction
- Rotate outrigger position from under the top
- Lay down arm for bridges and trailering

Taco Marine Premium Rigging Kit

- Complete Rigging Kit: Single Roller Pulley Shock Cord w/Stainless Steel Snap Hook and Eye Insert, Black Dacron Rigging Cord, Adjustable Tension Release Clip, Red & White Balsa Wood Stop, Pad Eye w/Screws, Double Sleeve Crimp, Swivel, Snap Swivel, Quick Dry Mesh Bag
- Rigs up to 22' outriggers
- Sold as Each



Taco Marine Premium Double Rigging Kit

- Complete Rigging Kit: Double Roller Pulley Shock Cord w/Stainless Steel Snap Hook and Eye Insert, Black Dacron Rigging Cord, Adjustable Tension Release Clip, Red & White Balsa Wood Stop, Pad Eye w/Screws, Double Sleeve Crimp, Swivel, Snap Swivel, Quick Dry Mesh Bag
- Rigs up to 22' outriggers
- Sold as Each



Taco Marine Center Rigging Kit

- Single Roller Pulley Shock Cord w/ Stainless Steel Snap Hook and Eye Insert, Black Dacron Rigging Cord, Adjustable Tension Release Clip, Red & White Balsa Wood Stop, Pad Eye w/Screws, Double Sleeve Crimp, Swivel, Snap Swivel, Quick Dry Mesh Bag
- Single kit rigs up to 25' center rigger
- Sold as Each



Taco Marine Carbon Fiber Outrigger Line Caddy

- Eliminate tangling
- Adjustable brass rollers



Taco Marine Outrigger Carry Bag

- 74" x 12" Black Nylon mesh
- Protects Outrigger Poles
- Dual interior pocket to prevent Outriggers from scratching each other



TACO[®]

M A R I N E

TacoMarine.com

Tech Support: 800-653-8567 • info@tacomarine.com

INSTRUC-CARBONFIBER OUTRIGGERS



For a complete selection of Taco Marine products or to find a Dealer in your area, please visit

T a c o M a r i n e . c o m

Customer Service 800.653.8568

©2016 Taco Metals, Inc.