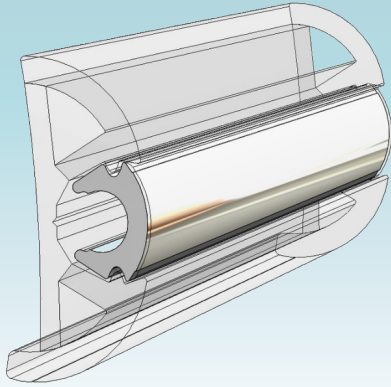




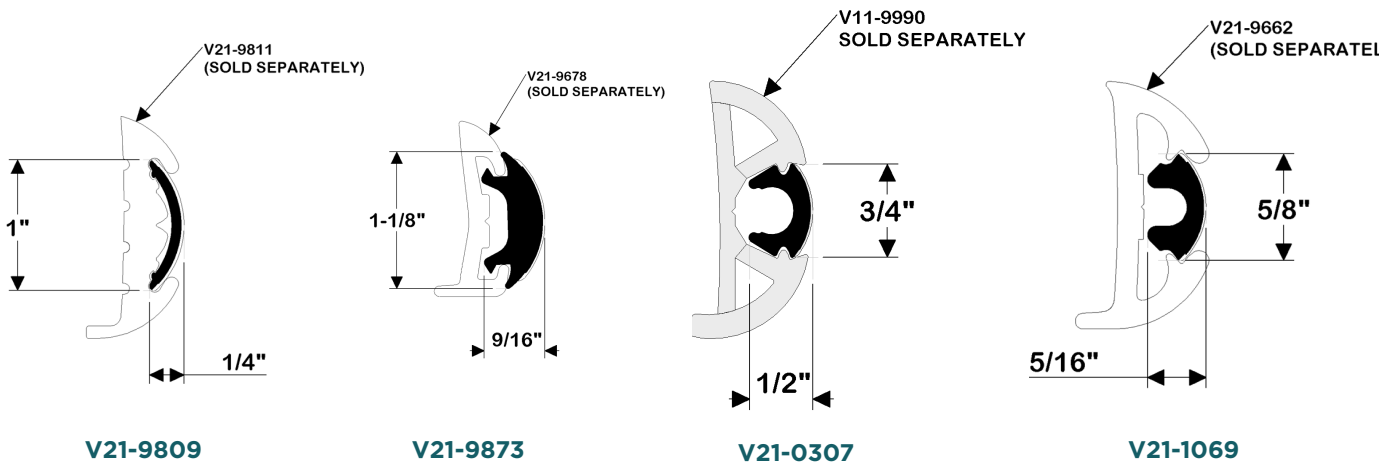
## FLEX CHROME INSERTS



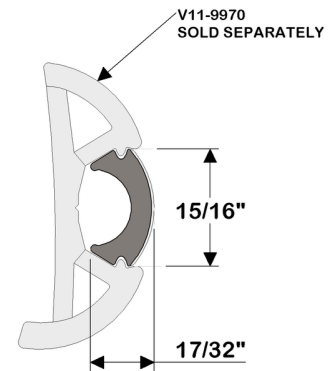
TACO Marine's new "Flex Chrome" Rub Rail insert provides the beauty of Stainless Steel without the high cost and labor. Developed originally for OEM automotive exterior trim applications, Flex Chrome by TACO Marine has passed extensive automotive testing for heat/humidity freeze cycle, salt spray, shock and accelerated weathering.

### FEATURES & BENEFITS

- Denser substrates provide more robust protection
- Authentic "chrome" finish
- Durable materials will provide years of maintenance-free service
- Patent number US6349662



PART #	LENGTH	HEIGHT	WIDTH	COLOR/FINISH
V12-0307CP200	200'	3/4"	1/2"	Chrome
V12-1069CP165	165'	5/8"	5/16"	Chrome
V12-9809CP70	70'	1"	1/4"	Chrome
V12-9809CP210	210'	1"	1/4"	Chrome
V12-9873CP50	50'	1-1/8"	5/8"	Chrome
V12-9980CP200	200'	15/16"	17/32"	Chrome



w tacomarine.com | ph 800.653.8568 | e info@tacomarine.com

