



## Allentare Diesel Tachometer (Generator Sender or Alternator) 85mm

Tech Support 1-800-265-1818  
http://usa.vdo.com

Instruction Sheet 2910000084000

Rev 08-2015

### Gauge Installation:

1. Select the desired mounting location of the instrument.
2. Depending on your mounting configuration, it might be necessary to program the gauge before installation.
3. Mount the gauge and secure with the included hardware. Tighten mounting nuts using 7mm or 9/32 wrench to 7inch lbs (finger tight plus ¼ turn).

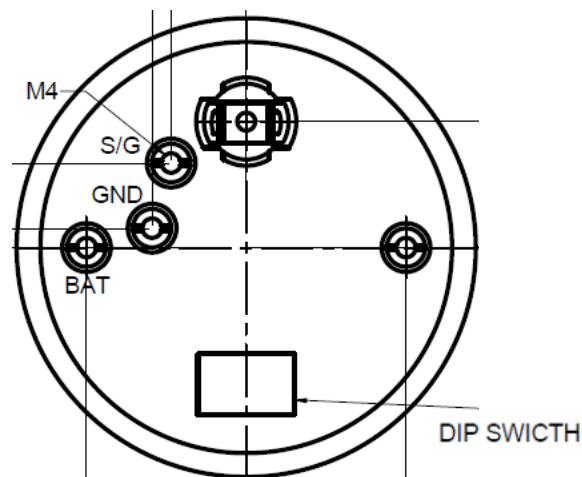
### Wiring the Gauge:

1. Route wires from the instrument to
  - (a) Battery (+) switched power after the fuse box or user supplied in line fuse (5 amp, fast blow) to terminal "BAT"
  - (b) Light switch after the fuse box, or user supplied in line fuse (1 amp) and switch to light bulbs
  - (c) Ground location not shared with other electronics (such as battery negative terminal or direct to chassis) to terminal "GND" and light bulbs.
  - (d) Route the signal wire from the gauge (S/G) to the signal wire source location. This will be where the tachometer receives its signal from.

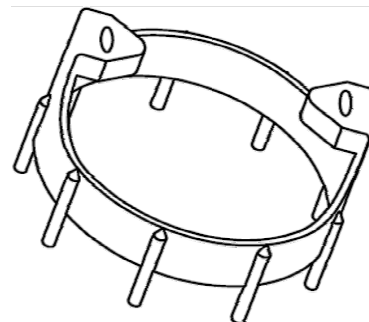
Terminal	Description
BAT	Switched power (12v)
S/G	Tachometer signal input
GND	Ground

Read these instructions thoroughly before installation. Do not deviate from assembly or wiring diagram. Always disconnect battery ground before making any electrical connections.

Parts List		
Item	Description	Qty
1	85mm Gauge	1
2	Clamp and hardware	1
3	Instruction Sheet	1



Reference A (drawing not to scale)



Merchandise warranted against defects in factory workmanship and materials for a period of 24 months after purchase. This warranty applies to the first retail purchaser and covers only those products exposed to normal use or service. Provisions of this warranty shall not apply to a VDO product used for a purpose for which it is not designed, or which has been altered in any way that would be detrimental to the performance or life of the products, or misapplication, misuse, negligence or accident. On any VDO part or VDO product found to be defective after examination by manufacturer, manufacturer will only repair or replace the merchandise through the original selling dealer. Manufacturer assumes no responsibility for diagnosis, removal and/or installation labor, loss of vehicle use, loss of time, inconvenience or any other consequential expenses. The warranties herein are in lieu of any other expressed or implied warranties, including any implied warranty or merchantability of fitness, and any other obligation on the part of manufacturer, or selling dealer.

# Allentare Diesel Tachometer (Generator Sender or Alternator) 85mm

Tech Support 1-800-265-1818  
<http://usa.vdo.com>

Instruction Sheet 2910000084000

Rev 08-2015

## Programming the gauge:

The picture below shows the settings for the dip switches on/off

Dip switches located on back of gauge

1	2	3	4	5	6
On	On	On	On	On	On
Off	Off	Off	Off	Off	Off

### From alternator signals at the "W" terminal

4 poles	#1 on, all others off
6 poles	#2 on, all others off
8 poles	#3 on, all others off
10 poles	#4 on, all others off
12 poles	#5 on, all others off

### From pulse generator signals

#### 4 Pulse Sender

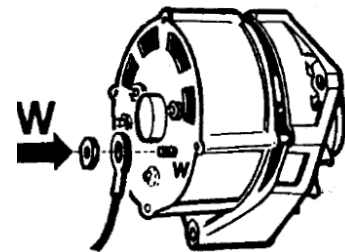
.5:1 Ratio	#1 on, all others off
1:1 Ratio	#2 on, all others off
1:2 Ratio	#3 on, all others off

#### 8 Pulse Sender

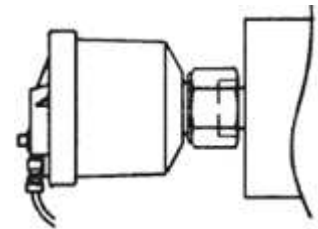
1:2 Ratio	#4 on, all others off
-----------	-----------------------

#### 16 Pulse Sender

1:2 Ratio	#5 on, all others off
-----------	-----------------------



Alternator input



Pulse generator driven by camshaft