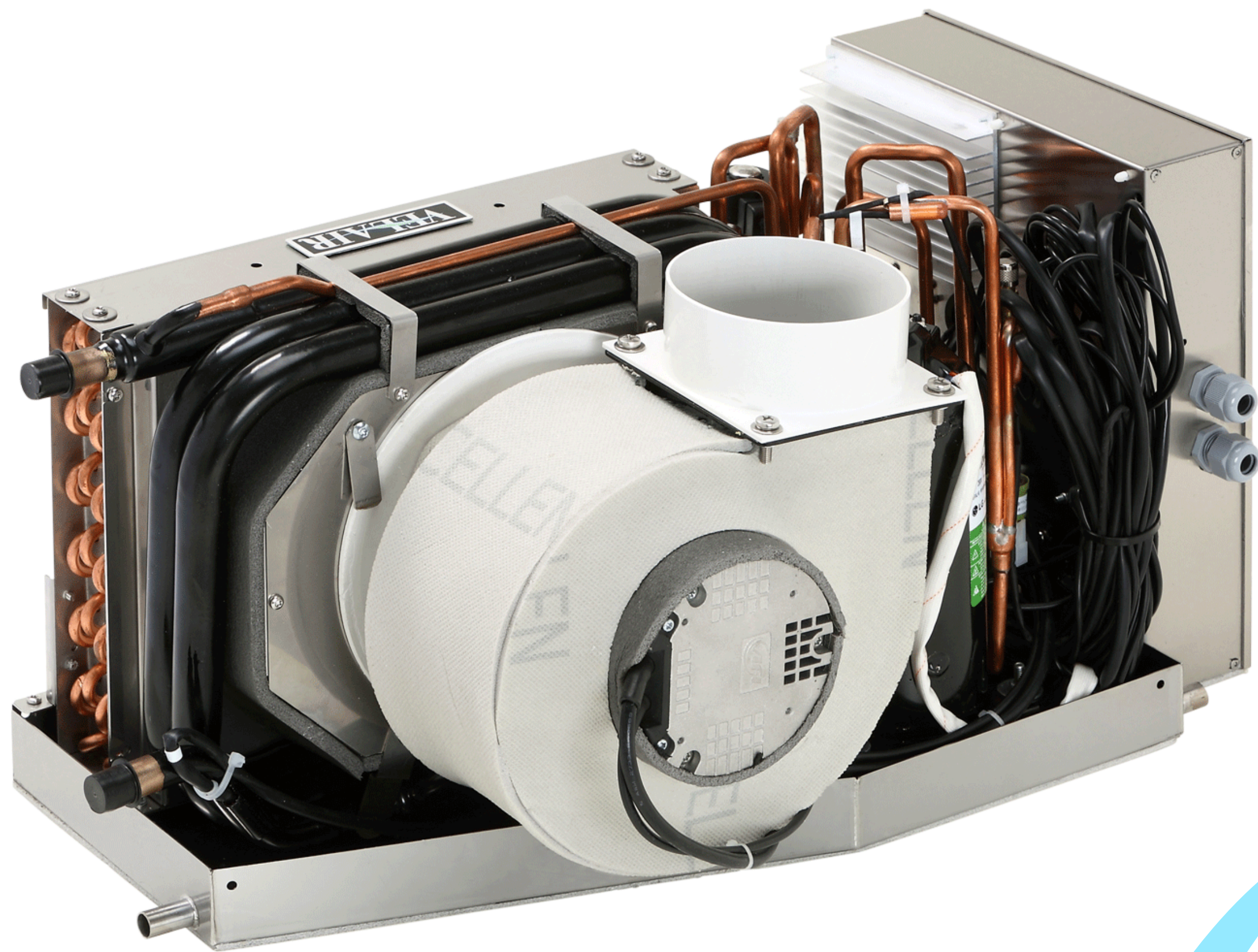


VELAIR GENERATION II

SMART UNIT

AIR CONDITIONER FOR MARINE APPLICATIONS



- Self contained, drop-in replacement unit
- Variable Speed Technology (VSD)
- No current peaks at start-up
- Heat pump reverse cycle option

- Reduction of electric consumption
- Full Wi-Fi compatibility
- Removable electric box for compact applications

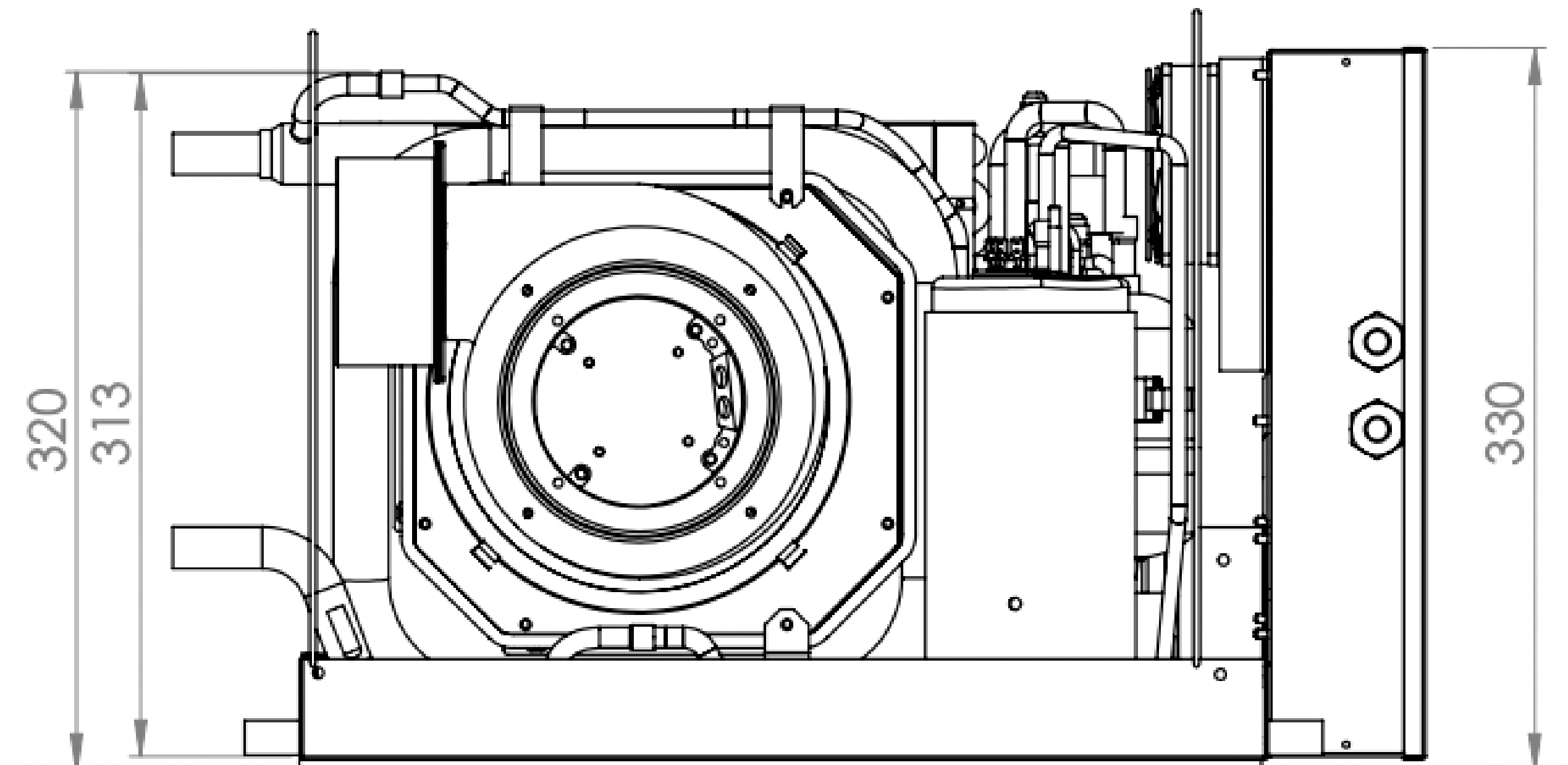
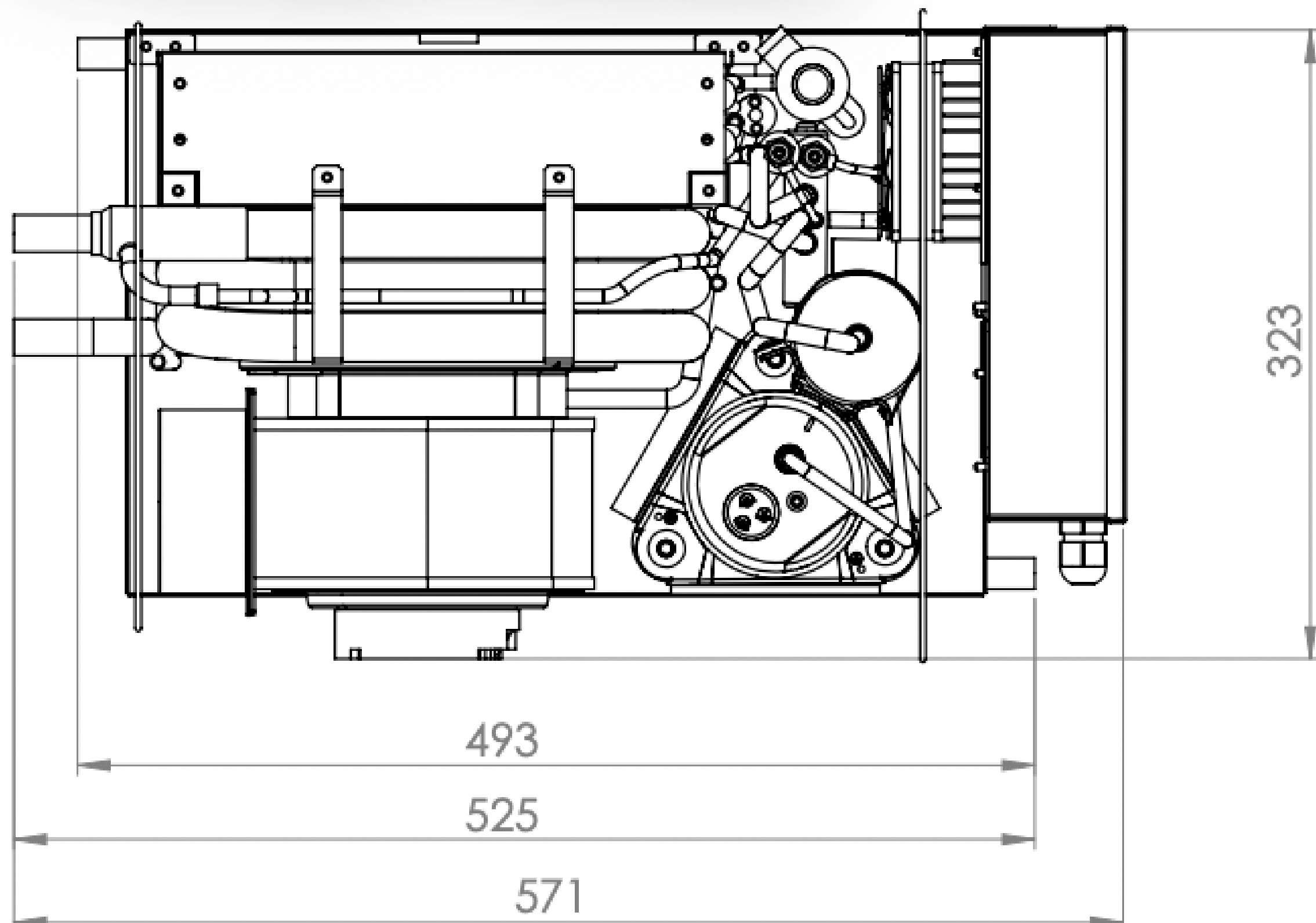


Velair i10 VSD SMART Self-contained-VSD air conditioner uses the latest and most innovative technology to deliver powerful air conditioning performance. It features a compressor with a brushless DC motor, an inverter that constantly controls speed and delivered cooling power (Variable Speed Drive), reverse blade brushless fan; electronic expansion valve; and R32 refrigerant.



SMART UNIT

AIR CONDITIONER FOR MARINE APPLICATIONS



	COMPACT i10 VSD SMART	COMPACT i16 VSD SMART	COMPACT i21 VSD
VOLTAGE/PHASE/CYCLE	1 PH 230V - 50/60 HZ; 1 PH 150V - 50/60 HZ	1 PH 230V - 50/60 HZ; 1 PH 150V - 50/60 HZ	1 PH 230V - 50/60 HZ
COOLING CAPACITY	4.000 - 10.000 BTU/H	6.000 - 16.000 BTU/H	7.000 - 21.000 BTU/H
MAXIMUM INPUT POWER COOLING	2.9 A @230V; 6.0 A @115V	4.1 A @ 230V; 8.5 A @115V	6.1A @230V; 12.2 A @115V
PROTECTION	10 A (230/115V)	10 A @230V; 16 A @115V	10 A @230V; 16 A @115V
WIRE SIZE (MINIMUM)	2.5 MM2 (230V); 4 MM2 (115V);	2.5 MM2 (230V); 4 MM2 (115V);	4 MM2 (230V); 6 MM2 (115V);
MAXIMUM AIR FLOW	400 M3/H	550 M3/H	800 M3/H
MIN. OPENING FOR RETURN AIR GRILL	400 CM2	600 CM2	800 CM2
MIN. OPENING FOR SUPPLY AIR GRILL	250 CM2	300 CM2	400 CM2
MIN. SEAWATER FLOW	12 L/MIN	17 L/MIN	20 L/MIN
DIMENSIONS LxHxP (WITH ELECTRICAL BOX)	MM: 571 x 320 x 323 IN: 22.5 x 12.6 x 12.7	MM: 650 x 330 x 355 IN: 25.6 x 13 x 14	MM: 653 x 457 x 322 IN: 25.7 x 18 x 12.7
WEIGHT	55.1 LBS 25 KG	61.7 LBS 28 KG	88.2 LBS 40 KG