

J1939 Gateway

The LinkUp J1939 will bridge all your CAN engine data, transmitted on the CAN-J1939-Bus, to the NMEA2000® standard, making all the engine and diagnostic information available for any NMEA 2000-capable display.



FACTS AND BENEFITS

- ▶ **J1939 TO NMEA 2000®** gateway to bring engine data to your boat network
- ▶ Delivers engine diagnostic to your MFD or to your smartphone in conjunction with a Veratron GO device
- ▶ Galvanic isolation between J1939 and NMEA 2000® networks
- ▶ Optional Y-shaped adapter cables to interface specific engines

ADAPTER CABLES

Volvo Penta	B00102701
Yanmar	B00102801

SUPPORTED DATA

Engine Speed

Engine Hours

Engine Load

Engine Oil Temp

Engine Oil Press

Coolant Temp

Coolant Press

Boost Press

Engine Rated Speed

VIN

SW ID

Percent Torque

Transmission Oil Press

Transmission Oil Temp

Exhaust Temp

Fuel Level

Fuel Press

Fuel Rate

Inst Fuel Economy

Alternator Current

Alternator Potential

Battery Potential

Transmission Gear

SUPPORTED ALARMS

Low Fuel Press

Water In Fuel

Low Engine Oil Level

Low Engine Oil Press

High Boost Press

High Coolant Temp

Low Coolant Level

Low Battery Voltage

Engine Overspeed

High Gear Oil Temp

Low Gear Oil Press

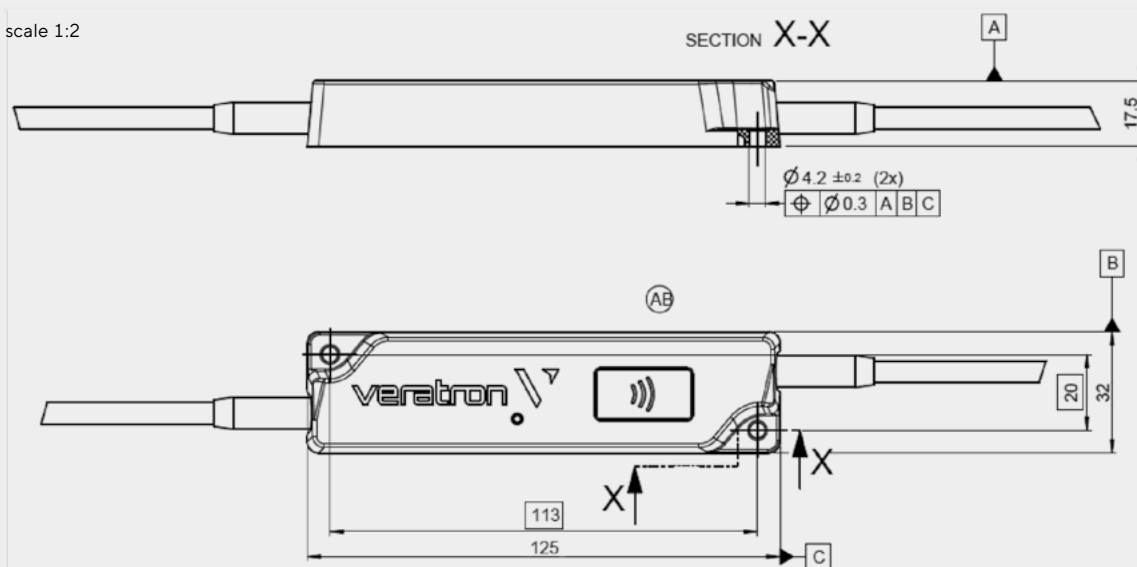
Low Oil Level

High Oil Temp

Lamps' Status

DIMENSIONS

Illustration in scale 1:2



THE LINKUP SERIES

LinkUp Resistive

B00042201

LinkUp 2-in-1

B00070501

LinkUp Pyrometer

B00042301

LinkUp J1939

B00042401

LinkUp IBS 12V and 24V

B00042501-02 / B00070401

**OUTDOOR INSTRUMENTATION
ENGINEERED IN SWITZERLAND**



Veratron AG / Industriestrasse 18 / 9464 Rüthi / Switzerland
T +41 71 7679 111 / info@veratron.com / veratron.com

The information provided in this brochure contains only general descriptions or performance characteristics, which do not always apply as described in case of actual use or which may change as a result of further development of the products. This information is merely a technical description of the product. It is not meant or intended to be a special guarantee for a particular quality or particular durability. An obligation to provide the respective characteristics shall only exist if expressly agreed in the terms of contract. We reserve the right to make changes in availability as well as technical changes without prior notice.

Veratron AG / English © 2021