

# Glazing systems

## Escape and ventilation hatches

### Type PLANUS (AII)

#### *Stylish budget model*

These hatches have a satin sheen anodized aluminum frame with a 3" (75 mm) corner radius and a 3/8" (10 mm) 'dark smoke' colored acrylic lid. A friction hinge allows the hatch to remain open at any angle up to 180°. Type PLANUS is suitable for appliance location area AII.



**PLA**



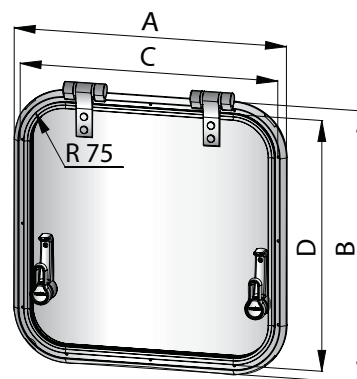
Maximum height (incl. dogs)

#### Escape hatches

Type	External dimensions A x B inches (mm)	Cut-out dimensions C x D inches (mm)	Number of handles
PLA50L	20 <sup>1</sup> / <sub>2</sub> x 20 <sup>1</sup> / <sub>2</sub> (521 x 521)	18 <sup>9</sup> / <sub>16</sub> x 18 <sup>9</sup> / <sub>16</sub> (471 x 471)	2
PLA45L	18 <sup>11</sup> / <sub>16</sub> x 18 <sup>11</sup> / <sub>16</sub> (474 x 474)	16 <sup>11</sup> / <sub>16</sub> x 16 <sup>11</sup> / <sub>16</sub> (424 x 424)	2

#### Deck hatches

Type	External dimensions A x B inches (mm)	Cut-out dimensions C x D inches (mm)	Number of handles
PLA40L	16 <sup>11</sup> / <sub>16</sub> x 16 <sup>11</sup> / <sub>16</sub> (424 x 424)	14 <sup>3</sup> / <sub>4</sub> x 14 <sup>3</sup> / <sub>4</sub> (374 x 374)	2
PLA32L	18 <sup>11</sup> / <sub>16</sub> x 13 <sup>9</sup> / <sub>16</sub> (474 x 344)	16 <sup>11</sup> / <sub>16</sub> x 11 <sup>9</sup> / <sub>16</sub> (424 x 294)	2



#### Ventilation hatches

Type	External dimensions A x B inches (mm)	Cut-out dimensions C x D inches (mm)	Number of handles
PLA34L	15 <sup>3</sup> / <sub>8</sub> x 10 <sup>1</sup> / <sub>4</sub> (390 x 260)	13 <sup>3</sup> / <sub>8</sub> x 8 <sup>1</sup> / <sub>4</sub> (340 x 210)	1
PLA30L	13 <sup>3</sup> / <sub>4</sub> x 11 (350 x 280)	8 <sup>1</sup> / <sub>4</sub> x 9 <sup>1</sup> / <sub>16</sub> (300 x 230)	1
PLA23L	11 x 11 (280 x 280)	9 <sup>1</sup> / <sub>16</sub> x 9 <sup>1</sup> / <sub>16</sub> (230 x 230)	1





# Escape and ventilation hatches

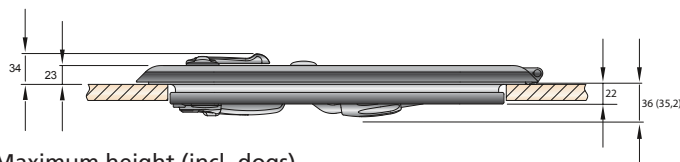
## Type ALTUS (AII)

### Best midrange hatch in the business

ALTUS is made of a sturdy aluminium profile (height  $\frac{13}{16}$ " (21 mm)) with a satin sheen anodised frame and is suitable for design category A and appliance location area II. The acrylic has a thickness of  $\frac{3}{8}$ " (10 mm) and is 'dark smoke' coloured. These hatches come with adjusters which are stylish and easy to operate, allowing the lid to be held open at almost any angle up to 90°. Type ALTUS can be fitted on deck and opened from the inside or outside. It has a ventilation position and can be locked completely watertight.



**ALT**



Maximum height (incl. dogs)

### Escape hatches

Type	External dimensions A x B inches (mm)	Cut-out dimensions C x D inches (mm)	Model	Number of handles
ALT6363SL	27 <sup>5</sup> / <sub>8</sub> x 27 <sup>5</sup> / <sub>8</sub> (701 x 701)	24 <sup>11</sup> / <sub>16</sub> x 24 <sup>11</sup> / <sub>16</sub> (627 x 627)	1	2
ALT5151SL	23 <sup>1</sup> / <sub>16</sub> x 23 <sup>1</sup> / <sub>16</sub> (581 x 581)	19 <sup>15</sup> / <sub>16</sub> x 19 <sup>15</sup> / <sub>16</sub> (507 x 507)	1	2
ALT4747SL	21 <sup>7</sup> / <sub>16</sub> x 21 <sup>7</sup> / <sub>16</sub> (544 x 544)	18 <sup>1</sup> / <sub>2</sub> x 18 <sup>1</sup> / <sub>2</sub> (470 x 470)	1	2
ALTD520SL	23 <sup>5</sup> / <sub>16</sub> x 20 <sup>5</sup> / <sub>8</sub> (592 x 524)	20 <sup>3</sup> / <sub>8</sub> x 17 <sup>11</sup> / <sub>16</sub> (518 x 450)	2	2
ALTR520SL	23 <sup>5</sup> / <sub>16</sub> (592)	20 <sup>3</sup> / <sub>8</sub> (518)	3	2

### Deck hatches

Type	External dimensions A x B inches (mm)	Cut-out dimensions C x D inches (mm)	Model	Number of handles
ALT4242SL	19 <sup>1</sup> / <sub>2</sub> x 19 <sup>1</sup> / <sub>2</sub> (495 x 495)	16 <sup>9</sup> / <sub>16</sub> x 16 <sup>9</sup> / <sub>16</sub> (421 x 421)	1	2
ALT5038SL	22 <sup>14</sup> / <sub>16</sub> x 17 <sup>3</sup> / <sub>7</sub> (581 x 451)	9 <sup>15</sup> / <sub>16</sub> x 14 <sup>13</sup> / <sub>16</sub> (507 x 377)	1	2
ALT4633SL	20 <sup>14</sup> / <sub>16</sub> x 15 <sup>13</sup> / <sub>16</sub> (531 x 401)	18 x 12 <sup>7</sup> / <sub>8</sub> (457 x 327)	1	2
ALTR420SL	19 <sup>5</sup> / <sub>16</sub> (491)	16 <sup>7</sup> / <sub>16</sub> (417)	3	2

### Ventilation hatches

Type	External dimensions A x B inches (mm)	Cut-out dimensions C x D inches (mm)	Model	Number of handles
ALT2626SL	13 <sup>1</sup> / <sub>8</sub> x 13 <sup>1</sup> / <sub>8</sub> (334 x 334)	10 <sup>1</sup> / <sub>4</sub> x 10 <sup>1</sup> / <sub>4</sub> (260 x 260)	1	1
ALTD420SL	19 <sup>5</sup> / <sub>16</sub> x 12 <sup>13</sup> / <sub>16</sub> (491 x 326)	16 <sup>7</sup> / <sub>16</sub> x 9 <sup>15</sup> / <sub>16</sub> (417 x 252)	2	2
ALA3520L	16 <sup>9</sup> / <sub>16</sub> x 10 <sup>7</sup> / <sub>8</sub> (421 x 276)	13 <sup>11</sup> / <sub>16</sub> x 7 <sup>15</sup> / <sub>16</sub> (347 x 202)	1	1

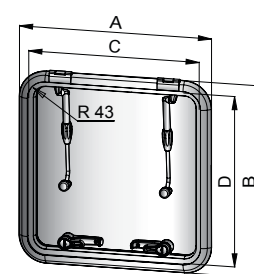
### Trapezium hatch

Type	External dimensions A x B x E inches (mm)	Cut-out dimensions C x D x F inches (mm)	Model	Number of handles
ALA46TL	21 <sup>3</sup> / <sub>8</sub> x 26 <sup>13</sup> / <sub>16</sub> x 17 <sup>5</sup> / <sub>8</sub> (543 x 681 x 447)	18 <sup>1</sup> / <sub>4</sub> x 23 <sup>7</sup> / <sub>8</sub> x 14 <sup>7</sup> / <sub>8</sub> (464 x 607 x 378)	4	2

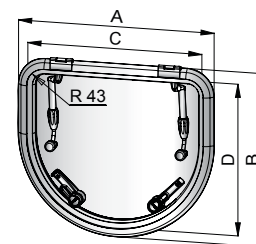
### Trapezium hatch on request

Type	External dimensions A x B x E inches (mm)	Cut-out dimensions C x D x F inches (mm)	Model	Number of handles
ALA41TL	20 <sup>3</sup> / <sub>16</sub> x 23 <sup>11</sup> / <sub>16</sub> x 16 <sup>15</sup> / <sub>16</sub> 513 x 602 x 431	17 <sup>1</sup> / <sub>16</sub> x 20 <sup>13</sup> / <sub>16</sub> x 14 <sup>1</sup> / <sub>4</sub> 434 x 528 x 362	4	2
ALA56TL	25 <sup>1</sup> / <sub>16</sub> x 25 <sup>15</sup> / <sub>16</sub> x 19 <sup>11</sup> / <sub>16</sub> 636 x 659 x 500	21 <sup>15</sup> / <sub>16</sub> x 23 <sup>1</sup> / <sub>8</sub> x 17 <sup>3</sup> / <sub>16</sub> 557 x 588 x 436	4	2
ALA80TL	35 <sup>3</sup> / <sub>8</sub> x 28 <sup>1</sup> / <sub>4</sub> x 19 <sup>11</sup> / <sub>16</sub> 898 x 718 x 500	31 <sup>5</sup> / <sub>8</sub> x 25 <sup>3</sup> / <sub>8</sub> x 19 <sup>9</sup> / <sub>16</sub> 804 x 644 x 497	4	2

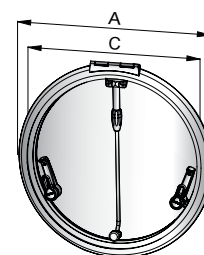
Model 1



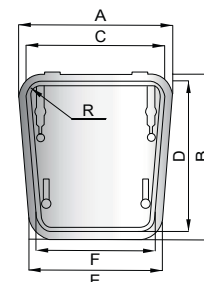
Model 2



Model 3



Model 4



# Glazing systems

## Escape and ventilation hatches

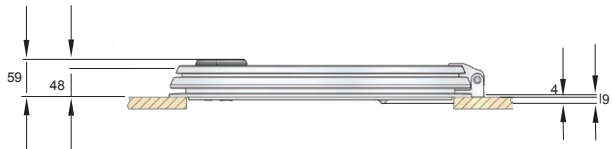
### Type LIBERO (AII)

#### Still going strong

These hatches have a hand polished and anodised aluminium frame with a  $1\frac{1}{4}$ " or  $2\frac{3}{16}$ " (32 or 55 mm) corner radius and a  $\frac{3}{8}$ " (10 mm) 'dark smoke' coloured acrylic lid. The escape and deck hatches come with adjusters allowing the lid to be held open at almost any angle up to 90°. A special friction hinge allows the ventilation hatches to remain open at any angle up to 180°. Type LIBERO is suitable for design category A, Area II.



**LIB**



Maximum height (incl. dogs)

#### Escape hatches with adjusters up to 90°

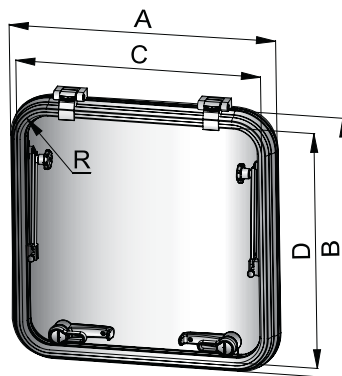
Type	External dimensions A x B inches (mm)	Cut-out dimensions C x D inches (mm)	Cut-out radius R (mm)	Number of handles
LIB6232L	26 <sup>3</sup> / <sub>4</sub> x 26 <sup>3</sup> / <sub>4</sub> (680 x 680)	24 <sup>7</sup> / <sub>16</sub> x 24 <sup>7</sup> / <sub>16</sub> (620 x 620)	32	2
LIB6255L	26 <sup>3</sup> / <sub>4</sub> x 26 <sup>3</sup> / <sub>4</sub> (680 x 680)	24 <sup>7</sup> / <sub>16</sub> x 24 <sup>7</sup> / <sub>16</sub> (620 x 620)	55	2
LIB5032L	22 <sup>1</sup> / <sub>16</sub> x 22 <sup>1</sup> / <sub>16</sub> (560 x 560)	19 <sup>11</sup> / <sub>16</sub> x 19 <sup>11</sup> / <sub>16</sub> (500 x 500)	32	2
LIB5055L	22 <sup>1</sup> / <sub>16</sub> x 22 <sup>1</sup> / <sub>16</sub> (560 x 560)	19 <sup>11</sup> / <sub>16</sub> x 19 <sup>11</sup> / <sub>16</sub> (500 x 500)	55	2
LIB4155L	18 <sup>1</sup> / <sub>2</sub> x 18 <sup>1</sup> / <sub>2</sub> (470 x 470)	16 <sup>1</sup> / <sub>8</sub> x 16 <sup>1</sup> / <sub>8</sub> (410 x 410)	55	2

#### Deck hatches with adjusters up to 90°

Type	External dimensions A x B inches (mm)	Cut-out dimensions C x D inches (mm)	Cut-out radius R (mm)	Number of handles
LIB3732L	22 <sup>1</sup> / <sub>16</sub> x 16 <sup>5</sup> / <sub>16</sub> (560 x 430)	19 <sup>11</sup> / <sub>16</sub> x 14 <sup>9</sup> / <sub>16</sub> (500 x 370)	32	2
LIB3755L	22 <sup>1</sup> / <sub>16</sub> x 16 <sup>5</sup> / <sub>16</sub> (560 x 430)	19 <sup>11</sup> / <sub>16</sub> x 14 <sup>9</sup> / <sub>16</sub> (500 x 370)	55	2
LIB3232L	20 <sup>1</sup> / <sub>16</sub> x 14 <sup>15</sup> / <sub>16</sub> (510 x 380)	17 <sup>11</sup> / <sub>16</sub> x 12 <sup>5</sup> / <sub>8</sub> (450 x 320)	32	2
LIB3255L	20 <sup>1</sup> / <sub>16</sub> x 14 <sup>15</sup> / <sub>16</sub> (510 x 380)	17 <sup>11</sup> / <sub>16</sub> x 12 <sup>5</sup> / <sub>8</sub> (450 x 320)	55	2

#### Ventilation hatches with friction hinge up to 180°

Type	External dimensions A x B inches (mm)	Cut-out dimensions C x D inches (mm)	Cut-out radius R (mm)	Number of handles
LIB3432L	15 <sup>3</sup> / <sub>4</sub> x 10 <sup>1</sup> / <sub>16</sub> (400 x 255)	13 <sup>3</sup> / <sub>8</sub> x 7 <sup>43</sup> / <sub>64</sub> (340 x 195)	32	1
LIB2032L	10 <sup>1</sup> / <sub>4</sub> x 10 <sup>1</sup> / <sub>4</sub> (260 x 260)	7 <sup>7</sup> / <sub>8</sub> x 7 <sup>7</sup> / <sub>8</sub> (200 x 200)	32	1





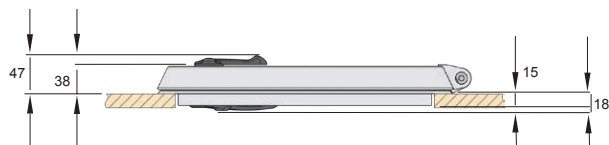


# Escape and ventilation hatches

## Type MAGNUS (AI)

### Heavy duty ocean hatch

MAGNUS hatches have a satin sheen anodised frame profile with a 3/8" (10 mm) thick 'dark smoke' coloured acrylic and are designed for ocean use, design category A, area I. Because of the friction hinges, these hatches can remain open at any angle up to 180°. They have a ventilation position and can be locked completely watertight from the inside and outside.



Maximum height (incl. dogs)

**MAG**

### Escape hatches

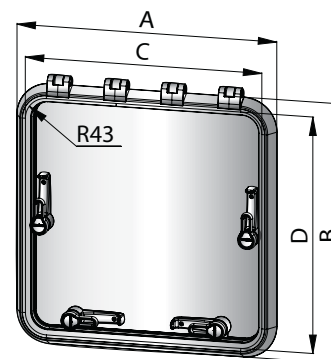
Type	External dimensions A x B inches (mm)	Cut-out dimensions C x D inches (mm)	Number of handles
MAG6363SL	26 <sup>3</sup> / <sub>4</sub> x 26 <sup>3</sup> / <sub>4</sub> (679 x 679)	24 <sup>1</sup> / <sub>16</sub> x 24 <sup>1</sup> / <sub>16</sub> (627 x 627)	4
MAG5151SL	22 <sup>3</sup> / <sub>16</sub> x 22 <sup>3</sup> / <sub>16</sub> (559 x 559)	19 <sup>15</sup> / <sub>16</sub> x 19 <sup>15</sup> / <sub>16</sub> (507 x 507)	4
MAG4747SL	20 <sup>9</sup> / <sub>16</sub> x 20 <sup>9</sup> / <sub>16</sub> (522 x 522)	18 <sup>1</sup> / <sub>2</sub> x 18 <sup>1</sup> / <sub>2</sub> (470 x 470)	2

### Deck hatches

Type	External dimensions A x B inches (mm)	Cut-out dimensions C x D inches (mm)	Number of handles
MAG4242SL	18 <sup>1</sup> / <sub>16</sub> x 18 <sup>1</sup> / <sub>16</sub> (473 x 473)	16 <sup>9</sup> / <sub>16</sub> x 16 <sup>9</sup> / <sub>16</sub> (421 x 421)	2
MAG5038SL	22 x 16 <sup>1</sup> / <sub>4</sub> (559 x 429)	19 <sup>15</sup> / <sub>16</sub> x 14 <sup>13</sup> / <sub>16</sub> (507 x 377)	2
MAG4633SL	20 <sup>1</sup> / <sub>16</sub> x 14 <sup>15</sup> / <sub>16</sub> (509 x 379)	18 x 12 <sup>7</sup> / <sub>8</sub> (457 x 327)	2

### Ventilation hatches

Type	External dimensions A x B inches (mm)	Cut-out dimensions C x D inches (mm)	Number of handles
MAG2626SL	12 <sup>5</sup> / <sub>16</sub> x 12 <sup>5</sup> / <sub>16</sub> (312 x 312)	10 <sup>1</sup> / <sub>4</sub> x 10 <sup>1</sup> / <sub>4</sub> (260 x 260)	1
MAA3520L	15 <sup>1</sup> / <sub>16</sub> x 10 (399 x 254)	13 <sup>1</sup> / <sub>16</sub> x 7 <sup>15</sup> / <sub>16</sub> (347 x 202)	2



VETUS strongly advises against using MAGNUS hatches as an A1 escape hatch in the underside of a multihull. Due to the flexible nature of these type of vessels, water tightness cannot be guaranteed unless the hatch is installed on a flat and inflexible structure.



# Glazing systems

## Escape and ventilation hatches

### FGH(F) Series (AII)

#### Stylish flush hatches

The FGH and the FGHF are specifically designed for new boats. Both are suitable for new builds because the need of a recess in the deck. After fitting the FGH(F), the hatch is completely recessed into the deck creating a smooth and flush look.

The FGHF differs from the FGH by its fully flush bolts and handles. Larger sizes FGHF hatches are equipped with a socket in the handle, so they can be opened from the outside with the help of a winch handle.

Type FGH (appliance location area AII) hatch is available in six sizes, while the fully flush type FGHF (also location area AII) hatch is available in four sizes. Both FGH and FGHF are made of 1/2" (12 mm) thick 'dark smoke' acrylic with a maintenance-free polished and anodized aluminum frame.



**FGH**

#### FGH Escape hatches

Type	External dimensions A x B inches (mm)	Cut-out dimensions C x D inches (mm)	Number of handles
FGH6363	27 <sup>9</sup> / <sub>16</sub> x 27 <sup>9</sup> / <sub>16</sub> (700 x 700)	24 <sup>11</sup> / <sub>16</sub> x 24 <sup>11</sup> / <sub>16</sub> (627 x 627)	4
FGH5151	22 <sup>13</sup> / <sub>16</sub> x 22 <sup>13</sup> / <sub>16</sub> (580 x 580)	19 <sup>15</sup> / <sub>16</sub> x 19 <sup>15</sup> / <sub>16</sub> (507 x 507)	4
FGH4633	20 <sup>3</sup> / <sub>4</sub> x 15 <sup>5</sup> / <sub>8</sub> (527 x 397)	18 x 12 <sup>7</sup> / <sub>8</sub> (457 x 327)	2
FGH5139	22 <sup>11</sup> / <sub>16</sub> x 18 <sup>3</sup> / <sub>16</sub> (577 x 462)	19 <sup>15</sup> / <sub>16</sub> x 15 <sup>7</sup> / <sub>16</sub> (507 x 392)	2

#### FGH Deck hatches

Type	External dimensions A x B inches (mm)	Cut-out dimensions C x D inches (mm)	Number of handles
FGH2626	13 x 13 (330 x 330)	10 <sup>1</sup> / <sub>4</sub> x 10 <sup>1</sup> / <sub>4</sub> (260 x 260)	1
FGH4444	20 <sup>1</sup> / <sub>4</sub> x 20 <sup>1</sup> / <sub>4</sub> (515 x 515)	17 <sup>3</sup> / <sub>8</sub> x 17 <sup>3</sup> / <sub>8</sub> (442 x 442)	3

#### FGHF Deck hatches

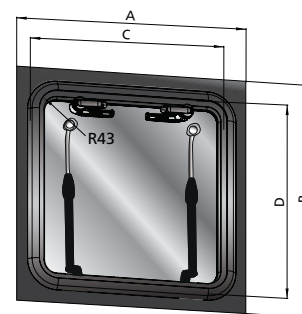
**NEW!**

Type	External dimensions A x B inches (mm)	Cut-out dimensions C x D inches (mm)	Number of handles
FGHF5151	22 <sup>13</sup> / <sub>16</sub> x 22 <sup>13</sup> / <sub>16</sub> (580 x 580)	19 <sup>15</sup> / <sub>16</sub> x 19 <sup>15</sup> / <sub>16</sub> (507 x 507)	4
FGHF6363	27 <sup>9</sup> / <sub>16</sub> x 27 <sup>9</sup> / <sub>16</sub> (700 x 700)	24 <sup>11</sup> / <sub>16</sub> x 24 <sup>11</sup> / <sub>16</sub> (627 x 627)	4

#### FGHF Deck hatches

**NEW!**

Type	External dimensions A x B inches (mm)	Cut-out dimensions C x D inches (mm)	Number of handles
FGHF2626	13 x 13 (330 x 330)	10 <sup>1</sup> / <sub>4</sub> x 10 <sup>1</sup> / <sub>4</sub> (260 x 260)	1
FGHF4444	20 <sup>1</sup> / <sub>4</sub> x 20 <sup>1</sup> / <sub>4</sub> (515 x 515)	17 <sup>3</sup> / <sub>8</sub> x 17 <sup>3</sup> / <sub>8</sub> (442 x 442)	3



**NEW!**



**FGHF**





# Escape and ventilation hatches

## Type HCM - Hatch trims with mosquito screen

### Neat finish and protection against insects

The complete range of hatches can be supplied with an adjustable depth trim complete with mosquito screen. These white synthetic trims are designed to cover the space between the hatch and the headlining inside the boat. The depth of the flange can be cut to size to suit the thickness of the deck. The integral and hinged mosquito screen can be easily removed to facilitate cleaning.

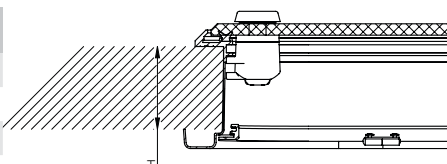
Type	Hatch
HCM23	PLA23L
HCM30	PLA30L
HCM32	PLA32L
HCM34	PLA34L
HCM40	PLA40L
HCM45	PLA45L
HCM50	PLA50L

Type	Hatches		
HCM2626	MAG2626SL	ALT2626SL	FGH(F)2626
HCM4242	MAG4242SL	ALT4242SL	
HCM4444			FGH(F)4444
HCM4633	MAG4633SL	ALT4633SL	
HCM4747	MAG4747SL	ALT4747SL	
HCM5038	MAG5038SL	ALT5038SL	
HCM5139			FGH5139
HCM5151	MAG5151SL	ALT5151SL	FGH(F)5151
HCM6363	MAG6363SL	ALT6363SL	FGH(F)6363

Type	Hatch
HCMD420	ALTD420SL
HCMD520	ALTD520SL
HCMR420	ALTR420SL
HCMR520	ALTR520SL

Type	Hatch
HCM2020	LIB2032L
HCM3420	LIB3432L
HCM4141	LIB4155L
HCM4532	LIB3255L
HCM5037	LIB3755L
HCM5050	LIB5055L
HCM6262	LIB6255L

Deck thickness H inches (mm)	
PLANUS	1 <sup>9</sup> / <sub>16</sub> - 2 <sup>1</sup> / <sub>2</sub> (40 - 64)
ALTUS	1 <sup>3</sup> / <sub>4</sub> - 2 <sup>13</sup> / <sub>16</sub> (44 - 72)
FGH(F)	3 <sup>1</sup> / <sub>16</sub> - 4 <sup>1</sup> / <sub>8</sub> (78 - 105)
MAGNUS	1 <sup>5</sup> / <sub>16</sub> - 2 <sup>9</sup> / <sub>16</sub> (24 - 65)
LIBERO	9 <sup>1</sup> / <sub>16</sub> - 2 <sup>1</sup> / <sub>8</sub> (15 - 54)



**HCM**



## Type HMB

### Swipe to your ideal cabin condition

The HMB is a mosquito screen and roller blind in-one. Designed to go unnoticed on your hatch and fitted with an easily adjustable spring to manually reset the tension of the screens. Suitable for the hatches mentioned in the overview.

Type	Suitable for hatch
HMB2626	ALT2626SL / MAG2626SL / FGH(F)2626
HMB4242	ALT4242SL / MAG4242SL
HMB4444	FGH(F)4444
HMB4633	ALT4633SL / MAG4633SL
HMB5038	ALT5038SL / MAG5038SL
HMB5139	FGH5139

