

# LITHIUM-ION BATTERY DATASHEET

## UL1642 CERTIFIED CELLS

AVAILABLE IN:

**50Ah**  
24V, 36V

Group 31 drop-in replacement



## MORE POWER IN LESS SPACE

The Xantrex Lithium-Ion Phosphate (LiFePO4) battery uses UL1642 certified cells. Equipped with redundant safety features, it is the safest in the market today. Specifically designed to withstand the harsh operating environments of mobile and marine applications, the battery lasts up to 4,000 cycles compared to a traditional lead acid or AGM battery, which typically lasts 400-500 cycles. It offers exceptional power density and is also available with a heating blanket option if the installation is outside the main cabin.

**Sleep Mode :** Xantrex Lithium-Ion Phosphate batteries self-discharge at 12.5% State of Charge (SOC) per month during regular use. After 10 consecutive days of inactivity, the battery switches to a low power mode, reducing the self-discharge rate to 3% SOC per month. Any charging activity will reactivate the battery, resetting the 10-day counter. This extends the battery life during periods of non-use.

- ★ Internal BMS - reduces footprint
- ⚡ High continuous discharge current allows large loads to be powered
- 📊 Cell Balancing - extends lifetime of battery
- 📱 Bluetooth Connection to the Xantrex App to show the battery status
- 📦 Parallel stacking ability
- 🌙 Sleep mode - Extends Battery life during periods of non-use
- ✔ Grade A cells provide high cycle life

### APPLICATIONS:



**10 YEAR WARRANTY<sup>2</sup>**

[www.xantrex.com](http://www.xantrex.com)  
CUSTOMER CARE: 1.800.670.0707

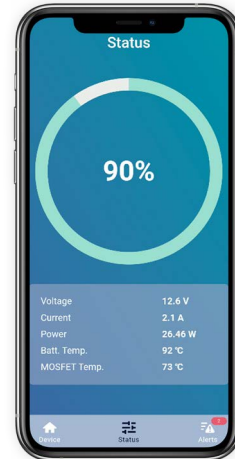


AVAILABLE NOW

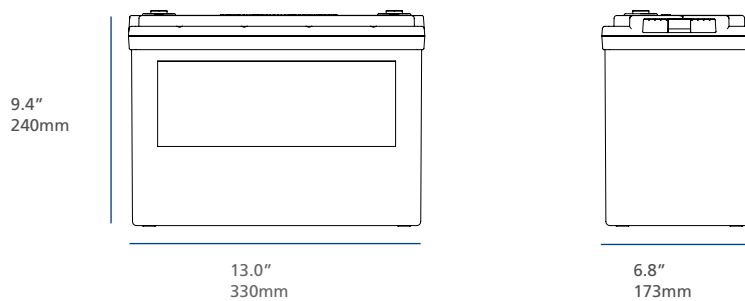
## XANTREX APP

- Connect via smartphone
- Monitor battery

SCAN QR CODE TO DOWNLOAD ON



## 24V AND 36V 50AH DIMENSIONS



## BATTERY SPECIFICATIONS

	24V 50AH LITHIUM-ION BATTERY	36V 50AH LITHIUM-ION BATTERY
Part Number	886-0050-24	886-0050-36
Battery Voltage	24V	36V
Nominal Capacity	50Ah	50Ah
Nominal Voltage	25.6V	38.4V
Nominal Watt Hours	1280Wh	1920Wh
Internal Impedence	≤ 30mΩ @ 1kHz AC	≤ 30mΩ @ 1kHz AC
Charge Voltage	29.2V	43.8V
Recommended Float Charge Voltage	27.6V	41.4V
Maximum Discharge Current	50A	80A
Pulse Discharge Current	< 170A for 3 Seconds	< 170A for 3 Seconds
Discharge Cut-off Voltage	20V	30V
Cycle Life to 80% Health	4000 Cycles	4000 Cycles

## ENVIRONMENTAL

	24V 50AH LITHIUM-ION BATTERY	36V 50AH LITHIUM-ION BATTERY
Charging Temperature Range	0 - 55°C (32°F - 131°F)	0 - 55°C (32°F - 131°F)
Discharging Temperature Range	-20 - 65°C (-4°F - 149°F)	-20 - 65°C (-4°F - 149°F)
Storage Period 3 Months	-10 - 45°C (14 - 113°F) 5-75%RH	-10 - 45°C (14 - 113°F) 5-75%RH
Storage Period 6 Months	0 - 30°C (32 - 86°F) 5-75%RH	15 - 35°C (59 - 95°F) 5-75%RH

## MECHANICAL

	24V 50AH LITHIUM-ION BATTERY	36V 50AH LITHIUM-ION BATTERY
Dimensions	13.0 x 6.8 x 9.4in (330 x 173 x 240mm)	13.0 x 6.8 x 9.4in (330 x 173 x 240mm)
Weight	27.5lbs (12.5kg)	34.1lbs (15.5kg)
IP Rating	IP54	IP54
Battery Terminals	M8	M8
Mounting Orientation	Table mount only	Table mount only

## CERTIFICATION

	24V 50AH LITHIUM-ION BATTERY	36V 50AH LITHIUM-ION BATTERY
U.N. International Approval	UN/DOT 38.3 Lithium Ion	UN/DOT 38.3 Lithium Ion
UL1642 Certified Cells	File MH49498	File MH49498

Specifications are subject to change without notice.

## CONTACT

### CUSTOMER SERVICE

1.800.670.0707  
 customerservice@xantrex.com  
 Hours of operation:  
 6:30am - 4:30pm PST, Monday to Friday

 [facebook.com/Xantrex](https://facebook.com/Xantrex)

 @Xantrex

 [youtube.com/XantrexTechnology](https://youtube.com/XantrexTechnology)

### LEARN MORE ON:

[www.xantrex.com](https://www.xantrex.com)